

CANGZHOU QC HYDRAULICS CO., LTD

沧州乾程液压器材有限公司



SAE J514 STAINLESS STEEL HYDRAULIC ADAPTERS
QC HYDRAULICS IS A STAINLESS STEEL MANUFACTURER

» 2021

HEBEI CHINA 中国·河北



沧州乾程液压器材有限公司
CANGZHOU QC HYDRAULICS CO., LTD



COMPANY INTRODUCTION

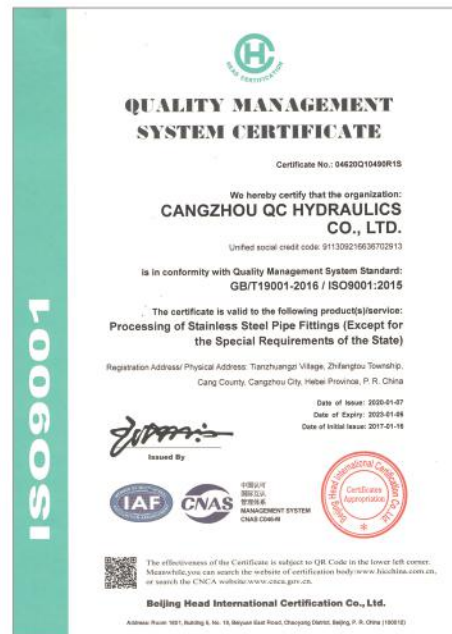
Cangzhou QC Hydraulics Co., Ltd was established in 1999, Over the years, QC Hydraulics has been developing into one of the world's most important manufacturers of stainless steel components. QC Hydraulics fittings meet or exceed SAE, JIC, DIN, ISO, JIS and international standards.

QC Hydraulics has a large products range for selection:

- SS one piece crimp hose fittings
- SS swaged hose fittings
- SS hydraulic adapters
- SS metric DIN tube fittings
- SS double & single ferrule compression tube fittings
- SS high pressure ball valves
- SS braided PTFE hose assembly
- Hydraulic hose assembly
- Material includes: AISI 304(1.4301), AISI 316L(1.4404), AISI 316Ti(1.4571)

Tube and hose fittings for heavy-duty industrial applications. Our customers trust the quality of QC Hydraulics products – and have for decades. Our fields of application:

- Chemical plants
- Hydraulic engineering and shipbuilding
- Railway technology
- Offshore technology
- Foundry and rolling mill technology
- Machine construction



Specification for Stainless Steel Adapters	P2-P11
37° Tube Fittings	P12-P75
Adapter Unions	P76-P90
NPTF Pipe Fittings	P91-P113
Adjustable and O-Ring Fittings	P114-P145
SAE Flareless Fittings	P146-P174
O-Ring Face Seal	P175-P211
SAE Flange	P212-P230

Hydraulic Tube Fitting, Pressure Ratings

The hydraulic tube fittings represented in this catalog conform to the performance requirements specified in SAE J514, SAE J518, SAE J1231, SAE J1453, SAE J1926, ISO 11926 and related standards.

Table P1. Pressure Ratings for 37° Flared Tube Ends, 37° Female Swivels, O-Ring Port Plugs and Straight Thread Stud Ends (Inch)						
Nominal Tube Size		Thread Size (Notes 1&2)	Working Pressures			
Nom SAE Dash Size	Nom Inch Tube O.D	SAE J514 Flared Tube End and SAE J1926/3/ISO 11926-3 O-Ring Port Thread Size	37 Degree Flared Tube Ends, Unions And Bulkheads	37 Degree Female Swivels	SAE J514(Inch) Port Plugs and Stud Ends Per SAE J1926/3/ISO 11926-3	
					Port Plugs/Non-Adjustable Studs	Adjustable Studs
			MPa	MPa	MPa	MPa
-2	1/8	5/16-24 UNF	34.5	34.5	34.5	34.5
-3	3/16	3/8-24 UNF	34.5	34.5	34.5	34.5
-4	1/4	7/16-20 UNF	34.5	31	34.5	31.5
-5	5/16	1/2-20 UNF	34.5	27.5	34.5	27.5
-6	3/8	9/16-18 UNF	34.5	27.5	34.5	27.5
-8	1/2	3/4-16 UNF	31	27.5	31	27.5
-10	5/8	7/8-14 UNF	24	21	24	21
-12	3/4	1-1/16-12 UN	24	21	24	21
-14	7/8	1-3/16-12 UN	21	17	21	17
-16	1	1-5/16-12 UN	21	17	21	17
-20	1 1/4	1-5/8-12 UN	17	14	17	14
-24	1 1/2	1-7/8-12 UN	14	10.5	14	10.5
-32	2	2-1/2-12 UN	10.5	8	10.5	8

1>Threads per SAE J475 Class 2A ext. Class 2B int. (Ref. ISO-263/ISO-R725)

1> Unified class 2B threads apply to swivel nuts and with minor diameter modified to class 3B limits for locknuts

PRESSURE RATING, GENERAL REFERENCE

Table P2. Pressure Ratings for Fittings With NPTF Pipe Threads and Adapter Unions				
Nominal Pipe Size		Threads Size		
Nom SAE DashSize	Nom Inch Tube O.D	Dry seal Pipe Thread (NPTF1) Male and Female	Straight Pipe Thread (NPSM2) Female Swivels	Working Pressures
				MPa
-2	1/8	1/8-27	1/8-27	34.5
-4	1/4	1/4-18	1/4-18	27.5
-6	3/8	3/8-18	3/8-18	21
-8	1/2	1/2-14	1/2-14	21
-12	3/4	3/4-14	3/4-14	17
-16	1	1-11-1/2	1-11-1/2	14
-20	1 1/4	1-1/4-11-1/2	1-1/4-11-1/2	8
-24	1 1/2	1-1/2-11-1/2	1-1/2-11-1/2	7
-32	2	2-11-1/2	2-11-1/2	7

PRESSURE RATING, GENERAL REFERENCE

Table P3. Pressure Rating for ORFS Males Tube Ends, Female Swivels and Straight Thread Stud Ends (Inch)						
Nominal Tube Size		Thread Size (Notes 1&2)		Working Pressures		
Nom SAE Dash Size	Nom Inch Tube O.D	SAE J1453 ORFS Tube End	SAE J1926/2/ISO 11926-2 O-Ring Port Thread Size	ORFS Tube Ends, Unions And Bulkheads	Heavy Duty Stud Ends Per SAE J1453, J1926/2/ISO 11926-2	
					Non-Adjustable Studs	Adjustable Studs
				MPa	MP a(3)	MPa(3)
-4	1/4	9/16-18 UNF	7/16-20 UNF	41.3	63	40
-6	3/8	11/16-16 UNF	9/16-18 UNF	41.3	63	40
-8	1/2	13/16-16 UNF	3/4-16 UNF	41.3	63	40
-10	5/8	1-14 UNF	7/8-14 UNF	41.3	63	40
-12	3/4	1-3/16-12 UN	1-1/16-12 UN	41.3	40	40
-16	1	1-7/16-12 UN	1-5/16-12 UN	34.5	40	31.5
-20	1 1/4	1-11/16-12 UN	1-5/8-12 UN	27.5	25	25
-24	1 1/2	2-12 UN	1-7/8-12 UN	20.7	25	20

1> Threads per SAE J475 Class 2A ext. Class 2B int. (Ref. ISO-263/ISO-R725)

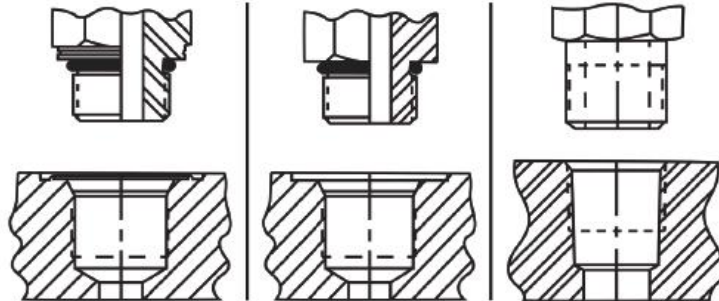
2> Unified class 2B threads apply to swivel nuts and with minor diameter modified to class 3B limits for locknuts

3> MPa ratings for J1926/2/ISO 11926-2 stud ends are rationalized values as published in those standards.

PRESSURE RATING, GENERAL REFERENCE

SAE J1926/1 Port Detail (ISO 11926)

Thread, Conformance Specifications, and Use



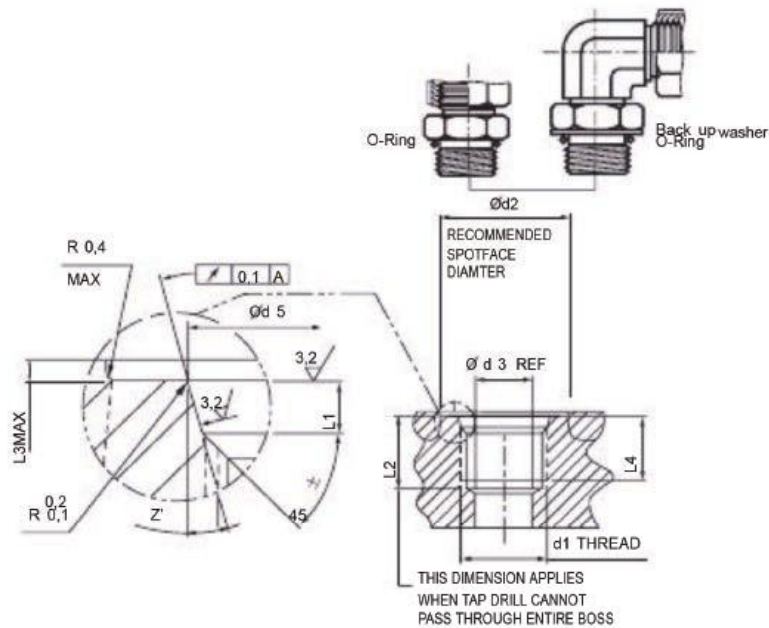
Port Description	British Standard Pipe Parallel (BSPP) Flat Face Port	Metric Straight Thread Flat Face Port	Metric Straight Thread O-Ring Port	SAE Straight Thread O-Ring Port	NPTF-Dryseal American Standard Pipe
Thread Type	ISO 228-1 BS 2779	ISO 261 Metric Fine	ISO 261 Metric Fine	ISO 263 ANSI B1.1.Unified	ANSI B1.20.3
ISO No.	1197***	9974***	6149	11926**	
SAE No.			J2244	J1926	J476
DIN No.	3852-2 Form X or Y	3852-1 Form X or Y			

* O-ring with retaining ring sealing is included in ISO1179only.

** To be published.

*** Being revised.

PRESSURE RATING, GENERAL REFERENCE



Thread size ANSI B1.1 (ISO 263)	d2 dia. ³⁾	d3 dia. min.	D5 dia 0.05	L1 0.02	L2 min.	L3 max.	L4 Full Thread	Z° 1°	Assembly Torque
in	mm	Mm	mm	mm	mm	mm	mm	deg	Nm
5/16-24 UNF-2B	17	1.6	9.15	2.1	12	1.6	10	12°	
3/8-24 UNF-2B	19	3.5	10.75	2.1	12	1.6	10	12°	
7/16-20 UNF-2B	21	4.5	12.45	2.6	14.0	1.6	11.5	12°	21
1/2-20 UNF-2B	23	6.0	14.05	2.6	14.0	1.6	11.5	12°	37
9/16-18 UNF-2B	25	7.5	15.70	2.7	15.5	1.6	12.7	12°	47
3/4-16 UNF-2B	30	10.0	20.65	2.7	17.5	2.4	14.3	15°	81
7/8-14 UNF-2B	34	12.5	24	3.5	20.0	2.4	16.7	15°	141
1.1/16-12 UN-2B	41	16.0	29.2	3.5	23.0	2.4	19.0	15°	189
1.3/16-12 UN-2B	45	18	32.4	3.5	23	2.4	19.0	15°	
1.5/16-12 UN-2B	49	21.0	35.55	3.5	23.0	3.2	19.0	15°	284
1.5/8-12 UN-2B	58	27.0	43.55	3.5	23.0	3.2	19.0	15°	347
1.7/8-12 UN-2B	65	33.0	49.9	3.5	23.0	3.2	19.0	15°	425
2.1/2-12 UN-2B	88	45	65.75	3.5	23.0	3.2	19.0	15°	

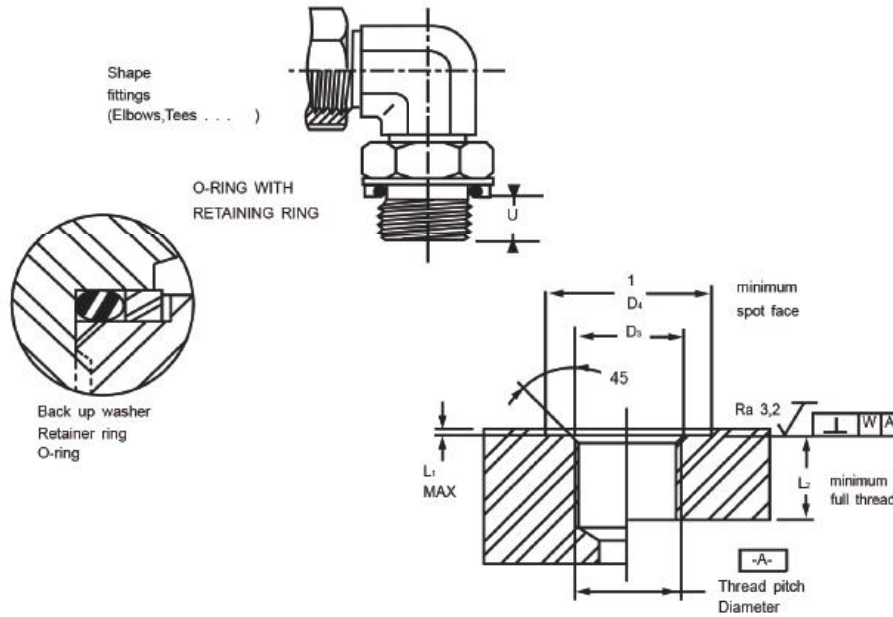
PRESSURE RATING, GENERAL REFERENCE

BSPP threads

BSPP threads have a thread angle of 55° and are widely used in hydraulic applications.

The spot face surface must be square to the pitch diameter and free from longitudinal and spiral tool marks.

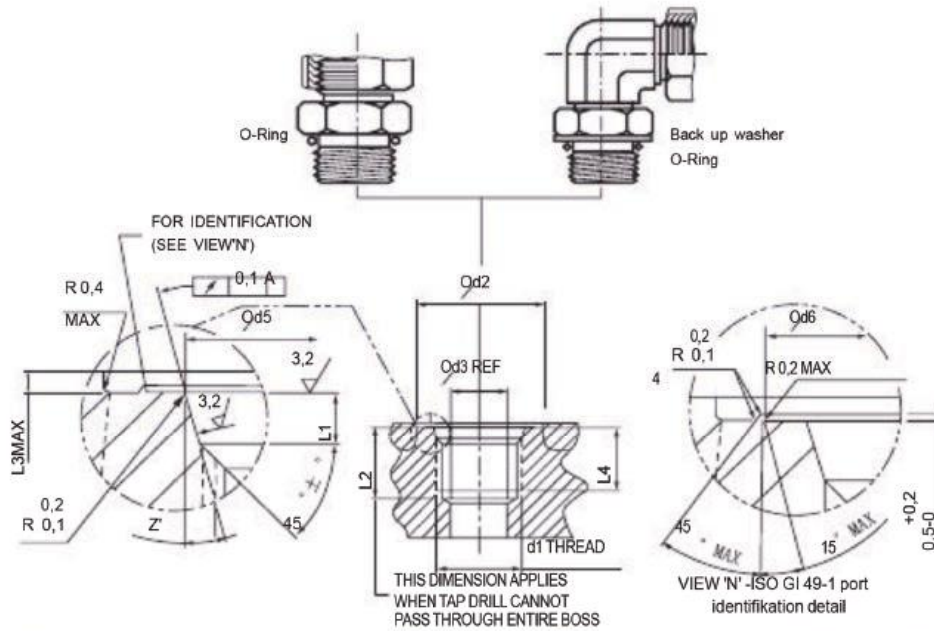
BSPP-British Standard Pipe Parallel threads are used for fittings where pressure-tight joints are not made on the thread, i.e., a peripheral seal is used.



Thread Size (ISO 228-1)	Thread per inch	Pitch	D3	D4 min		L1 max	L2 max	Assembly Torque min.	Assembly Torque max.
				Eolastic Type "E.D"	O-Ring+ retaining ring type				
		mm	mm			mm	mm	Nm	Nm
G1/8	28	0.91	9.9	15	17.2	1.0	8	20	25
G1/4	19	1.34	13.3	20	20.7	1.5	12	50	5
G3/8	19	1.34	16.8	23	24.5	2.0	12	80	90
G1/2	14	1.81	21.1	28	29.5	2.5	14	100	100
G3/4	14	1.81	26.6	33	36.9	2.5	16	200	220
G1	11	2.31	33.5	41	46.1	2.5	18	380	420
G1.1/4	11	2.31	42.2	51	54.0	2.5	20	500	550
G1.1/2	11	2.31	48.1	56	60.5	2.5	22	600	660

PRESSURE RATING, GENERAL REFERENCE

ISO 6149 Port Detail (SAE 2244-1)



Thread Size d1	d2		d5 +0.1 0	d6 +0.5 0	L1 +0.4 0	L2 min	L3 max	L4min. full thread	Z° 1°	Assembl y Torque Nm
	max	min								
M8x1.0	17	14	9.1	14	1.6	11.5	1.5	10.0	12°	10
M10x1.0	20	16	11.1	16	1.6	11.5	1.0	10.0	12°	20
M12x1.5	23	19	13.8	19	2.4	14.0	1.5	11.5	15°	35
M14x1.5 ¹⁾	25	21	15.8	21	2.4	14.0	1.5	11.5	15°	45
M16x1.5	28	24	17.8	24	2.4	15.5	1.5	13.0	15°	55
M18x1.5	30	26	19.8	26	2.4	17.0	2.0	14.5	15°	70
M22x1.5	34	29	23.8	29	2.4	18.0	2.0	15.5	15°	100
M27x2.0	40	34	29.4	34	3.1	22.0	2.0	19.0	15°	170
M30x2.0	43	38	32.4	38	3.1	22.0	2.0	19.0	15°	215
M33x2.0	49	43	35.4	43	3.1	22.0	2.5	19.0	15°	310
M42x2.0	60	52	44.4	52	3.1	22.5	2.5	19.5	15°	330
M48x2.0	66	57	50.4	57	3.1	25.0	2.5	22.0	15°	420
M60x2.0	76	67	62.4	67	3.1	27.5	2.5	24.5	15°	---

PRESSURE RATING, GENERAL REFERENCE

1 Assembly Instructions for 37 Degree Face Seal Fittings and Adapters

Table A1. Assembly Torque, 37 Tube Fitting ¹		
Tube Size	Thread Size	37 Tube/Swivel Nu Nm.
-2	5/16-24	8-9
-3	3/8-24	11-12
-4	7/16-20	15-16
-5	1/2-20	19-21
-6	9/16-18	24-28
-8	3/4-16	49-53
-10	7/8-14	77-85
-12	1 1/16-12	107-119
-14	1 3/16-12	127-140
-16	1 5/16-12	147-154
-20	1 7/8-12	172-181
-24	1 7/8-12	215-226
-32	2 1/2-12	332-350

PRESSURE RATING, GENERAL REFERENCE

Assembly Instructions for Adjustable O-Ring Port Fittings

Table A2. Assembly Torque, SAE 1926-3 Light Duty Stud Ends (Ref. SAE J514 Tube Fittings and Port Plugs) ¹⁾		
Tube Size	Thread Size	Nm.
-2	5/16-24	8-9
-3	3/8-24	11-12
-4	7/16-20	18-20
-5	1/2-20	23-26
-6	9/16-18	29-33
-8	3/4-16	49-53
-10	7/8-14	59-64
-12	1-1/16-12	93-102
-14	1-3/16-12	122-134
-16	1-5/16-12	151-166
-20	1-5/8-12	198-218
-24	1-7/8-12	209-231
-32	2-1/2-12	296-325
Table A3. Assembly Torque, SAE J1926-2 Heavy Duty Stud Ends (Ref. SAE J1453 ORFS Fittings) ¹⁾		
Tube Size	Thread Size	Nm.
-3	3/8-24	11-13
-4	7/16-20	20-22
-5	1/2-20	24-27
-6	9/16-18	33-35
-8	3/4-16	68-78
-10	7/8-14	98-110
-12	1-1/16-12	170-183
-14	1-3/16-12	230-260
-16	1-5/16-12	270-300
-20	1-5/8-12	285-380
-24	1-7/8-12	370-490



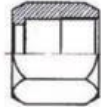
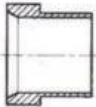
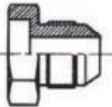
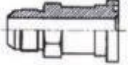


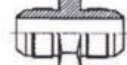






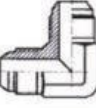
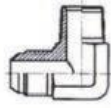
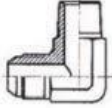
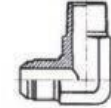
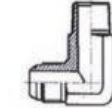




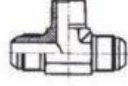
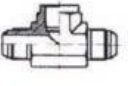
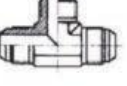
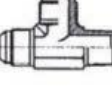
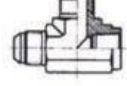
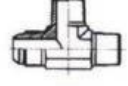
3 Assembly Inspections for NPTF Pipe Threads

Table A4. Assembly Torque, Adapter Unions and Pipe Fittings. (T.F.F.T. for Tapered Pipe Only) ¹					
Pipe Size	Adapter Unions		Pipe		
	Ft. Lbs Max..	Nm. Max.	Ft. Lbs. Max	Nm. Max	Tapered Pipe T.F.F.T. ² (Turns)
1/8	1/8-27	18	12	16	3/4-1 3/4
1/4	1/4-18	27	25	34	3/4-1 3/4
3/8	3/8-18	34	40	54	3/4-1 3/4
1/2	1/2-14	64	54	73	1/2-1 1/2
3/4	3/4-14	114	78	106	1/2-1 1/2
1	1-11 1/2	175	112	152	1/2-1 1/2
1-1/4	1 1/4-11 1/2	206	154	209	1/2-1 1/2
1-1/2	1-1/2-11 1/2	206	211	286	1/2-1 1/2
2	2-11 1/2	407	300	407	1/2-1 1/2

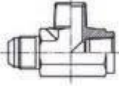
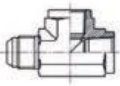
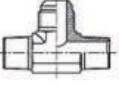
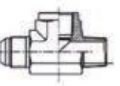
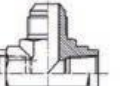
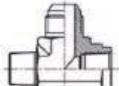
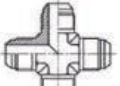
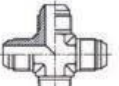



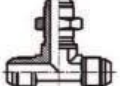
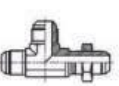


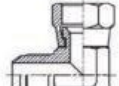
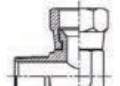




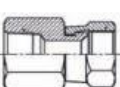


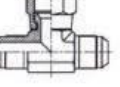
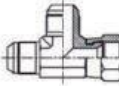
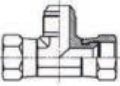
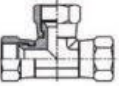
4 Assembly Instructions for O-Ring Face Seal Fittings and Adapters

Table A5. Assembly Torque, O-Ring Face Seal Fitting ¹		
Tube Size	Thread Size	Nm.
-4	9/16-18	14-16
-6	11/16-16	24-27
-8	13/16-16	43-47
-10	1-14	60-68
-12	1-3/16-12	90-95
-14	1-3/16-12	90-95
-16	1-7/16-12	125-135
-20	1-11/16-12	170-190
-24	2-12	200-225

37° TUBE FITTINGS PRODUCT INDEX

 0304 CAP NUT P14	 0306-LN BULKHEAD LOCK NUT P15	 0318 TUBE NUT P16	 0319 TUBE SLEEVE P17	 0403 (1) BORE (2) 37° MALE TUBE P18
 1700-61 (1) 37° MALE TUBE (2) O-RING FLANGE P19	 1700-62 (1) 37° MALE TUBE (2) O-RING FLANGE P20	 2403 (1) 37° MALE TUBE (2) 37° MALE TUBE P21	 2403-LH (LARGE HEX) (1) 37° MALE TUBE (2) 37° MALE TUBE P22	 2404 (1) 37° MALE TUBE (2) MALE PIPE P23
 2404-L (1) 37° MALE TUBE (2) MALE PIPE-LONG P25	 2404-LL (1) 37° MALE TUBE (2) MALE PIPE-X-LONG P26	 2405 (1) 37° MALE TUBE (2) FEMALE PIPE P27	 2406 (1) 37° FEMALE (2) 37° MALE TUBE P29	 2408 (1) MALE TUBE PLUG P31
 2500 (1), (2) 37° MALE TUBE P32	 2501 (1) 37° MALE TUBE (2) MALE PIPE P33	 2501-L (1) 37° MALE TUBE (2) MALE PIPE-LONG P35	 2501-LL (1) 37° MALE TUBE (2) MALE PIPE-X-LONG P36	 2501-LLL (1) 37° MALE TUBE (2) MALE PIPE-XXX-LONG P37
 2502 (1) 37° MALE TUBE (2) FEMALE PIPE P38	 2503 (1) 37° MALE TUBE (2) MALE PIPE P39	 2504 (1) 37° MALE TUBE (2) 37° MALE TUBE P40	 2505 (1) 37° MALE TUBE (1) FEMALE PIPE P41	 2601 (1), (2) 37° MALE TUBE (3) MALE PIPE P42
 2602 (1), (2) 37° MALE TUBE (3) FEMALE PIPE P43	 2603 (1), (2), (3) 37° MALE TUBE P44	 2605 (1), (2) 37° MALE TUBE (2) MALE PIPE P45	 2606 (1), (3) 37° MALE TUBE (2) FEMALE PIPE P46	 2607 (1) 37° MALE TUBE (2), (3) MALE PIPE P47

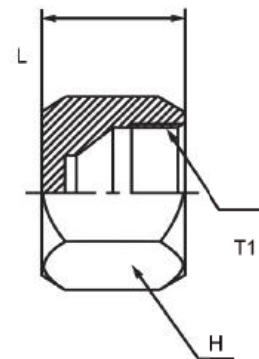
37° TUBE FITTINGS PRODUCT INDEX

 2608 (1) 37° MALE TUBE (2) FEMALE PIPE (3) MALE PIPE P48	 2609 (1) 37° MALE TUBE (2) - (3) FEMALE PIPE P49	 2610 (1), (2) MALE PIPE (3) 37° MALE TUBE P50	 2611 (1) 37° MALE TUBE (2) MALE PIPE (3) FEMALE PIPE P51	 2612 (1), (2) FEMALE PIPE (3) 37° MALE TUBE P52
 2613 (1) MALE PIPE (2) FEMALE PIPE (3) 37° MALE TUBE P53	 2650 (1)-(4) 37° MALE TUBE P54	 2651 (1)-(3) 37° MALE TUBE (4) MALE PIPE P55	 (070601) 2700-LN (1) 37° MALE TUBE (2) BULKHEAD P56	 (070701) 2701-LN (1) 37° MALE TUBE (2) BULKHEAD P57
 (070801) 2702-LN (1) 37° MALE TUBE (2) BULKHEAD P58	 2703-LN (1)&(2) 37° MALE TUBE (3) BULKHEAD P59	 (070958) 2704-LN (1)&(3) 37° MALE TUBE (2) BULKHEAD P60	 2705-LN (1) BULKHEAD (2) FEMALE PIPE P61	 2706-LN (1) BULKHEAD (2) MALE PIPE P62
 (070221) 6500 (1) 37° MALE TUBE (2) 37° FEMALE SWIVEL P63	 6501 (1) 37° FEMALE SWIVEL (2) MALE PIPE P64	 (070321) 6502 (1) 37° MALE TUBE (2) 37° FEMALE SWIVEL P65	 6503 (1) FEMALE PIPE (2) 37° FEMALE SWIVEL P66	 6504 (1) 37° MALE TUBE (2) 37° FEMALE SWIVEL P67
 6505 (1) MALE PIPE (2) 37° FEMALE SWIVEL P68	 6506 (1) 37° FEMALE SWIVEL (2) FEMALE PIPE P69	 6565 (1) 37° FEMALE SWIVEL (2) 37° FEMALE SWIVEL P70	 6566 (1) & (3) 37° FEMALE SWIVEL P71	 (070433) 6600 (1) & (2) 37° MALE TUBE (3) 37° FEMALE SWIVEL P72
 (070432) 6602 (1) & (2) 37° MALE TUBE (3) 37° FEMALE SWIVEL P73	 6603 (1) & (2) 37° FEMALE SWIVEL (3) 37° MALE TUBE P74	 6606 (1), (2) & (3) 37° FEMALE SWIVEL P75		

0304 SERIES

CAP NUT

SAE# 070112

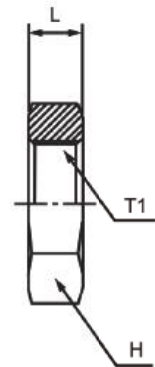


PART NUMBER	T1(UNF/UN- 2B)	L	H(INCH)
0304-C-02	5/16-24	12.7	3/8
0304-C-03	3/8-24	14.3	7/16
0304-C-04	7/16-20	15.1	9/16
0304-C-05	1/2-20	15.5	5/8
0304-C-06	9/16-18	15.9	11/16
0304-C-08	3/4-16	19.0	7/8
0304-C-10	7/8-14	21.4	1
0304-C-12	1-1/16-12	23.0	1-1/4
0304-C-14	1-3/16-12	24.6	1-3/8
0304-C-16	1-5/16-12	25.8	1-1/2
0304-C-20	1-5/8-12	27.0	2
0304-C-24	1-7/8-12	30.2	2-1/4
0304-C-32	2-1/2-12	36.5	2-7/8

FITTINGS & ADAPTERS

0306-LN SERIES
BULKHEAD LOCK NUT

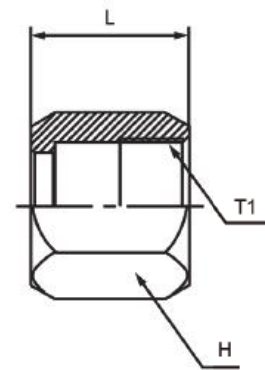
SAE# 070118



PART NUMBER	T1(UNF/UN- 2B)	L	H(INCH)
0306-02	5/16-24	5.6	9/16
0306-03	3/8-24	5.6	5/8
0306-04	7/16-20	6.4	11/16
0306-05	1/2-20	7.1	3/4
0306-06	9/16-18	6.9	13/16
0306-08	3/4-16	7.9	1
0306-10	7/8-14	9.1	1-1/8
0306-12	1-1/16-12	10.4	1-3/8
0306-14	1-3/16-12	10.4	1-1/2
0306-16	1-5/16-12	10.4	1-5/8
0306-20	1-5/8-12	10.4	1-7/8
0306-24	1-7/8-12	10.4	2-1/8
0306-32	2-1/2-12	10.4	2-3/4

0318 SERIES
TUBE NUT

SAE# 070110

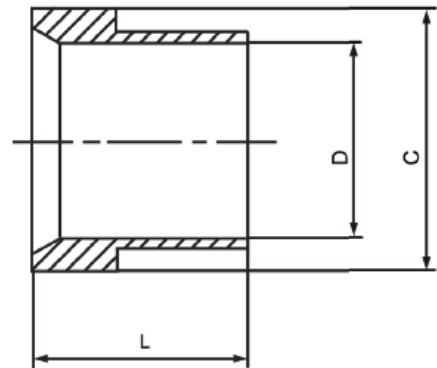


PART NUMBER	T1(UNF/UN- 2B)	L	H(INCH)
0318-02	5/16-24	14.0	3/8
0318-03	3/8-24	15.5	7/16
0318-04	7/16-20	15.8	9/16
0318-05	1/2-20	17.3	5/8
0318-06	9/16-18	18.5	11/16
0318-08	3/4-16	21.6	7/8
0318-10	7/8-14	24.9	1
0318-12	1-1/16-12	26.2	1-1/4
0318-14	1-3/16-12	27.7	1-3/8
0318-16	1-5/16-12	28.7	1-1/2
0318-20	1-5/8-12	31.2	2
0318-24	1-7/8-12	36.1	2-1/4
0318-32	2-1/2-12	44.5	2-7/8

FITTINGS & ADAPTERS

0319 SERIES
TUBE SLEEVE

SAE# 070115



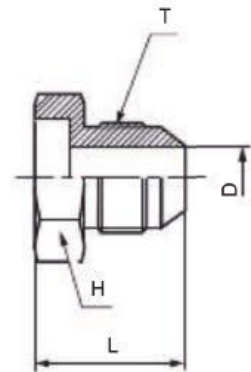
PART NUMBER	C	D	L
0319-02	6.8	3.3	8.6
0319-03	8.4	4.9	8.6
0319-04	9.7	6.5	10.4
0319-05	11.3	8.1	11.2
0319-06	12.8	9.7	12.7
0319-08	17.3	12.8	14.2
0319-10	20.2	16.0	16.8
0319-12	24.7	19.2	17.3
0319-14	27.9	22.4	19.3
0319-16	31.0	25.6	19.8
0319-20	39.0	32.0	23.1
0319-24	45.3	38.4	28.4
0319-32	61.2	51.2	30.2

0403 SERIES(BRAZE TUBE UNION)

(1) BORE

(2) 37 MALE TUBE

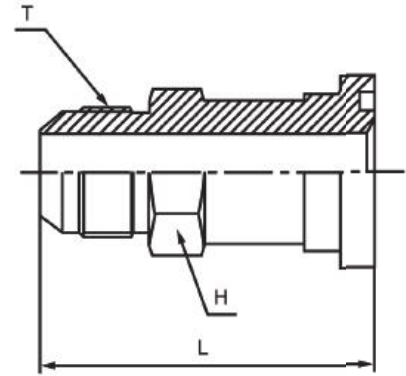
SAE#



PART NUMBER	D	T	L	H(INCH)
0403-04-04	4.4	7/16-20	20.3	1/2
0403-05-05	5.9	1/2-20	20.3	9/16
0403-06-08	9.6	3/4-16	23.9	13/16
0403-12-08	9.9	3/4-16	24.9	15/16
0403-12-10	12.3	7/8-14	27.9	15/16
0403-14-14	18.3	1-1/16-12	33.3	1-1/4
0403-16-12	15.5	1-1/16-12	32.5	1-1/4
0403-20-16	21.4	1-5/16-12	33.8	1-3/8
0403-20-20	27.4	1-5/8-12	36.8	1-11/16
0403-24-20	27.4	1-5/8-12	36.8	1-11/16
0403-24-24	33.3	1-7/8-12	41.9	2
0403-32-32	45.2	2-1/2-12	52.0	2-5/8

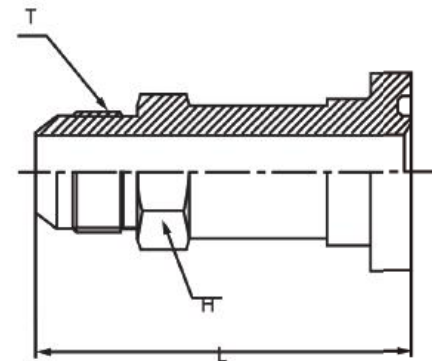
FITTINGS & ADAPTERS

1700-61 SERIES (CODE 61 FLANGE ADAPTER)
 (1) 37 MALE TUBE
 (2) O-RING FLANGE
 SAE#



PART NUMBER	T(UNF/UN-2A)	L	H(INCH)
1700-61-08-08	3/4-16	59.9	13/16
1700-61-08-12	3/4-16	58.7	13/16
1700-61-12-12	1-1/16-12	66.8	1-1/8
1700-61-12-16	1-1/16-12	66.3	1-1/8
1700-61-12-20	1-1/16-12	66.8	1-1/8
1700-61-12-24	1-1/16-12	67.8	1-1/8
1700-61-16-12	1-5/16-12	67.6	1-3/8
1700-61-16-16	1-5/16-12	67.6	1-3/8
1700-61-16-20	1-5/16-12	67.6	1-3/8
1700-61-16-24	1-5/16-12	66.8	1-3/8
1700-61-20-16	1-5/8-12	70.6	1-11/16
1700-61-20-20	1-5/8-12	68.8	1-11/16
1700-61-20-24	1-5/8-12	71.4	1-11/16
1700-61-20-32	1-5/8-12	80.3	1-11/16
1700-61-24-20	1-7/8-12	76.0	2
1700-61-24-24	1-7/8-12	76.7	2
1700-61-24-32	1-7/8-12	77.0	2
1700-61-32-24	2-1/2-12	85.1	2-5/8
1700-61-32-32	2-1/2-12	87.6	2-5/8

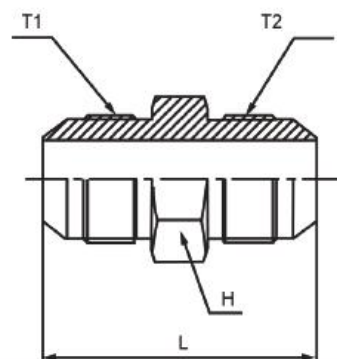
1700-62 SERIES (CODE 62 FLANGE ADAPTER)
 (1) 37 MALE TUBE
 (2) O-RING FLANGE
 SAE#



PART NUMBER	T(UNF/UN-2A)	L	H(INCH)
1700-62-08-08	3/4-16	58.9	7/8
1700-62-12-12	1-1/16-12	80.5	1-1/8
1700-62-12-16	1-1/16-12	73.4	1-1/8
1700-62-16-12	1-5/16-12	99.8	1-3/8
1700-62-16-16	1-5/16-12	95.5	1-3/8
1700-62-16-20	1-5/16-12	104.4	1-3/8
1700-62-16-24	1-5/16-12	95.5	1-3/8
1700-62-20-16	1-5/8-12	105.2	1-11/16
1700-62-20-20	1-5/8-12	97.5	1-11/16
1700-62-20-24	1-5/8-12	97.5	1-3/4
1700-62-24-20	1-7/8-12	82.0	2
1700-62-24-24	1-7/8-12	118.6	2
1700-62-32-32	2-1/2-12	169.9	2-5/8

FITTINGS & ADAPTERS

2403 SERIES
 (1)37 MALE TUBE
 (2)37MALE TUBE
 SAE# 070101



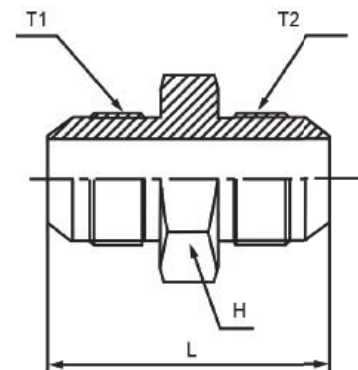
PART NUMBER	T1(UNF/UN-2A)	T2(UNF/UN-2A)	L	H(INCH)
2403-02-02	5/16-24	5/16-24	29.7	7/16
2403-03-02	3/8-24	5/16-24	30.5	7/16
2403-03-03	3/8-24	3/8-24	31.2	7/16
2403-04-02	7/16-20	5/16-24	32.3	1/2
2403-04-03	7/16-20	3/8-24	33.0	1/2
2403-04-04	7/16-20	7/16-20	34.8	1/2
2403-05-04	1/2-20	7/16-20	34.8	9/16
2403-05-05	1/2-20	1/2-20	34.8	9/16
2403-06-04	9/16-18	7/16-20	35.6	5/8
2403-06-05	9/16-18	1/2-20	35.6	5/8
2403-06-06	9/16-18	9/16-18	35.8	5/8
2403-08-04	3/4-16	7/16-20	38.4	13/16
2403-08-05	3/4-16	1/2-20	38.5	13/16
2403-08-06	3/4-16	9/16-18	38.6	13/16
2403-08-08	3/4-16	3/4-16	41.2	13/16
2403-10-04	7/8-14	7/16-20	42.4	15/16
2403-10-05	7/8-14	1/2-20	42.4	15/16
2403-10-06	7/8-14	9/16-18	42.7	15/16
2403-10-08	7/8-14	3/4-16	45.2	15/16
2403-10-10	7/8-14	7/8-14	47.8	15/16
2403-12-04	1-1/16-12	7/16-20	47.0	1-1/8
2403-12-06	1-1/16-12	9/16-18	47.0	1-1/8
2403-12-08	1-1/16-12	3/4-16	49.5	1-1/8
2403-12-12	1-1/16-12	1-1/16-12	54.9	1-1/8
2403-14-14	1-3/16-12	1-3/16-12	56.1	1-1/4
2403-16-08	1-5/16-12	3/4-16	50.8	1-3/8
2403-16-10	1-5/16-12	7/8-14	53.4	1-3/8
2403-16-12	1-5/16-12	1-1/16-12	56.0	1-3/8
2403-16-16	1-5/16-12	1-5/16-12	57.2	1-3/8
2403-20-12	1-5/8-12	1-1/16-12	59.4	1-11/16
2403-20-16	1-5/8-12	1-5/16-12	60.5	1-11/16
2403-20-20	1-5/8-12	1-5/8-12	61.7	1-11/16
2403-24-16	1-7/8-12	1-5/16-12	65.4	2
2403-24-20	1-7/8-12	1-5/8-12	65.7	2
2403-24-24	1-7/8-12	1-7/8-12	69.8	2
2403-32-16	2-1/2-12	1-5/16-12	75.7	2-5/8
2403-32-20	2-1/2-12	1-5/8-12	76.8	2-5/8
2403-32-24	2-1/2-12	1-7/8-12	80.1	2-5/8
2403-32-32	2-1/2-12	2-1/2-12	86.4	2-5/8

2403-LH SERIES(LARGE HEX UNION)

(1) 37 MALE TUBE

(2) 37 MALE TUBE

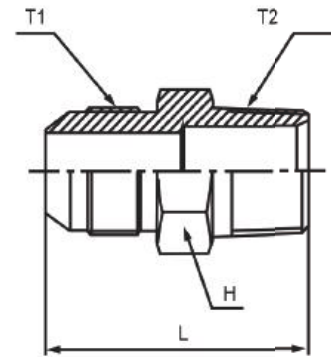
SAE# 070119



PART NUMBER	T1(UNF/UN-2A)	T2(UNF/UN-2A)	L	H(INCH)
2403-LH-04-04	7/16-20	7/16-20	34.8	11/16
2403-LH-05-05	1/2-20	1/2-20	34.8	3/4
2403-LH-06-06	9/16-18	9/16-18	35.8	13/16
2403-LH-08-08	3/4-16	3/4-16	41.2	1
2403-LH-10-10	7/8-14	7/8-14	47.8	1-1/8
2403-LH-12-12	1-1/16-12	1-1/16-12	54.9	1-3/8
2403-LH-16-16	1-5/16-12	1-5/16-12	57.2	1-5/8
2403-LH-20-20	1-5/8-12	1-5/8-12	61.7	1-7/8
2403-LH-24-24	1-7/8-12	1-7/8-12	69.8	2-1/8
2403-LH-32-32	2-1/2-12	2-1/2-12	86.4	2-5/8

FITTINGS & ADAPTERS

2404 SERIES
 (1) 37 MALE TUBE
 (2) MALE PIPE
 SAE# 070102



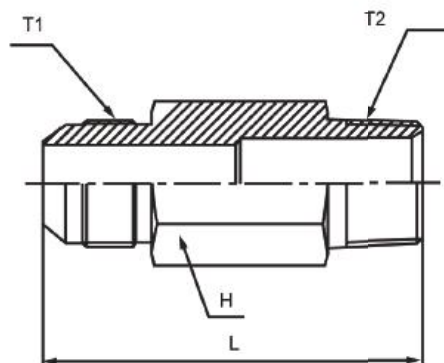
PART NUMBER	T1(UNF/UN-2A)	T2(NPTF)	L	H(INCH)
2404-02-02	5/16-24	1/8-27	28.2	7/16
2404-02-04	5/16-24	1/4-18	33.5	5/8
2404-03-02	3/8-24	1/8-27	29.0	7/16
2404-03-04	3/8-24	1/4-18	34.3	5/8
2404-04-02	7/16-20	1/8-27	31.0	1/2
2404-04-04	7/16-20	1/4-18	36.1	5/8
2404-04-06	7/16-20	3/8-18	36.1	13/16
2404-04-08	7/16-20	1/2-14	42.7	15/16
2404-04-12	7/16-20	3/4-14	44.5	1-1/8
2404-05-02	1/2-20	1/8-27	31.0	9/16
2404-05-04	1/2-20	1/4-18	36.1	5/8
2404-05-06	1/2-20	3/8-18	36.1	13/16
2404-05-08	1/2-20	1/2-14	42.7	15/16
2404-06-02	9/16-18	1/8-27	31.5	5/8
2404-06-04	9/16-18	1/4-18	36.3	5/8
2404-06-06	9/16-18	3/8-18	36.3	13/16
2404-06-08	9/16-18	1/2-14	42.9	15/16
2404-06-12	9/16-18	3/4-14	44.5	1-1/8
2404-08-02	3/4-16	1/8-27	34.0	13/16
2404-08-04	3/4-16	1/4-18	38.3	13/16
2404-08-06	3/4-16	3/8-18	38.9	13/16
2404-08-08	3/4-16	1/2-14	45.5	15/16
2404-08-12	3/4-16	3/4-14	47.0	1-1/8
2404-08-16	3/4-16	1-11-1/2	52.1	1-3/8
2404-10-04	7/8-14	1/4-18	43.2	15/16

FITTINGS & ADAPTERS

PART NUMBER	T1(UNF/UN-2A)	T2(NPTF)	L	H(INCH)
2404-10-06	7/8-14	3/8-18	43.2	15/16
2404-10-08	7/8-14	1/2-14	48.0	15/16
2404-10-12	7/8-14	3/4-14	49.5	1-1/8
2404-10-16	7/8-14	1-11-1/2	54.6	1-3/8
2404-12-06	1-1/16-12	3/8-18	47.5	1-1/8
2404-12-08	1-1/16-12	1/2-14	52.3	1-1/8
2404-12-12	1-1/16-12	3/4-14	52.3	1-1/8
2404-12-16	1-1/16-12	1-11-1/2	57.2	1-3/8
2404-12-20	1-1/16-12	1-1/4-11-1/2	59.9	1-11/16
2404-12-24	1-1/16-12	1-1/2-11-1/2	62.5	2
2404-14-08	1-3/16-12	1/2-14	53.1	1-1/4
2404-14-12	1-3/16-12	3/4-14	53.1	1-1/4
2404-14-16	1-3/16-12	1-11-1/2	57.9	1-3/8
2404-16-08	1-5/16-12	1/2-14	53.6	1-3/8
2404-16-12	1-5/16-12	3/4-14	53.6	1-3/8
2404-16-16	1-5/16-12	1-11-1/2	58.4	1-3/8
2404-16-20	1-5/16-12	1-1/4-11-1/2	61.0	1-11/16
2404-16-24	1-5/16-12	1-1/2-11-1/2	63.8	2
2404-20-12	1-5/8-12	3/4-14	56.6	1-11/16
2404-20-16	1-5/8-12	1-11-1/2	61.5	1-11/16
2404-20-20	1-5/8-12	1-1/4-11-1/2	62.2	1-11/16
2404-20-24	1-5/8-12	1-1/2-11-1/2	64.8	2
2404-20-32	1-5/8-12	2-11-1/2	69.3	2-5/8
2404-24-12	1-7/8-12	3/4-14	61.7	2
2404-24-16	1-7/8-12	1-11-1/2	66.6	2
2404-24-20	1-7/8-12	1-1/4-11-1/2	67.3	2
2404-24-24	1-7/8-12	1-1/2-11-1/2	68.1	2
2404-24-32	1-7/8-12	2-11-1/2	72.6	2-5/8
2404-32-12	2-1/2-12	3/4-14	71.9	2-5/8
2404-32-16	2-1/2-12	1-11-1/2	76.7	2-5/8
2404-32-20	2-1/2-12	1-1/4-11-1/2	77.5	2-5/8
2404-32-24	2-1/2-12	1-1/2-11-1/2	78.2	2-5/8
2404-32-32	2-1/2-12	2-11-1/2	79.0	2-5/8

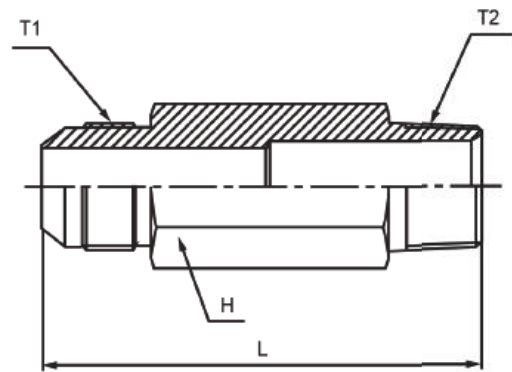
FITTINGS & ADAPTERS

2404-L SERIES(LONG CONNECT)
 (1) 37 MALE TUBE
 (2) MALE PIPE-LONG
 SAE#



PART NUMBER	T1(UNF/UN-2A)	T2(NPTF)	L	H(INCH)
2404-L-04-02	7/16-20	1/8-27	45.7	1/2
2404-L-04-04	7/16-20	1/4-18	57.2	5/8
2404-L-05-02	1/2-20	1/8-27	49.3	9/16
2404-L-05-04	1/2-20	1/4-18	57.1	5/8
2404-L-06-02	9/16-18	1/8-27	55.9	5/8
2404-L-06-04	9/16-18	1/4-18	57.2	5/8
2404-L-06-06	9/16-18	3/8-18	63.5	13/16
2404-L-06-08	9/16-18	1/2-14	74.8	15/16
2404-L-08-06	3/4-16	3/8-18	69.9	13/16
2404-L-08-08	3/4-16	1/2-14	77.2	15/16
2404-L-10-08	7/8-14	1/2-14	79.3	15/16
2404-L-12-12	1-1/16-12	3/4-14	88.9	1-1/8
2404-L-16-12	1-5/16-12	3/4-14	96.8	1-3/8
2404-L-16-16	1-5/16-12	1-11-1/2	101.6	1-3/8
2404-L-32-32	2-1/2-12	2-11-1/2	142.8	2-5/8

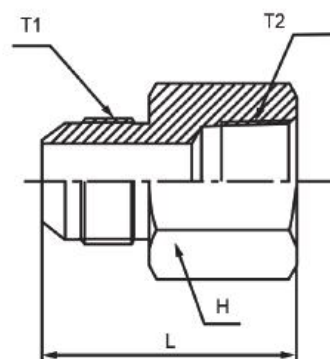
2404-LL SERIES
 (1) 37 MALE TUBE
 (2) MALE PIPE-X-LONG
 SAE#



PART NUMBER	T1(UNF/UN-2A)	T2(NPTF)	L	H(INCH)
2404-LL-04-02	7/16-20	1/8-27	65.0	1/2
2404-LL-04-04	7/16-20	1/4-18	82.6	5/8
2404-LL-05-02	1/2-20	1/8-27	71.4	9/16
2404-LL-06-04	9/16-18	1/4-18	82.6	5/8
2404-LL-06-06	9/16-18	3/8-18	99.6	13/16
2404-LL-08-06	3/4-16	3/8-18	101.6	13/16
2404-LL-08-08	3/4-16	1/2-14	106.7	15/16
2404-LL-10-08	7/8-14	1/2-14	111.1	15/16
2404-LL-12-12	1-1/16-12	3/4-14	127.0	1-1/8

FITTINGS & ADAPTERS

2405 SERIES
 (1) 37 MALE TUBE
 (2) FEMALE PIPE
 SAE# 070103

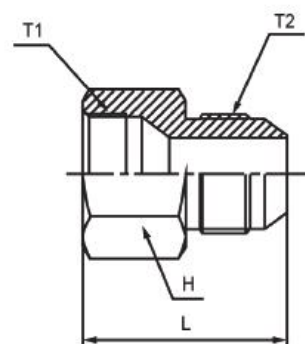


PART NUMBER	T1(UNF/UN-2A)	T2(NPTF)	L	H(INCH)
2405-02-02	5/16-24	1/8-27	28.5	9/16
2405-02-04	5/16-24	1/4-18	32.8	3/4
2405-03-02	3/8-24	1/8-27	28.7	9/16
2405-03-04	3/8-24	1/4-18	33.4	3/4
2405-04-02	7/16-20	1/8-27	30.2	9/16
2405-04-04	7/16-20	1/4-18	35.3	3/4
2405-04-06	7/16-20	3/8-18	36.8	7/8
2405-04-08	7/16-20	1/2-14	42.7	1-1/8
2405-05-02	1/2-20	1/8-27	29.7	9/16
2405-05-04	1/2-20	1/4-18	35.6	3/4
2405-05-06	1/2-20	3/8-18	36.8	7/8
2405-06-02	9/16-18	1/8-27	31.2	5/8
2405-06-04	9/16-18	1/4-18	35.6	3/4
2405-06-06	9/16-18	3/8-18	39.6	7/8
2405-06-08	9/16-18	1/2-14	42.9	1-1/8
2405-08-04	3/4-16	1/4-18	39.4	13/16
2405-08-06	3/4-16	3/8-18	39.6	7/8
2405-08-08	3/4-16	1/2-14	45.5	1-1/8
2405-08-12	3/4-16	3/4-14	47.1	1-3/8
2405-10-06	7/8-14	3/8-18	42.4	15/16
2405-10-08	7/8-14	1/2-14	48.0	1-1/8
2405-10-12	7/8-14	3/4-14	49.7	1-3/8
2405-12-08	1-1/16-12	1/2-14	52.1	1-1/8
2405-12-12	1-1/16-12	3/4-14	52.3	1-3/8
2405-12-16	1-1/16-12	1-11-1/2	58.6	1-5/8

PART NUMBER	T1(UNF/UN-2A)	T2(NPTF)	L	H(INCH)
2405-14-12	1-3/16-12	3/4-14	52.3	1-3/8
2405-16-12	1-5/16-12	3/4-14	53.9	1-3/8
2405-16-16	1-5/16-12	1-11-1/2	59.7	1-5/8
2405-16-20	1-5/16-12	1-1/4-11-1/2	62.0	2
2405-16-24	1-5/16-12	1-1/2-11-1/2	62.2	2-5/16
2405-20-16	1-5/8-12	1-11-1/2	62.7	1-11/16
2405-20-20	1-5/8-12	1-1/4-11-1/2	63.3	2
2405-20-24	1-5/8-12	1-1/2-11-1/2	63.3	2-5/16
2405-24-20	1-7/8-12	1-1/4-11-1/2	63.4	2
2405-24-24	1-7/8-12	1-1/2-11-1/2	66.6	2-5/16
2405-32-32	2-1/2-12	2-11-1/2	75.4	2-7/8

FITTINGS & ADAPTERS

2406 SERIES (STRAIGHT REDUCER)
 (1) 37 FEMALE TUBE
 (2) 37 MALE TUBE
 SAE#



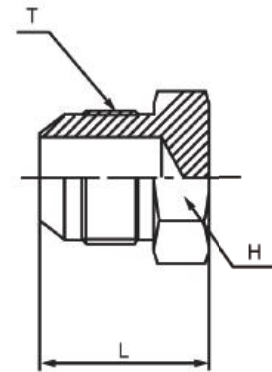
PART NUMBER	T1(UNF/UN-2A)	T2(UNF/UN-2A)	L	H(INCH)
2406-02-03	5/16-24	3/8-24	24.9	7/16
2406-03-04	3/8-24	7/16-20	28.3	9/16
2406-04-02	7/16-20	5/16-24	26.7	5/8
2406-04-03	7/16-20	3/8-24	26.6	5/8
2406-04-06	7/16-20	9/16-18	25.4	5/8
2406-05-04	1/2-20	7/16-20	30.2	5/8
2406-05-06	1/2-20	9/16-18	29.5	5/8
2406-05-08	1/2-20	3/4-16	32.2	13/16
2406-06-02	9/16-18	5/16-24	27.2	11/16
2406-06-04	9/16-18	7/16-20	30.2	11/16
2406-06-05	9/16-18	1/2-20	30.0	11/16
2406-06-06	9/16-18	9/16-18	30.1	11/16
2406-06-08	9/16-18	3/4-16	29.5	13/16
2406-06-10	9/16-18	7/8-14	32.6	15/16
2406-08-04	3/4-16	7/16-20	33.7	15/16
2406-08-05	3/4-16	1/2-20	33.3	15/16
2406-08-06	3/4-16	9/16-18	33.8	15/16
2406-08-08	3/4-16	3/4-16	36.3	15/16
2406-08-10	3/4-16	7/8-14	32.8	15/16
2406-08-12	3/4-16	1-1/16-12	36.6	1-1/8
2406-08-16	3/4-16	1-5/16-12	40.9	1-3/8
2406-10-04	7/8-14	7/16-20	37.3	1
2406-10-06	7/8-14	9/16-18	35.8	1
2406-10-08	7/8-14	3/4-16	35.8	1
2406-10-12	7/8-14	1-1/16-12	37.9	1-1/8
2406-10-16	7/8-14	1-5/16-12	41.2	1-3/8
2406-12-02	1-1/16-12	5/16-24	35.5	1-1/4
2406-12-04	1-1/16-12	7/16-20	38.1	1-1/4

FITTINGS & ADAPTERS

PART NUMBER	T1(UNF/UN-2A)	T2(UNF/UN-2A)	L	H(INCH)
2406-12-06	1-1/16-12	9/16-18	37.1	1-1/4
2406-12-08	1-1/16-12	3/4-16	39.6	1-1/4
2406-12-10	1-1/16-12	7/8-14	41.7	1-1/4
2406-12-12	1-1/16-12	1-1/16-12	44.2	1-1/4
2406-12-16	1-1/16-12	1-5/16-12	40.9	1-3/8
2406-12-20	1-1/16-12	1-5/8-12	44.2	1-11/16
2406-14-06	1-3/16-12	9/16-18	39.8	1-3/8
2406-14-08	1-3/16-12	3/4-16	42.9	1-3/8
2406-14-10	1-3/16-12	7/8-14	43.9	1-3/8
2406-14-12	1-3/16-12	1-1/16-12	45.6	1-3/8
2406-14-16	1-3/16-12	1-5/16-12	50.4	1-3/8
2406-16-04	1-5/16-12	7/16-20	46.7	1-1/2
2406-16-06	1-5/16-12	9/16-18	46.7	1-1/2
2406-16-08	1-5/16-12	3/4-16	43.7	1-1/2
2406-16-10	1-5/16-12	7/8-14	46.2	1-1/2
2406-16-12	1-5/16-12	1-1/16-12	46.2	1-1/2
2406-16-14	1-5/16-12	1-3/16-12	46.5	1-1/2
2406-16-20	1-5/16-12	1-5/8-12	58.4	1-11/16
2406-16-24	1-5/16-12	1-7/8-12	54.5	2
2406-20-06	1-5/8-12	9/16-18	42.6	2
2406-20-08	1-5/8-12	3/4-16	46.8	2
2406-20-10	1-5/8-12	7/8-14	48.6	2
2406-20-12	1-5/8-12	1-1/16-12	50.8	2
2406-20-14	1-5/8-12	1-3/16-12	51.6	2
2406-20-16	1-5/8-12	1-5/16-12	50.9	2
2406-20-24	1-5/8-12	1-7/8-12	54.5	2
2406-24-08	1-7/8-12	3/4-16	57.1	2-1/4
2406-24-10	1-7/8-12	7/8-14	59.7	2-1/4
2406-24-12	1-7/8-12	1-1/16-12	62.4	2-1/4
2406-24-16	1-7/8-12	1-5/16-12	63.6	2-1/4
2406-24-20	1-7/8-12	1-5/8-12	67.3	2-1/4
2406-24-32	1-7/8-12	1-7/8-12	60.8	2-5/8
2406-32-20	2-1/2-12	1-5/8-12	70.5	2-7/8
2406-32-24	2-1/2-12	1-7/8-12	66.4	2-7/8

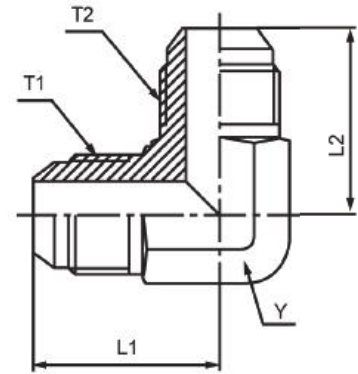
FITTINGS & ADAPTERS

2408 SERIES (PLUG)
 (1) MALE TUBE
 SAE# 070109



PART NUMBER	T(UNF/UN-2A)	L	H(INCH)
2408-02	5/16-24	17.8	7/16
2408-03	3/8-24	18.5	7/16
2408-04	7/16-20	20.3	1/2
2408-05	1/2-20	20.3	9/16
2408-06	9/16-18	21.3	5/8
2408-08	3/4-16	23.9	13/16
2408-10	7/8-14	27.9	15/16
2408-12	1-1/16-12	32.5	1-1/8
2408-14	1-3/16-12	33.3	1-1/4
2408-16	1-5/16-12	33.8	1-3/8
2408-20	1-5/8-12	36.8	1-11/16
2408-24	1-7/8-12	41.9	2
2408-32	2-1/2-12	52.1	2-5/8

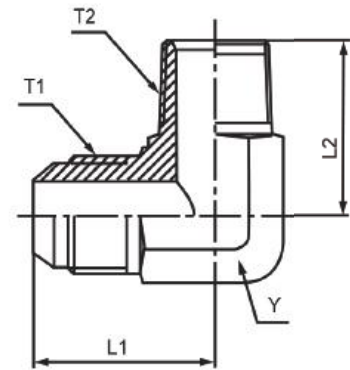
2500 SERIES (90 ELBOW)
 (1) (2) 37 MALE TUBE
 SAE# 070201



PART NUMBER	T1(UNF/UN-2A)	T2(UNF/UN-2A)	L1	L2	Y(INCH)
2500-02-02	5/16-24	5/16-24	19.6	19.6	7/16
2500-03-03	3/8-24	3/8-24	21.1	21.1	7/16
2500-04-04	7/16-20	7/16-20	22.6	22.6	7/16
2500-05-04	1/2-20	7/16-20	24.1	24.1	9/16
2500-05-05	1/2-20	1/2-20	24.1	24.1	9/16
2500-06-04	9/16-18	7/16-20	26.9	26.7	9/16
2500-06-06	9/16-18	9/16-18	26.9	26.9	9/16
2500-08-06	3/4-16	9/16-18	31.8	29.0	3/4
2500-08-08	3/4-16	3/4-16	31.8	31.8	3/4
2500-10-08	7/8-14	3/4-16	36.8	33.8	7/8
2500-10-10	7/8-14	7/8-14	36.8	36.8	7/8
2500-12-08	1-1/16-12	3/4-16	42.2	36.1	1-1/16
2500-12-10	1-1/16-12	7/8-14	42.2	39.1	1-1/16
2500-12-12	1-1/16-12	1-1/16-12	42.2	42.2	1-1/16
2500-14-14	1-3/16-12	1-3/16-12	45.7	45.7	1-5/16
2500-16-12	1-5/16-12	1-1/16-12	46.0	44.7	1-5/16
2500-16-16	1-5/16-12	1-5/16-12	46.0	46.0	1-5/16
2500-20-20	1-5/8-12	1-5/8-12	52.3	52.3	1-5/8
2500-24-24	1-7/8-12	1-7/8-12	59.2	59.2	1-7/8
2500-32-32	2-1/2-12	2-1/2-12	77.7	77.7	2-1/2

FITTINGS & ADAPTERS

2501 SERIES (90 ELBOW)
 (1) 37 MALE TUBE
 (2) MALE PIPE
 SAE# 070202

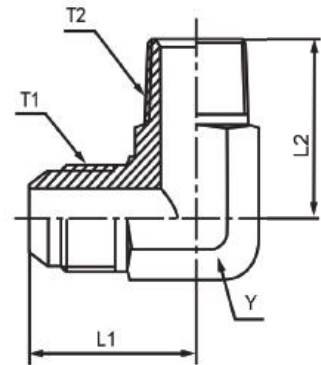


PART NUMBER	T1(UNF/UN-2A)	T2(NPTF)	L1	L2	Y(INCH)
2501-02-02	5/16-24	1/8-27	19.6	18.3	7/16
2501-03-02	3/8-24	1/8-27	21.1	18.3	7/16
2501-04-01	7/16-20	1/16-27	22.6	19.8	7/16
2501-04-02	7/16-20	1/8-27	22.6	19.8	7/16
2501-04-04	7/16-20	1/4-18	26.7	27.7	9/16
2501-04-06	7/16-20	3/8-18	28.5	31.0	3/4
2501-04-08	7/16-20	1/2-14	30.7	37.3	7/8
2501-04-12	7/16-20	3/4-14	31.8	40.4	1-1/16
2501-05-02	1/2-20	1/8-27	24.1	19.8	9/16
2501-05-04	1/2-20	1/4-18	26.7	27.7	9/16
2501-05-06	1/2-20	3/8-18	28.5	31.0	3/4
2501-05-08	1/2-20	1/2-14	30.7	37.3	7/8
2501-06-02	9/16-18	1/8-27	26.9	22.9	9/16
2501-06-04	9/16-18	1/4-18	26.9	27.7	9/16
2501-06-06	9/16-18	3/8-18	29.0	31.0	3/4
2501-06-08	9/16-18	1/2-14	31.0	37.3	7/8
2501-06-12	9/16-18	3/4-14	33.3	40.4	1-1/16
2501-08-02	3/4-16	1/8-27	31.8	26.2	3/4
2501-08-04	3/4-16	1/4-18	31.8	31.0	3/4
2501-08-06	3/4-16	3/8-18	31.8	31.0	3/4
2501-08-08	3/4-16	1/2-14	33.8	37.3	7/8
2501-08-12	3/4-16	3/4-14	36.1	40.4	1-1/16
2501-08-16	3/4-16	1-11-1/2	38.6	50.0	1-5/16
2501-10-06	7/8-14	3/8-18	36.8	32.5	7/8
2501-10-08	7/8-14	1/2-14	36.8	37.3	7/8

PART NUMBER	T1(UNF/UN-2A)	T2(NPTF)	L1	L2	H(INCH)
2501-10-12	7/8-14	3/4-14	39.1	40.4	1-1/16
2501-10-16	7/8-14	1-11-1/2	41.7	50.0	1-5/16
2501-12-06	1-1/16-12	3/8-18	42.2	35.6	1-1/16
2501-12-08	1-1/16-12	1/2-14	42.2	40.4	1-1/16
2501-12-12	1-1/16-12	3/4-14	42.2	40.4	1-1/16
2501-12-16	1-1/16-12	1-11-1/2	44.7	50.0	1-5/16
2501-12-20	1-1/16-12	1-1/4-11-1/2	50.0	60.5	1-5/8
2501-12-24	1-1/16-12	1-1/2-11-1/2	53.6	67.1	1-7/8
2501-14-12	1-3/16-12	3/4-14	45.7	42.9	1-5/16
2501-16-06	1-5/16-12	3/8-18	46.0	40.4	1-5/16
2501-16-08	1-5/16-12	1/2-14	46.0	45.2	1-5/16
2501-16-12	1-5/16-12	3/4-14	46.0	45.2	1-5/16
2501-16-16	1-5/16-12	1-11-1/2	46.0	50.0	1-5/16
2501-16-20	1-5/16-12	1-1/4-11-1/2	51.1	60.5	1-5/8
2501-16-24	1-5/16-12	1-1/2-11-1/2	54.9	67.1	1-7/8
2501-20-16	1-5/8-12	1-11-1/2	52.3	59.7	1-5/8
2501-20-20	1-5/8-12	1-1/4-11-1/2	52.3	60.5	1-5/8
2501-20-24	1-5/8-12	1-1/2-11-1/2	55.9	67.1	1-7/8
2501-24-16	1-7/8-12	1-11-1/2	59.2	65.5	1-7/8
2501-24-20	1-7/8-12	1-1/4-11-1/2	59.2	66.3	1-7/8
2501-24-24	1-7/8-12	1-1/2-11-1/2	59.2	67.1	1-7/8
2501-24-32	1-7/8-12	2-11-1/2	71.4	76.2	2-1/2
2501-32-24	2-1/2-12	1-1/2-11-1/2	77.7	75.4	2-1/2
2501-32-32	2-1/2-12	2-11-1/2	77.7	76.1	2-1/2

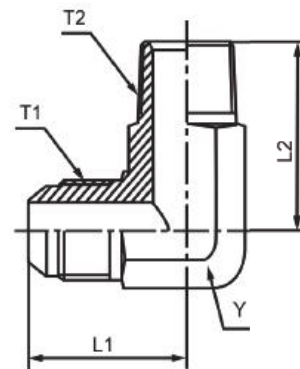
FITTINGS & ADAPTERS

2501-L SERIES (90 ELBOW)
 (1) 37 MALE TUBE
 (2) MALE PIPE-LONG
 SAE# 071502



PART NUMBER	T1(UNF/UN-2A)	T2(NPTF)	L1	L2	Y(INCH)
2501-L-04-02	7/16-20	1/8-27	22.6	29.7	7/16
2501-L-04-04	7/16-20	1/4-18	26.7	36.6	9/16
2501-L-05-02	1/2-20	1/8-27	26.9	29.7	9/16
2501-L-05-04	1/2-20	1/4-18	26.7	37.6	9/16
2501-L-06-02	9/16-18	1/8-27	26.9	31.2	9/16
2501-L-06-04	9/16-18	1/4-18	26.9	39.6	9/16
2501-L-06-06	9/16-18	3/8-18	29.0	46.2	3/4
2501-L-06-08	9/16-18	1/2-14	31.0	57.2	7/8
2501-L-08-04	3/4-16	1/4-18	31.8	46.7	3/4
2501-L-08-06	3/4-16	3/8-18	31.8	45.2	3/4
2501-L-08-08	3/4-16	1/2-14	33.8	54.9	7/8
2501-L-08-12	3/4-16	3/4-14	36.1	61.9	1-1/16
2501-L-10-08	7/8-14	1/2-14	36.8	54.9	7/8
2501-L-10-12	7/8-14	3/4-14	39.1	63.0	1-1/16
2501-L-12-08	1-1/16-12	1/2-14	42.2	62.0	1-1/16
2501-L-12-12	1-1/16-12	3/4-14	42.2	61.9	1-1/16
2501-L-12-16	1-1/16-12	1-11-1/2	44.7	76.5	1-5/16
2501-L-14-12	1-3/16-12	3/4-14	45.7	65.8	1-5/16
2501-L-16-12	1-5/16-12	3/4-14	46.0	66.8	1-5/16
2501-L-16-16	1-5/16-12	1-11-1/2	46.0	76.6	1-5/16
2501-L-20-20	1-5/8-12	1-1/4-11-1/2	52.3	93.7	1-5/8
2501-L-24-24	1-7/8-12	1-1/2-11-1/2	59.2	104.4	1-7/8

2501-LL SERIES (90 ELBOW)
 (1) 37 MALE TUBE
 (2) MALE PIPE-X-LONG
 SAE# 071602



PART NUMBER	T1(UNF/UN-2A)	T2(NPTF)	L1	L2	Y(INCH)
2501-LL-04-02	7/16-20	1/8-27	22.6	32.5	7/16
2501-LL-04-04	7/16-20	1/4-18	26.7	51.6	9/16
2501-LL-05-02	1/2-20	1/8-27	24.1	41.4	9/16
2501-LL-05-04	1/2-20	1/4-18	26.7	52.3	9/16
2501-LL-06-04	9/16-18	1/4-18	26.9	52.6	9/16
2501-LL-06-06	9/16-18	3/8-18	29.0	59.4	3/4
2501-LL-06-08	9/16-18	1/2-14	31.0	72.9	7/8
2501-LL-08-06	3/4-16	3/8-18	31.8	59.4	3/4
2501-LL-08-08	3/4-16	1/2-14	33.8	72.9	7/8
2501-LL-10-08	7/8-14	1/2-14	36.8	72.9	7/8
2501-LL-12-08	1-1/16-12	1/2-14	42.2	83.3	1-1/16
2501-LL-12-12	1-1/16-12	3/4-14	42.2	83.3	1-1/16
2501-LL-14-12	1-3/16-12	3/4-14	45.7	88.9	1-5/16
2501-LL-16-12	1-5/16-12	3/4-14	46.0	98.0	1-5/16
2501-LL-16-16	1-5/16-12	1-11-1/2	46.0	102.9	1-5/16
2501-LL-20-20	1-5/8-12	1-1/4-11-1/2	52.3	125.5	1-5/8
2501-LL-24-24	1-7/8-12	1-1/2-11-1/2	59.2	141.0	1-7/8

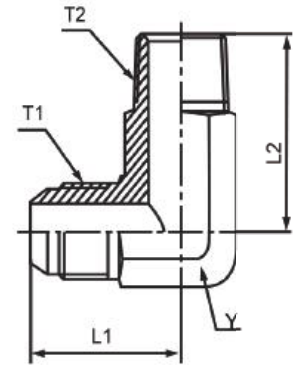
FITTINGS & ADAPTERS

2501-LLL SERIES (90 ELBOW)

(1) 37 MALE TUBE

(2) MALE PIPE-XXX-LONG

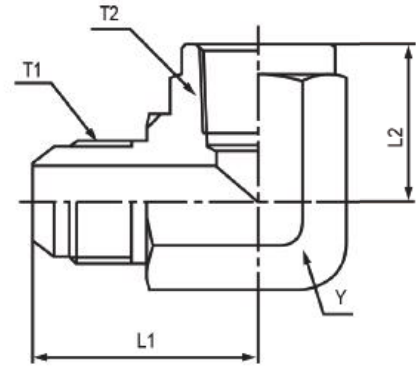
SAE#



PART NUMBER	T1(UNF/UN-2A)	T2(NPTF)	L1	L2	Y(INCH)
2501-LLL-04-02	7/16-20	1/8-27	22.6	58.7	7/16
2501-LLL-04-04	7/16-20	1/4-18	26.7	76.2	9/16
2501-LLL-06-04	9/16-18	1/4-18	26.9	77.7	9/16
2501-LLL-06-06	9/16-18	3/8-18	29.0	95.3	3/4
2501-LLL-08-06	3/4-16	3/8-18	31.8	95.3	3/4
2501-LLL-08-08	3/4-16	1/2-14	33.8	114.3	7/8
2501-LLL-10-08	7/8-14	1/2-14	36.8	114.3	7/8
2501-LLL-12-12	1-1/16-12	3/4-14	42.2	127.8	1-1/16
2501-LLL-16-16	1-5/16-12	1-11-1/2	46.0	161.0	1-5/16
2501-LLL-20-20	1-5/8-12	1-1/4-11-1/2	52.3	186.4	1-5/8

FITTINGS & ADAPTERS

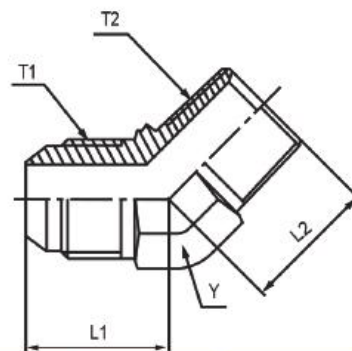
2502 SERIES (90 ELBOW)
 (1) 37 MALE TUBE
 (2) FEMALE PIPE
 SAE# 070203



PART NUMBER	T1(UNF/UN-2A)	T2(NPTF)	L1	L2	Y(INCH)
2502-02-02	5/16-24	1/8-27	25.4	16.8	9/16
2502-03-02	3/8-24	1/8-27	26.2	16.8	9/16
2502-04-02	7/16-20	1/8-27	27.4	16.8	9/16
2502-04-04	7/16-20	1/4-18	31.0	22.4	3/4
2502-04-06	7/16-20	3/8-18	32.8	25.9	7/8
2502-05-02	1/2-20	1/8-27	27.4	16.8	9/16
2502-05-04	1/2-20	1/4-18	31.0	22.4	3/4
2502-06-02	9/16-18	1/8-27	31.2	17.0	9/16
2502-06-04	9/16-18	1/4-18	31.2	22.4	3/4
2502-06-06	9/16-18	3/8-18	33.3	25.9	7/8
2502-06-08	9/16-18	1/2-14	35.8	31.2	1-1/16
2502-08-04	3/4-16	1/4-18	36.1	25.7	3/4
2502-08-06	3/4-16	3/8-18	36.1	25.9	7/8
2502-08-08	3/4-16	1/2-14	38.6	31.2	1-1/16
2502-08-12	3/4-16	3/4-14	41.9	34.5	1-5/16
2502-10-08	7/8-14	1/2-14	41.7	31.2	1-1/16
2502-12-08	1-1/16-12	1/2-14	48.0	34.3	1-1/16
2502-12-12	1-1/16-12	3/4-14	48.0	34.5	1-5/16
2502-12-16	1-1/16-12	1-11-1/2	53.9	41.2	1-5/8
2502-14-12	1-3/16-12	3/4-14	47.2	36.1	1-5/16
2502-16-12	1-5/16-12	3/4-14	55.1	35.3	1-5/16
2502-16-16	1-5/16-12	1-11-1/2	55.1	41.2	1-5/8
2502-20-20	1-5/8-12	1-1/4-11-1/2	59.2	43.2	1-7/8
2502-24-24	1-7/8-12	1-1/2-11-1/2	73.4	52.8	2-9/16
2502-32-32	2-1/2-12	2-11-1/2	83.8	60.7	2-13/16

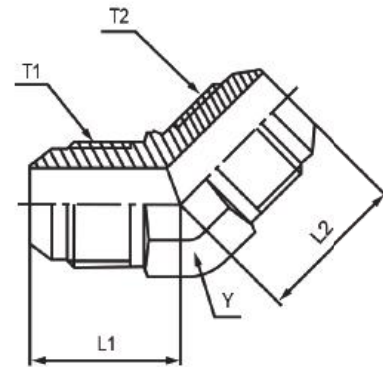
FITTINGS & ADAPTERS

2503 SERIES (45 ELBOW)
 (1) 37 MALE TUBE
 (2) MALE PIPE
 SAE# 070302



PART NUMBER	T1(UNF/UN-2A)	T2(NPTF)	L1	L2	Y(INCH)
2503-02-02	5/16-24	1/8-27	17.5	16.3	7/16
2503-03-02	3/8-24	1/8-27	17.5	16.3	7/16
2503-04-02	7/16-20	1/8-27	19.6	16.3	7/16
2503-04-04	7/16-20	1/4-18	20.8	21.8	9/16
2503-04-06	7/16-20	3/8-18	21.6	24.1	3/4
2503-04-08	7/16-20	1/2-14	22.1	29.7	7/8
2503-05-02	1/2-20	1/8-27	19.6	16.3	9/16
2503-05-04	1/2-20	1/4-18	20.8	21.8	9/16
2503-06-02	9/16-18	1/8-27	21.1	16.3	9/16
2503-06-04	9/16-18	1/4-18	21.1	21.8	9/16
2503-06-06	9/16-18	3/8-18	22.1	24.1	3/4
2503-06-08	9/16-18	1/2-14	24.9	29.7	7/8
2503-06-12	9/16-18	3/4-14	24.9	30.5	1-1/16
2503-08-04	3/4-16	1/4-18	24.9	24.1	3/4
2503-08-06	3/4-16	3/8-18	24.9	24.1	3/4
2503-08-08	3/4-16	1/2-14	25.2	29.7	7/8
2503-08-12	3/4-16	3/4-14	26.4	30.5	1-1/16
2503-10-06	7/8-14	3/8-18	28.2	24.9	7/8
2503-10-08	7/8-14	1/2-14	28.2	29.7	7/8
2503-10-12	7/8-14	3/4-14	29.5	30.5	1-1/16
2503-12-08	1-1/16-12	1/2-14	32.5	30.5	1-1/16
2503-12-12	1-1/16-12	3/4-14	32.5	30.5	1-1/16
2503-12-16	1-1/16-12	1-11-1/2	36.1	37.6	1-5/16
2503-14-12	1-3/16-12	3/4-14	36.8	33.0	1-5/16
2503-16-08	1-5/16-12	1/2-14	37.3	32.8	1-5/16
2503-16-12	1-5/16-12	3/4-14	37.3	32.8	1-5/16
2503-16-16	1-5/16-12	1-11-1/2	37.3	37.6	1-5/16
2503-16-20	1-5/16-12	1-1/4-11-1/2	39.1	42.4	1-5/8
2503-20-16	1-5/8-12	1-11-1/2	40.4	41.7	1-5/8
2503-20-20	1-5/8-12	1-1/4-11-1/2	40.4	42.4	1-5/8
2503-20-24	1-5/8-12	1-1/2-11-1/2	41.9	45.0	1-7/8
2503-24-24	1-7/8-12	1-1/2-11-1/2	45.2	45.0	1-7/8
2503-32-32	2-1/2-12	2-11-1/2	56.4	53.6	2-1/2

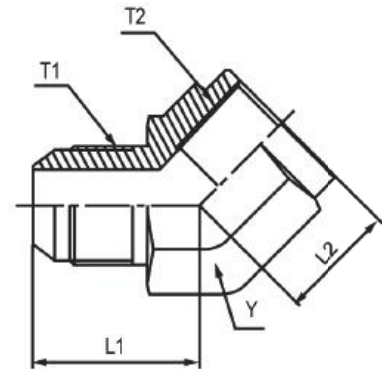
2504 SERIES (45 ELBOW)
 (1) 37 MALE TUBE
 (2) 37 MALE TUBE
 SAE#



PART NUMBER	T1(UNF/UN-2A)	T2(UNF/UN-2A)	L1	L2	Y(INCH)
2504-03-03	3/8-24	3/8-24	17.5	17.5	7/16
2504-04-04	7/16-20	7/16-20	18.3	18.3	7/16
2504-06-04	9/16-18	7/16-20	21.1	19.6	9/16
2504-06-06	9/16-18	9/16-18	21.1	21.1	9/16
2504-08-06	3/4-16	9/16-18	24.9	23.1	3/4
2504-08-08	3/4-16	3/4-16	24.9	24.9	3/4
2504-10-08	7/8-14	3/4-16	28.2	25.2	7/8
2504-10-10	7/8-14	7/8-14	28.2	28.2	7/8
2504-12-12	1-1/16-12	1-1/16-12	32.5	32.5	1-1/16
2504-16-16	1-5/16-12	1-5/16-12	37.3	37.3	1-5/16

FITTINGS & ADAPTERS

2505 SERIES (45 ELBOW)
 (1) 37 MALE TUBE
 (2) FEMALE PIPE
 SAE#



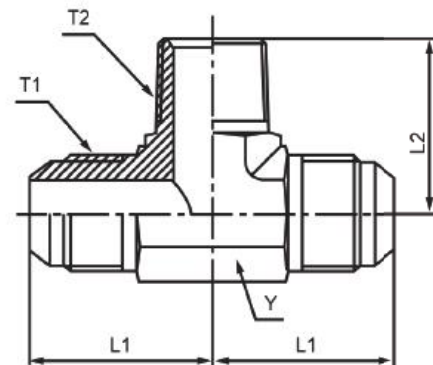
PART NUMBER	T1(UNF/UN-2A)	T2(NPTF)	L1	L2	Y(INCH)
2505-04-02	7/16-20	1/8-27	21.1	12.7	9/16
2505-04-04	7/16-20	1/4-18	21.6	15.8	3/4
2505-06-04	9/16-18	1/4-18	22.1	17.5	3/4
2505-06-06	9/16-18	3/8-18	22.4	19.1	7/8
2505-08-06	3/4-16	3/8-18	25.2	19.1	7/8
2505-08-08	3/4-16	1/2-14	26.4	23.9	1-1/16
2505-10-08	7/8-14	1/2-14	32.5	23.1	1-1/16
2505-12-12	1-1/16-12	3/4-14	36.1	25.4	1-5/16
2505-16-16	1-5/16-12	1-11-1/2	39.1	28.5	1-5/8

2601 SERIES (TEE)

(1) (2) 37 MALE TUBE

(3) MALE PIPE

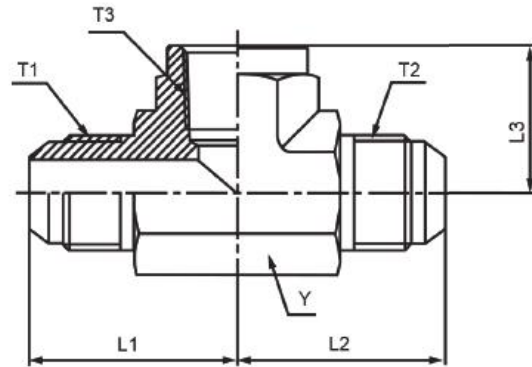
SAE# 070425



PART NUMBER	T1(UNF/UN-2A)	T2(NPTF)	L1	L2	Y(INCH)
2601-02-02-02	5/16-24	1/8-27	19.6	18.3	7/16
2601-03-03-02	3/8-24	1/8-27	21.1	18.3	7/16
2601-04-04-02	7/16-20	1/8-27	22.6	19.8	7/16
2601-04-04-04	7/16-20	1/4-18	26.7	27.7	9/16
2601-04-04-06	7/16-20	3/8-18	28.5	31.0	3/4
2601-05-05-02	1/2-20	1/8-27	24.1	19.8	9/16
2601-05-05-04	1/2-20	1/4-18	26.7	27.7	9/16
2601-06-06-02	9/16-18	1/8-27	26.9	22.9	9/16
2601-06-06-04	9/16-18	1/4-18	26.9	27.7	9/16
2601-06-06-06	9/16-18	3/8-18	29.0	31.0	3/4
2601-06-06-08	9/16-18	1/2-14	31.0	37.4	7/8
2601-08-08-06	3/4-16	3/8-18	31.8	31.0	3/4
2601-08-08-08	3/4-16	1/2-14	33.8	37.3	7/8
2601-10-10-08	7/8-14	1/2-14	36.8	37.3	7/8
2601-12-12-08	1-1/16-12	1/2-14	42.2	40.4	1-1/16
2601-12-12-12	1-1/16-12	3/4-14	42.2	40.4	1-1/16
2601-14-14-12	1-3/16-12	3/4-14	45.7	42.9	1-5/16
2601-16-16-12	1-5/16-12	3/4-14	46.0	45.2	1-5/16
2601-16-16-16	1-5/16-12	1-11-1/2	46.0	50.0	1-5/16
2601-20-20-20	1-5/8-12	1-1/4-11-1/2	52.3	60.5	1-5/8
2601-24-24-24	1-7/8-12	1-1/2-11-1/2	59.2	67.1	1-7/8
2601-32-32-32	2-1/2-12	2-11-1/2	77.7	76.2	2-1/2

FITTINGS & ADAPTERS

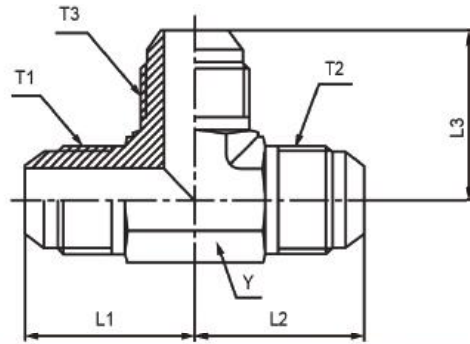
2602 SERIES (TEE)
 (1) (2) 37 MALE TUBE
 (3) FEMALE PIPE
 SAE# 070427



PART NUMBER	T1(UNF/UN-2A)	T2(UNF/UN-2A)	T3(NPTF)	L1	L2	L3	Y(INCH)
2602-02-02-02	5/16-24	5/16-24	1/8-27	25.4	25.4	16.8	9/16
2602-04-04-02	7/16-20	7/16-20	1/8-27	27.4	27.4	16.8	9/16
2602-04-04-04	7/16-20	7/16-20	1/4-18	31.0	31.0	22.4	3/4
2602-05-05-02	1/2-20	1/2-20	1/8-27	27.4	27.4	16.8	9/16
2602-06-06-04	9/16-18	9/16-18	1/4-18	31.2	31.2	22.4	3/4
2602-06-06-06	9/16-18	9/16-18	3/8-18	33.3	33.3	25.9	7/8
2602-08-06-06	3/4-16	9/16-18	3/8-18	36.1	33.3	25.9	7/8
2602-08-08-06	3/4-16	3/4-16	3/8-18	36.1	36.1	25.9	7/8
2602-08-08-08	3/4-16	3/4-16	1/2-14	38.6	38.6	31.2	1-1/16
2602-10-10-08	7/8-14	7/8-14	1/2-14	41.7	41.7	31.2	1-1/16
2602-12-12-12	1-1/16-12	1-1/16-12	3/4-14	48.0	48.0	34.5	1-5/16
2602-12-12-16	1-1/16-12	1-1/16-12	1-11/2	53.9	53.9	41.2	1-5/8
2602-14-14-12	1-3/16-12	1-3/16-12	3/4-14	47.2	47.2	36.0	1-5/16
2602-16-16-16	1-5/16-12	1-5/16-12	1-11/2	55.1	55.1	41.2	1-5/8
2602-20-20-20	1-5/8-12	1-5/8-12	1-1/4-11-1/2	59.2	59.1	47.6	1-7/8
2602-24-24-24	1-7/8-12	1-7/8-12	1-1/2-11-1/2	73.4	73.4	52.8	
2602-32-32-32	2-1/2-12	2-1/2-12	2-11/2	83.8	83.8	60.7	

FITTINGS & ADAPTERS

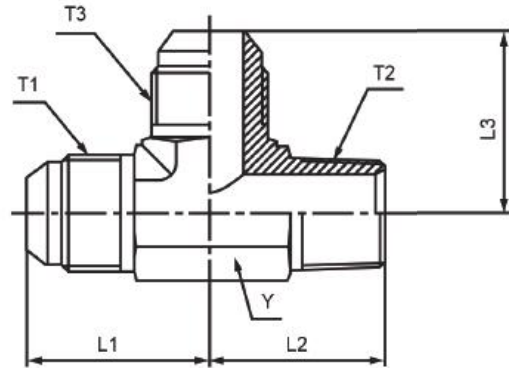
2603 SERIES (TEE)
 (1) (2) (3) 37 MALE TUBE
 SAE# 070401



PART NUMBER	T1(UNF/UN-2A)	T2(UNF/UN-2A)	T3(UNF/UN-2A)	L1	L2	L3	Y(INCH)
2603-02-02-02	5/16-24	5/16-24	5/16-24	19.6	19.6	19.6	7/16
2603-03-03-03	3/8-24	3/8-24	3/8-24	21.1	21.1	21.1	7/16
2603-04-04-04	7/16-20	7/16-20	7/16-20	22.6	22.6	22.6	7/16
2603-04-04-06	7/16-20	7/16-20	9/16-18	26.7	26.7	26.9	9/16
2603-05-05-05	1/2-20	1/2-20	1/2-20	24.1	24.1	24.1	9/16
2603-06-04-06	9/16-18	7/16-20	9/16-18	26.9	26.1	26.9	9/16
2603-06-06-06	9/16-18	9/16-18	9/16-18	26.9	26.9	26.9	9/16
2603-06-06-08	9/16-18	9/16-18	3/4-16	29.0	29.0	31.8	3/4
2603-08-08-08	3/4-16	3/4-16	3/4-16	31.8	31.8	31.8	3/4
2603-08-08-10	3/4-16	3/4-16	7/8-14	33.8	33.8	36.8	7/8
2603-10-08-08	7/8-14	3/4-16	3/4-16	36.8	33.8	33.8	7/8
2603-10-10-08	7/8-14	7/8-14	3/4-16	36.8	36.8	33.8	7/8
2603-10-10-10	7/8-14	7/8-14	7/8-14	36.8	36.8	36.8	7/8
2603-12-12-08	1-1/16-12	1-1/16-12	3/4-16	42.2	42.2	36.1	1-1/16
2603-12-12-12	1-1/16-12	1-1/16-12	1-1/16-12	42.2	42.2	42.2	1-1/16
2603-16-12-20	1-5/16-12	1-1/16-12	1-5/8-12	51.1	50.0	52.3	1-5/8
2603-16-16-12	1-5/16-12	1-5/16-12	1-1/16-12	46.0	46.0	44.7	1-5/16
2603-16-16-16	1-5/16-12	1-5/16-12	1-5/16-12	46.0	46.0	46.0	1-5/16
2603-16-16-20	1-5/16-12	1-5/16-12	1-5/8-12	51.1	51.1	52.3	1-5/8
2603-16-20-16	1-5/16-12	1-5/8-12	1-5/16-12	51.1	52.3	51.1	1-5/8
2603-20-16-16	1-5/8-12	1-5/16-12	1-5/16-12	52.3	51.1	51.1	1-5/8
2603-20-20-16	1-5/8-12	1-5/8-12	1-5/16-12	52.3	52.3	51.1	1-5/8
2603-20-20-20	1-5/8-12	1-5/8-12	1-5/8-12	52.3	52.3	52.3	1-5/8
2603-24-24-24	1-7/8-12	1-7/8-12	1-7/8-12	59.2	59.2	59.2	1-7/8
2603-32-32-32	2-1/2-12	2-1/2-12	2-1/2-12	77.7	77.7	77.7	2-1/2

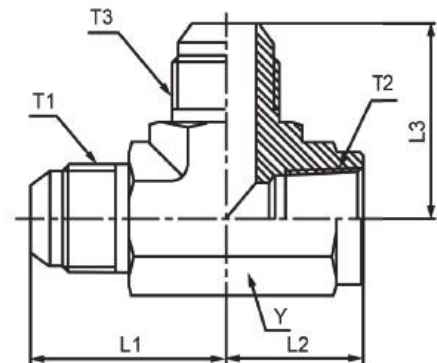
FITTINGS & ADAPTERS

2605 SERIES (TEE)
 (1) (3) 37 MALE TUBE
 (2) MALE PIPE
 SAE# 070424



PART NUMBER	T1(UNF/UN-2A)	T2(NPTF)	T3(UNF/UN-2A)	L1	L2	L3	Y(INCH)
2605-02-02-02	5/16-24	1/8-27	5/16-24	19.6	18.3	19.6	7/16
2605-03-02-03	3/8-24	1/8-27	3/8-24	21.1	18.3	21.1	7/16
2605-04-02-04	7/16-20	1/8-27	7/16-20	22.6	19.8	22.6	7/16
2605-04-04-04	7/16-20	1/4-18	7/16-20	26.7	27.7	26.7	9/16
2605-05-02-05	1/2-20	1/8-27	1/2-20	24.1	19.8	24.1	9/16
2605-05-04-05	1/2-20	1/4-18	1/2-20	26.7	27.7	26.7	9/16
2605-06-02-06	9/16-18	1/8-27	9/16-18	26.9	19.8	26.9	9/16
2605-06-04-06	9/16-18	1/4-18	9/16-18	26.9	27.7	26.9	9/16
2605-06-06-06	9/16-18	3/8-18	9/16-18	29.0	31.0	29.0	3/4
2605-06-08-06	9/16-18	1/2-14	9/16-18	29.5	37.3	29.5	7/8
2605-08-04-08	3/4-16	1/4-18	3/4-16	31.8	31.0	31.8	3/4
2605-08-06-08	3/4-16	3/8-18	3/4-16	31.8	31.0	31.8	3/4
2605-08-08-06	3/4-16	1/2-14	9/16-18	31.8	37.3	31.8	7/8
2605-08-08-08	3/4-16	1/2-14	3/4-16	33.8	37.3	33.8	7/8
2605-10-08-10	7/8-14	1/2-14	7/8-14	36.8	37.3	36.8	7/8
2605-12-08-12	1-1/16-12	1/2-14	1-1/16-12	42.2	40.4	42.2	1-1/16
2605-12-12-08	1-1/16-12	3/4-14	3/4-16	42.2	40.4	36.0	1-1/16
2605-12-12-12	1-1/16-12	3/4-14	1-1/16-12	42.2	40.4	42.2	1-1/16
2605-14-12-14	1-3/16-12	3/4-14	1-3/16-12	45.7	42.9	45.7	1-5/16
2605-16-16-16	1-5/16-12	1-11-1/2	1-5/16-12	46.0	50.0	46.0	1-5/16
2605-20-16-20	1-5/8-12	1-11-1/2	1-5/8-12	52.3	59.7	52.3	1-5/8
2605-20-20-20	1-5/8-12	1-1/4-11-1/2	1-5/8-12	52.3	60.5	52.3	1-5/8
2605-24-24-24	1-7/8-12	1-1/2-11-1/2	1-7/8-12	59.2	67.1	59.2	1-7/8
2605-32-32-32	2-1/2-12	2-11-1/2	2-1/2-12	77.7	76.2	77.7	2-1/2

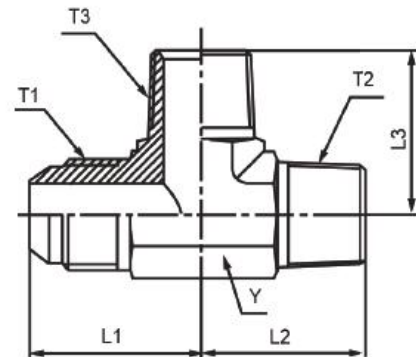
2606 SERIES (TEE)
 (1) (3) 37 MALE TUBE
 (2) FEMALE PIPE
 SAE# 070426



PART NUMBER	T1(UNF/UN-2A)	T2(NPTF)	T3(UNF/UN-2A)	L1	L2	L3	Y(INCH)
2606-03-02-03	3/8-24	1/8-27	3/8-24	26.2	16.8	26.2	9/16
2606-04-02-04	7/16-20	1/8-27	7/16-20	27.4	16.8	27.4	9/16
2606-04-04-04	7/16-20	1/4-18	7/16-20	31.0	22.4	31.0	3/4
2606-06-04-06	9/16-18	1/4-18	9/16-18	31.2	22.4	31.2	3/4
2606-06-06-06	9/16-18	3/8-18	9/16-18	33.3	25.9	33.3	7/8
2606-08-06-08	3/4-16	3/8-18	3/4-16	36.1	25.9	36.1	7/8
2606-08-08-08	3/4-16	1/2-14	3/4-16	38.6	31.2	38.6	1-1/16
2606-10-08-10	7/8-14	1/2-14	7/8-14	41.7	31.2	41.7	1-1/16
2606-12-12-12	1-1/16-12	3/4-14	1-1/16-12	48.0	34.5	48.0	1-5/16
2606-14-12-14	1-3/16-12	3/4-14	1-3/16-12	47.2	36.1	47.2	1-5/16
2606-16-16-16	1-5/16-12	1-11-1/2	1-5/16-12	55.1	41.2	55.1	1-5/8
2606-20-20-20	1-5/8-12	1-1/4-11-1/2	1-5/8-12	59.2	43.2	59.2	1-7/8
2606-24-24-24	1-7/8-12	1-1/2-11-1/2	1-7/8-12	73.1	52.8	73.1	
2606-32-32-32	2-1/2-12	2-11-1/2	2-1/2-12	83.8	60.7	83.8	

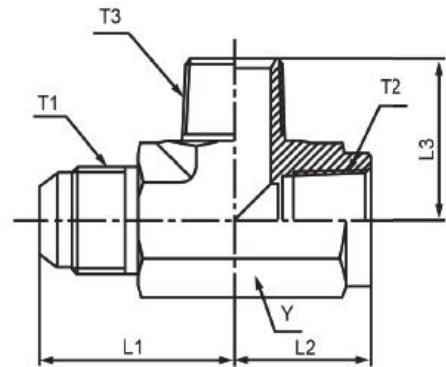
FITTINGS & ADAPTERS

2607 SERIES (TEE)
 (1) 37 MALE TUBE
 (2) (3) MALE PIPE
 SAE#



PART NUMBER	T1(UNF/UN-2A)	T2(NPTF)	T3(NPTF)	L1	L2	L3	Y(INCH)
2607-04-02-02	7/16-20	1/8-27	1/8-27	22.6	19.8	19.8	7/16
2607-06-04-04	9/16-18	1/4-18	1/4-18	26.9	27.7	27.7	9/16
2607-06-06-06	9/16-18	3/8-18	3/8-18	26.9	31.0	31.0	3/4
2607-08-08-08	3/4-16	1/2-14	1/2-14	31.8	37.3	37.3	7/8
2607-10-08-08	7/8-14	1/2-14	1/2-14	36.8	37.3	37.3	7/8
2607-12-12-12	1-1/16-12	3/4-14	3/4-14	42.2	40.4	40.4	1-1/16
2607-16-16-16	1-5/16-12	1-11/2	1-11/2	46.0	50.0	50.0	1-5/16

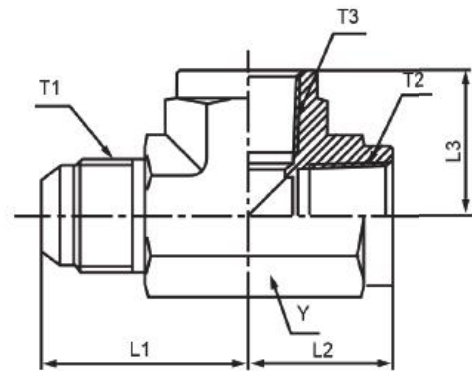
2608 SERIES (TEE)
 (1) 37 MALE TUBE
 (2) FEMALE PIPE
 (3) MALE PIPE
 SAE#



PART NUMBER	T1(UNF/UN-2A)	T2(NPTF)	T3(NPTF)	L1	L2	L3	Y(INCH)
2608-04-02-02	7/16-20	1/8-27	1/8-27	27.3	16.7	19.8	9/16
2608-04-04-04	7/16-20	1/4-18	1/4-18	31.0	22.4	27.7	3/4
2608-04-04-06	7/16-20	1/4-18	3/8-18	27.4	22.4	31.0	3/4
2608-06-04-04	9/16-18	1/4-18	1/4-18	31.2	22.4	27.7	3/4
2608-06-06-06	9/16-18	3/8-18	3/8-18	31.2	25.9	31.0	7/8
2608-08-06-06	3/4-16	3/8-18	3/8-18	36.1	25.9	31.0	7/8
2608-10-08-08	7/8-14	1/2-14	1/2-14	41.7	31.2	37.3	1-1/16
2608-12-12-12	1-1/16-12	3/4-14	3/4-14	48.0	34.5	40.4	1-5/16
2608-16-16-16	1-5/16-12	1-11-1/2	1-11-1/2	55.1	41.2	50.0	1-5/8
2608-20-20-20	1-5/8-12	1-1/4-11-1/2	1-1/4-11-1/2	59.2	43.2	60.5	1-7/8

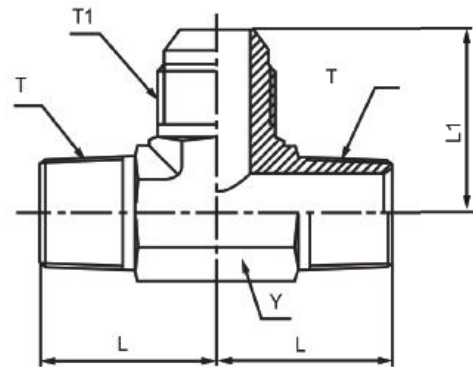
FITTINGS & ADAPTERS

2609 SERIES (TEE)
 (1) 37 MALE TUBE
 (2) (3) FEMALE PIPE
 SAE#



PART NUMBER	T1(UNF/UN-2A)	T2(NPTF)	T3(NPTF)	L1	L2	L3	Y(INCH)
2609-04-02-02	7/16-20	1/8-27	1/8-27	27.4	16.8	16.8	9/16
2609-06-04-04	9/16-18	1/4-18	1/4-18	31.2	22.4	22.4	3/4
2609-08-06-06	3/4-16	3/8-18	3/8-18	36.1	25.9	25.9	7/8
2609-10-08-08	7/8-14	1/2-14	1/2-14	41.7	31.2	31.2	1-1/16
2609-12-12-12	1-1/16-12	3/4-14	3/4-14	48.0	34.5	34.5	1-5/16
2609-16-12-08	1-5/16-12	3/4-14	1/2-14	55.1	34.5	33.3	1-5/16

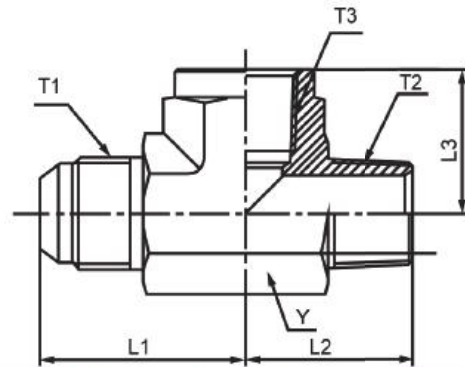
2610 SERIES (TEE)
 (1) (2) MALE PIPE
 (3) 37 MALE TUBE
 SAE#



PART NUMBER	T(NPTF)	T1(UNF/UN-2A)	L	L1	Y(INCH)
2610-04-04-04	1/4-18	7/16-20	27.7	24.1	9/16
2610-06-06-06	3/8-18	9/16-18	31.0	26.9	3/4
2610-08-08-08	1/2-14	3/4-16	37.3	31.8	7/8

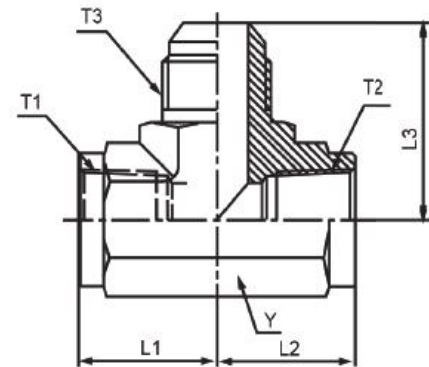
FITTINGS & ADAPTERS

2611 SERIES (TEE)
 (1) 37 MALE TUBE
 (2) MALE PIPE
 (3) FEMALE PIPE
 SAE#



PART NUMBER	T1(UNF/UN-2A)	T2(NPTF)	T3(UNF/UN-2A)	L1	L2	L3	Y(INCH)
2611-04-02-02	7/16-20	1/8-27	1/8-27	27.4	19.8	16.8	9/16
2611-04-04-02	7/16-20	1/4-18	1/8-27	27.4	27.7	16.8	9/16
2611-04-04-04	7/16-20	1/4-18	1/4-18	27.4	27.7	22.4	3/4
2611-06-04-04	9/16-18	1/4-18	1/4-18	31.2	27.7	22.4	3/4
2611-06-06-06	9/16-18	3/8-18	3/8-18	31.2	31.1	25.9	7/8
2611-08-06-06	3/4-16	3/8-18	3/8-18	36.1	31.1	25.9	7/8
2611-08-06-08	3/4-16	3/8-18	1/2-14	36.1	32.5	31.2	1-1/16
2611-08-08-08	3/4-16	1/2-14	1/2-14	36.8	37.3	31.2	1-1/16
2611-10-08-08	7/8-14	1/2-14	1/2-14	41.7	37.3	31.2	1-1/16
2611-12-12-12	1-1/16-12	3/4-14	3/4-14	48.0	40.4	34.5	1-5/16
2611-16-16-16	1-5/16-12	1-11-1/2	1-11-1/2	55.1	50.0	41.2	1-5/8

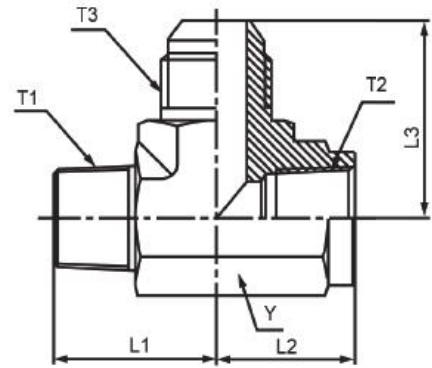
2612 SERIES (TEE)
 (1) (2) FEMALE PIPE
 (3) 37 MALE TUBE
 SAE#



PART NUMBER	T1(NPTF)	T2(NPTF)	T3(UNF/UN-2A)	L1	L2	L3	Y(INCH)
2612-02-02-04	1/8-27	1/8-27	7/16-20	16.8	16.8	27.4	9/16
2612-04-04-06	1/4-18	1/4-18	9/16-18	22.4	22.4	31.2	3/4
2612-06-06-08	3/8-18	3/8-18	3/4-16	25.9	25.9	36.1	7/8
2612-08-08-08	1/2-14	1/2-14	3/4-16	31.2	31.2	36.1	1-1/16
2612-08-08-10	1/2-14	1/2-14	7/8-14	31.2	31.2	41.7	1-1/16
2612-12-12-12	3/4-14	3/4-14	1-1/16-12	34.5	34.5	48.0	1-5/16
2612-16-16-16	1-11-1/2	1-11-1/2	1-5/16-12	41.2	41.2	55.1	1-5/8

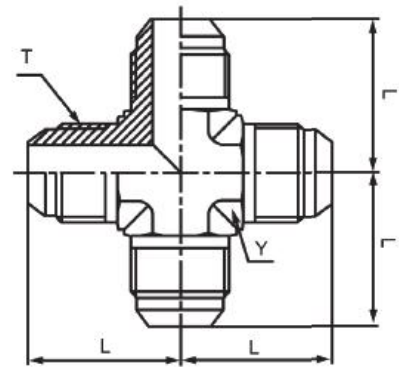
FITTINGS & ADAPTERS

2613 SERIES (TEE)
 (1) MALE PIPE
 (2) FEMALE PIPE
 (3) 37 MALE TUBE
 SAE#



PART NUMBER	T1(NPTF)	T2(NPTF)	T3(UNF/UN-2A)	L1	L2	L3	Y(INCH)
2613-02-02-04	1/8-27	1/8-27	7/16-20	19.8	16.8	27.4	9/16
2613-04-04-04	1/4-18	1/4-18	7/16-20	27.7	22.4	27.4	3/4
2613-04-04-06	1/4-18	1/4-18	9/16-18	27.7	22.4	31.2	3/4
2613-06-06-06	3/8-18	3/8-18	9/16-18	31.0	25.9	31.2	7/8
2613-06-06-08	3/8-18	3/8-18	3/4-16	31.0	25.9	36.1	7/8
2613-08-08-10	1/2-14	1/2-14	7/8-14	37.3	31.2	41.7	1-1/16
2613-12-12-12	3/4-14	3/4-14	1-1/16-12	40.4	34.5	48.0	1-5/16
2613-16-16-16	1-11-1/2	1-11-1/2	1-5/16-12	50.0	41.2	55.1	1-5/8

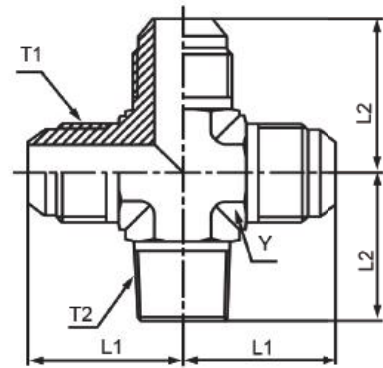
2650 SERIES (CROSS)
 (1)~(4) 37 MALE TUBE
 SAE# 070501



PART NUMBER	T(UNF/UN- 2A)	L	Y(INCH)
2650-04-04-04-04	7/16-20	22.6	7/16
2650-05-05-05-05	1/2-20	24.1	9/16
2650-06-06-06-06	9/16-18	26.9	9/16
2650-08-08-08-08	3/4-16	31.8	3/4
2650-10-10-10-10	7/8-14	36.8	7/8
2650-12-12-12-12	1-1/16-12	42.2	1-1/16
2650-14-14-14-14	1-3/16-12	45.7	1-5/16
2650-16-16-16-16	1-5/16-12	46.0	1-5/16
2650-20-20-20-20	1-5/8-12	52.3	1-5/8
2650-24-24-24-24	1-7/8-12	59.2	1-7/8
2650-32-32-32-32	2-1/2-12	77.7	2-1/2

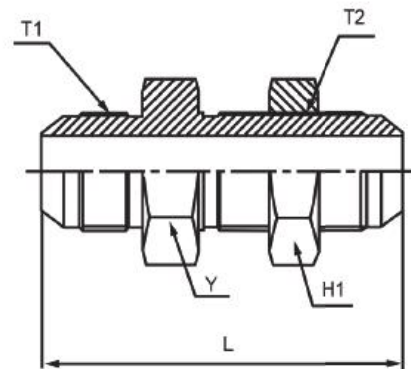
FITTINGS & ADAPTERS

2651 SERIES (CROSS)
 (1)~(3) 37 MALE TUBE
 (4) MALE PIPE
 SAE#



PART NUMBER	T1(UNF/UN-2A)	T2(NPTF)	L1	L2	Y(INCH)
2651-04-04-04-04	7/16-20	1/4-18	26.7	27.7	9/16
2651-06-06-06-04	9/16-18	1/4-18	26.9	27.7	9/16
2651-06-06-06-06	9/16-18	3/8-18	29.0	31.0	3/4
2651-08-08-08-06	3/4-16	3/8-18	31.8	31.0	3/4
2651-08-08-08-08	3/4-16	1/2-14	33.8	37.3	7/8
2651-12-12-12-12	1-1/16-12	3/4-14	42.2	40.4	1-1/16

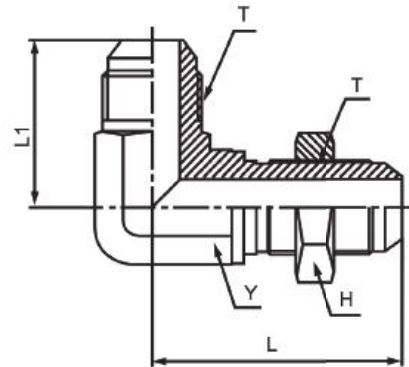
2700 SERIES
 (1) 37 MALE TUBE
 (2) BULKHEAD
 SAE# 070601



PART NUMBER	T1(UNF/UN-2A)	T2(UNF/UN-2A)	L	Y(INCH)	H1(INCH)
2700-02-02	5/16-24	5/16-24	47.5	9/16	9/16
2700-03-03	3/8-24	3/8-24	48.3	5/8	5/8
2700-04-04	7/16-20	7/16-20	52.6	11/16	11/16
2700-05-05	1/2-20	1/2-20	52.6	3/4	3/4
2700-06-04	9/16-18	7/16-20	53.3	13/16	11/16
2700-06-06	9/16-18	9/16-18	55.4	13/16	13/16
2700-08-08	3/4-16	3/4-16	62.0	1	1
2700-10-10	7/8-14	7/8-14	69.6	1-1/8	1-1/8
2700-12-12	1-1/16-12	1-1/16-12	78.5	1-3/8	1-3/8
2700-14-14	1-3/16-12	1-3/16-12	79.3	1-1/2	1-1/2
2700-16-16	1-5/16-12	1-5/16-12	79.8	1-5/8	1-5/8
2700-20-20	1-5/8-12	1-5/8-12	84.1	1-7/8	1-7/8
2700-24-24	1-7/8-12	1-7/8-12	89.4	2-1/8	2-1/8
2700-32-32	2-1/2-12	2-1/2-12	106.7	2-3/4	2-3/4

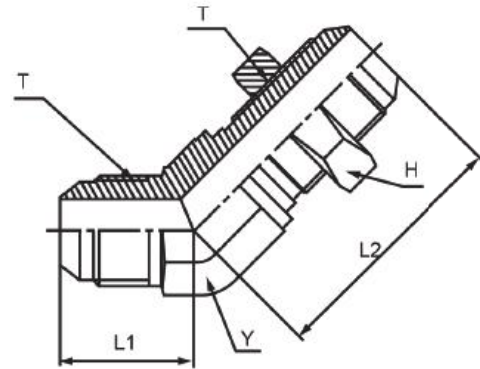
FITTINGS & ADAPTERS

2701 SERIES (90 ELBOW)
 (1) 37 MALE TUBE
 (2) BULKHEAD
 SAE# 070701



PART NUMBER	T(UNF/UN-2A)	L	L1	Y(INCH)	H(INCH)
2701-03-03	3/8-24	23.9	38.1	7/16	5/8
2701-04-04	7/16-20	24.6	40.4	7/16	11/16
2701-05-05	1/2-20	26.9	43.7	9/16	3/4
2701-06-06	9/16-18	26.9	46.0	9/16	13/16
2701-08-08	3/4-16	34.5	53.6	3/4	1
2701-10-10	7/8-14	39.6	60.7	7/8	1-1/8
2701-12-12	1-1/16-12	45.2	67.8	1-1/16	1-3/8
2701-14-14	1-3/16-12	48.8	71.1	1-5/16	1-1/2
2701-16-16	1-5/16-12	49.3	71.1	1-5/16	1-5/8
2701-20-20	1-5/8-12	55.1	79.3	1-5/8	1-7/8
2701-24-24	1-7/8-12	59.4	86.9	1-7/8	2-1/8
2701-32-32	2-1/2-12	73.4	104.4	2-1/2	2-3/4

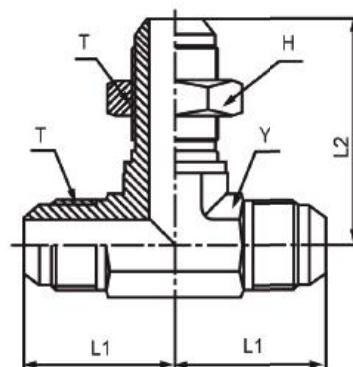
2702 SERIES (45 ELBOW)
 (1) 37 MALE TUBE
 (2) BULKHEAD
 SAE# 070801



PART NUMBER	T(UNF/UN-2A)	L1	L2	Y(INCH)	H(INCH)
2702-03-03	3/8-24	17.5	36.1	7/16	5/8
2702-04-04	7/16-20	18.3	38.9	7/16	11/16
2702-05-05	1/2-20	19.6	42.2	9/16	3/4
2702-06-06	9/16-18	21.1	42.4	9/16	13/16
2702-08-08	3/4-16	24.9	49.3	3/4	1
2702-10-10	7/8-14	28.2	55.1	7/8	1-1/8
2702-12-12	1-1/16-12	32.5	62.0	1-1/16	1-3/8
2702-16-16	1-5/16-12	37.3	65.0	1-5/16	1-5/8
2702-20-20	1-5/8-12	40.4	67.3	1-5/8	1-7/8
2702-24-24	1-7/8-12	45.2	67.8	1-7/8	2-1/8
2702-32-32	2-1/2-12	56.4	73.9	2-1/2	2-3/4

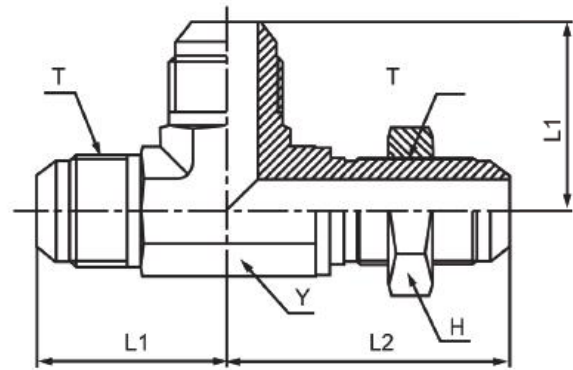
FITTINGS & ADAPTERS

2703 SERIES(TEE)
 (1)&(2) 37 MALE TUBE
 (3) BULKHEAD
 SAE# 070959



PART NUMBER	T(UNF/UN-2A)	L1	L2	Y(INCH)	H(INCH)
2703-03-03-03	3/8-24	23.9	38.1	7/16	5/8
2703-04-04-04	7/16-20	24.6	43.7	7/16	11/16
2703-05-05-05	1/2-20	26.9	43.7	9/16	3/4
2703-06-06-06	9/16-18	27.7	46.0	9/16	13/16
2703-08-08-08	3/4-16	34.5	53.4	3/4	1
2703-10-10-10	7/8-14	39.6	60.7	7/8	1-1/8
2703-12-12-12	1-1/16-12	45.2	67.8	1-1/16	1-3/8
2703-14-14-14	1-3/16-12	48.8	71.1	1-5/16	1-1/2
2703-16-16-16	1-5/16-12	49.3	71.1	1-5/16	1-5/8
2703-20-20-20	1-5/8-12	55.1	79.3	1-5/8	1-7/8
2703-24-24-24	1-7/8-12	59.4	86.9	1-7/8	2-1/8

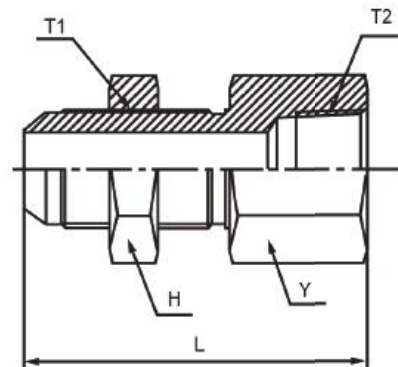
2704 SERIES(TEE)
 (1)&(3) 37 MALE TUBE
 (2) BULKHEAD
 SAE# 070958



PART NUMBER	T(UNF/UN-2A)	L1	L2	Y(INCH)	H(INCH)
2704-03-03-03	3/8-24	23.9	38.1	7/16	5/8
2704-04-04-04	7/16-20	24.6	40.4	7/16	11/16
2704-05-05-05	1/2-20	26.9	43.7	9/16	3/4
2704-06-06-06	9/16-18	27.7	46.0	9/16	13/16
2704-08-08-08	3/4-16	34.5	53.6	3/4	1
2704-10-10-10	7/8-14	39.6	60.7	7/8	1-1/8
2704-12-12-12	1-1/16-12	45.2	67.8	1-1/16	1-3/8
2704-16-16-16	1-5/16-12	49.3	71.1	1-5/16	1-5/8
2704-20-20-20	1-5/8-12	55.1	79.3	1-5/8	1-7/8

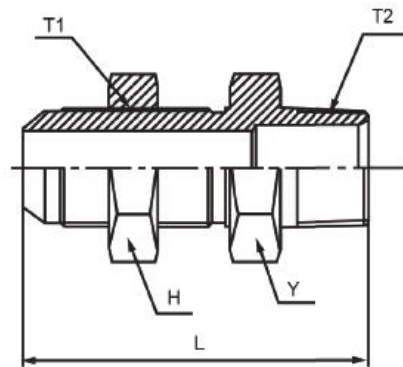
FITTINGS & ADAPTERS

2705 SERIES
 (1) BULKHEAD
 (2) FEMALE PIPE
 SAE#



PART NUMBER	T1(UNF/UN-2A)	T2(NPTF)	L	Y(INCH)	H(INCH)
2705-04-02	7/16-20	1/8-27	46.7	11/16	9/16
2705-04-04	7/16-20	1/4-18	50.8	3/4	11/16
2705-06-04	9/16-18	1/4-18	52.8	13/16	11/16
2705-06-06	9/16-18	3/8-18	55.4	7/8	13/16
2705-08-06	3/4-16	3/8-18	59.4	1	13/16
2705-08-08	3/4-16	1/2-14	66.3	1-1/8	1
2705-10-08	7/8-14	1/2-14	68.1	1-1/8	1
2705-12-12	1-1/16-12	3/4-14	74.2	1-3/8	1-3/8
2705-16-16	1-5/16-12	1-11-1/2	78.5	1-5/8	1-5/8
2705-20-20	1-5/8-12	1-1/4-11-1/2	85.6	2	1-7/8
2705-24-24	1-7/8-12	1-1/2-11-1/2	86.0	2-5/16	2-1/8

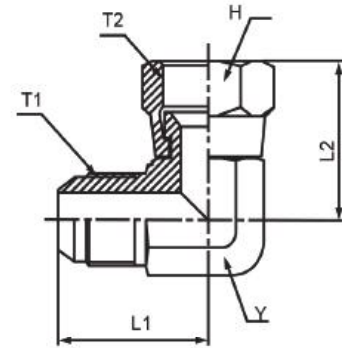
2706 SERIES
 (1) BULKHEAD
 (2) MALE PIPE
 SAE#



PART NUMBER	T1(UNF/UN-2A)	T2(NPTF)	L	Y(INCH)	H(INCH)
2706-04-02	7/16-20	1/8-27	46.7	11/16	9/16
2706-04-04	7/16-20	1/4-18	51.6	11/16	11/16
2706-06-04	9/16-18	1/4-18	55.6	13/16	11/16
2706-06-06	9/16-18	3/8-18	55.6	13/16	13/16
2706-08-06	3/4-16	3/8-18	60.5	1	13/16
2706-08-08	3/4-16	1/2-14	65.5	1	1
2706-08-12	3/4-16	3/4-14	67.9	1-1/8	1-3/8
2706-10-08	7/8-14	1/2-14	69.1	1-1/8	1
2706-12-12	1-1/16-12	3/4-14	74.2	1-3/8	1-3/8
2706-16-16	1-5/16-12	1-11-1/2	78.5	1-5/8	1-5/8
2706-20-20	1-5/8-12	1-1/4-11-1/2	82.6	1-7/8	1-7/8
2706-24-24	1-7/8-12	1-1/2-11-1/2	87.5	2	2-1/8

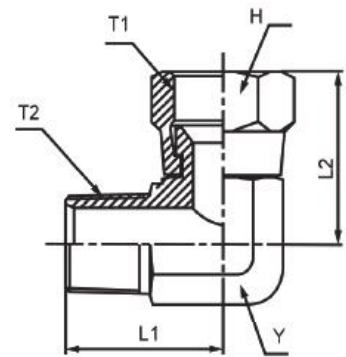
FITTINGS & ADAPTERS

6500 SERIES(90 ELBOW)
 (1) 37 MALE TUBE
 (2) 37 FEMALE SWIVEL
 SAE# 070221



PART NUMBER	T1(UNF/UN-2A)	T2(UNF/UN-2B)	L1	L2	Y(INCH)	H(INCH)
6500-02-02	5/16-24	5/16-24	19.6	24.6	7/16	7/16
6500-03-03	3/8-24	3/8-24	21.1	25.4	7/16	1/2
6500-04-04	7/16-20	7/16-20	22.6	25.4	7/16	9/16
6500-05-05	1/2-20	1/2-20	24.1	26.9	9/16	5/8
6500-05-06	1/2-20	9/16-18	26.7	31.8	9/16	11/16
6500-06-04	9/16-18	7/16-20	26.9	25.5	9/16	9/16
6500-06-06	9/16-18	9/16-18	26.9	31.8	9/16	11/16
6500-06-08	9/16-18	3/4-16	29.0	35.1	3/4	7/8
6500-08-06	3/4-16	9/16-18	31.8	31.8	3/4	11/16
6500-08-08	3/4-16	3/4-16	31.8	35.1	3/4	7/8
6500-08-10	3/4-16	7/8-14	33.8	41.3	7/8	1
6500-08-12	3/4-16	1-1/16-12	36.1	45.1	1-1/16	1-1/4
6500-10-08	7/8-14	3/4-16	36.8	39.3	7/8	7/8
6500-10-10	7/8-14	7/8-14	36.8	41.3	7/8	1
6500-12-06	1-1/16-12	9/16-18	42.2	38.1	1-1/16	11/16
6500-12-08	1-1/16-12	3/4-16	42.2	40.1	1-1/16	7/8
6500-12-10	1-1/16-12	7/8-14	42.2	42.9	1-1/16	1
6500-12-12	1-1/16-12	1-1/16-12	42.2	45.1	1-1/16	1-1/4
6500-12-16	1-1/16-12	1-5/16-12	44.7	51.3	1-5/16	1-1/2
6500-14-14	1-3/16-12	1-3/16-12	45.7	49.8	1-5/16	1-3/8
6500-16-16	1-5/16-12	1-5/16-12	46.0	51.3	1-5/16	1-1/2
6500-20-20	1-5/8-12	1-5/8-12	52.3	58.9	1-5/8	2
6500-24-24	1-7/8-12	1-7/8-12	59.2	65.6	1-7/8	2-1/4
6500-32-32	2-1/2-12	2-1/2-12	77.7	87.1	2-1/2	3

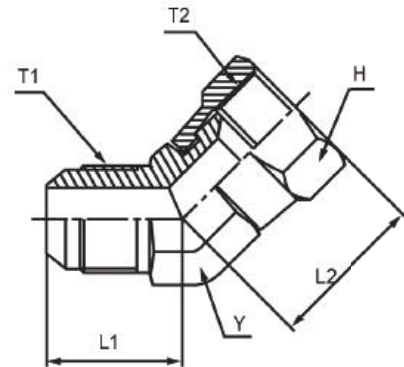
6501 SERIES(90 ELBOW)
 (1) 37 FEMALE SWIVEL
 (2) MALE PIPE
 SAE#



PART NUMBER	T1(UNF/UN-2B)	T2(NPTF)	L1	L2	Y(INCH)	H(INCH)
6501-04-02	7/16-20	1/8-27	24.6	18.3	7/16	9/16
6501-04-04	7/16-20	1/4-18	26.3	27.7	9/16	9/16
6501-04-06	7/16-20	3/8-18	29.8	31.0	3/4	9/16
6501-05-02	1/2-20	1/8-27	27.1	19.8	9/16	5/8
6501-05-04	1/2-20	1/4-18	27.1	27.7	9/16	5/8
6501-06-04	9/16-18	1/4-18	31.8	27.7	9/16	11/16
6501-06-06	9/16-18	3/8-18	31.8	31.0	3/4	11/16
6501-06-08	9/16-18	1/2-14	34.0	37.3	7/8	11/16
6501-08-06	3/4-16	3/8-18	35.1	31.0	3/4	7/8
6501-08-08	3/4-16	1/2-14	35.1	37.3	7/8	7/8
6501-08-12	3/4-16	3/4-14	39.3	40.4	1-1/16	1-1/4
6501-10-08	7/8-14	1/2-14	41.3	37.3	7/8	7/8
6501-12-12	1-1/16-12	3/4-14	45.1	40.4	1-1/16	1-1/4
6501-14-12	1-3/16-12	3/4-14	51.0	42.9	1-5/16	1-3/8
6501-16-16	1-5/16-12	1-11-1/2	51.3	50.0	1-5/16	1-1/2
6501-20-20	1-5/8-12	1-1/4-11-1/2	58.9	60.5	1-5/8	2
6501-24-24	1-7/8-12	1-1/2-11-1/2	65.5	67.1	1-7/8	2-1/4
6501-32-32	2-1/2-12	2-11-1/2	87.1	76.2	2-1/2	3

FITTINGS & ADAPTERS

6502 SERIES(45 ELBOW)
 (1) 37 MALE TUBE
 (2) 37 FEMALE SWIVEL
 SAE# 070321



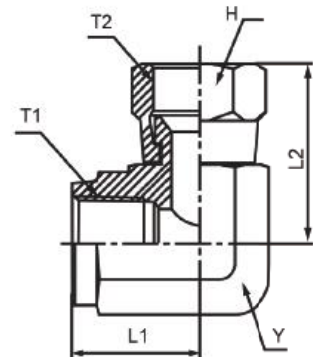
PART NUMBER	T1(UNF/UN-2A)	T2(UNF/UN-2B)	L1	L2	Y(INCH)	H(INCH)
6502-04-04	7/16-20	7/16-20	18.3	24.0	7/16	9/16
6502-05-05	1/2-20	1/2-20	19.6	25.5	9/16	5/8
6502-06-06	9/16-18	9/16-18	21.1	28.6	9/16	11/16
6502-08-08	3/4-16	3/4-16	24.9	32.6	3/4	7/8
6502-10-08	7/8-14	7/8-14	28.2	34.0	7/8	7/8
6502-10-10	7/8-14	7/8-14	28.2	34.7	7/8	1
6502-12-12	1-1/16-12	1-1/16-12	32.5	38.7	1-1/16	1-1/4
6502-14-14	1-3/16-12	1-3/16-12	36.8	41.7	1-5/16	1-3/8
6502-16-16	1-5/16-12	1-5/16-12	37.3	45.0	1-5/16	1-1/2
6502-20-20	1-5/8-12	1-5/8-12	40.4	51.8	1-5/8	2
6502-24-24	1-7/8-12	1-7/8-12	45.2	56.6	1-7/8	2-1/4
6502-32-32	2-1/2-12	2-1/2-12	56.4	75.2	2-1/2	3

6503 SERIES

(1) FEMALE PIPE

(2) 37 FEMALE SWIVEL

SAE#



PART NUMBER	T1(NPTF)	T2(UNF/UN-2B)	L1	L2	Y(INCH)	H(INCH)
6503-04-04	1/4-18	7/16-20	22.4	30.0	3/4	9/16
6503-04-06	1/4-18	9/16-18	22.4	32.7	3/4	11/16
6503-06-04	3/8-18	7/16-20	25.9	33.3	7/8	9/16
6503-06-06	3/8-18	9/16-18	25.9	37.8	7/8	11/16
6503-06-08	3/8-18	3/4-16	25.9	38.9	7/8	7/8
6503-08-06	1/2-14	9/16-18	31.2	37.8	1-1/16	11/16
6503-08-08	1/2-14	3/4-16	31.2	39.5	1-1/16	7/8
6503-08-10	1/2-14	7/8-14	31.2	41.3	1-1/16	1
6503-12-12	3/4-14	1-1/16-12	34.5	47.4	1-5/16	1-1/4
6503-16-16	1-11-1/2	1-5/16-12	41.2	57.1	1-5/8	1-1/2
6503-20-20	1-1/4-11-1/2	1-5/8-12	43.2	61.8	1-7/8	2

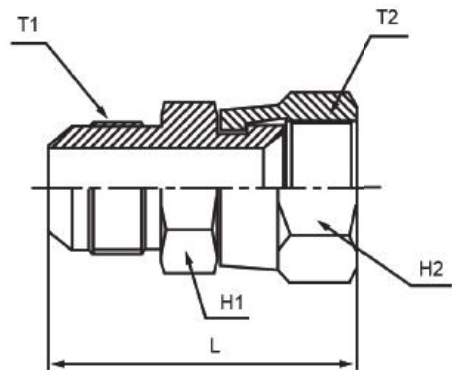
FITTINGS & ADAPTERS

6504 SERIES(STRAIGHT UNION)

(1) 37 MALE TUBE

(2) 37 FEMALE SWIVEL

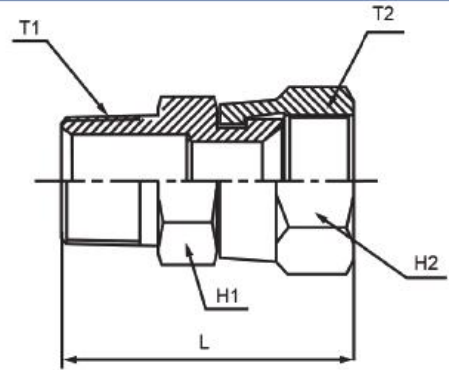
SAE#



PART NUMBER	T1(UNF/UN-2A)	T2(UNF/UN-2B)	L	H1(INCH)	H2(INCH)
6504-04-04	7/16-20	7/16-20	37.9	1/2	9/16
6504-04-06	7/16-20	9/16-18	40.4	1/2	11/16
6504-05-05	1/2-20	1/2-20	39.4	9/16	5/8
6504-06-04	9/16-18	7/16-20	37.5	5/8	9/16
6504-06-06	9/16-18	9/16-18	41.8	5/8	11/16
6504-06-08	9/16-18	3/4-16	44.9	13/16	7/8
6504-06-10	9/16-18	7/8-14	49.3	15/16	1
6504-08-06	3/4-16	9/16-18	45.1	13/16	11/16
6504-08-08	3/4-16	3/4-16	46.5	13/16	7/8
6504-08-10	3/4-16	7/8-14	50.7	15/16	1
6504-08-12	3/4-16	1-1/16-12	56.5	1	1-1/4
6504-10-06	7/8-14	9/16-18	48.1	15/16	11/16
6504-10-08	7/8-14	3/4-16	50.2	15/16	7/8
6504-10-10	7/8-14	7/8-14	53.3	15/16	1
6504-10-12	7/8-14	1-1/16-12	56.7	1	1-1/4
6504-12-08	1-1/16-12	3/4-16	54.9	1-1/8	7/8
6504-12-10	1-1/16-12	7/8-14	57.7	1-1/8	1
6504-12-12	1-1/16-12	1-1/16-12	60.6	1-1/8	1-1/4
6504-16-12	1-5/16-12	1-1/16-12	61.7	1-3/8	1-1/4
6504-16-16	1-5/16-12	1-5/16-12	64.1	1-3/8	1-1/2
6504-20-16	1-5/8-12	1-5/16-12	67.4	1-11/16	1-1/2
6504-20-20	1-5/8-12	1-5/8-12	69.3	1-11/16	2
6504-24-24	1-7/8-12	1-7/8-12	78.1	1-7/8	2-1/4
6504-32-32	2-1/2-12	2-1/2-12	95.6	2-5/8	3

FITTINGS & ADAPTERS

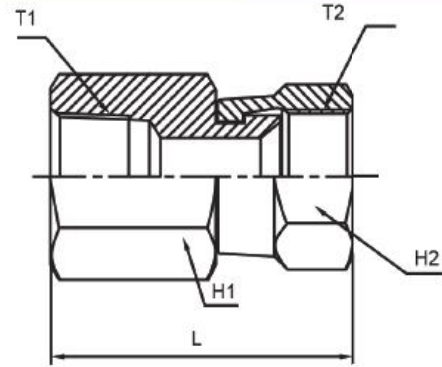
6505 SERIES(STRAIGHT)
 (1) MALE PIPE
 (2) 37 FEMALE SWIVEL
 SAE#



PART NUMBER	T1(NPTF)	T2(UNF/UN-2B)	L	H1(INCH)	H2(INCH)
6505-02-02	1/8-27	5/16-24	32.7	7/16	7/16
6505-02-04	1/8-27	7/16-20	33.1	7/16	9/16
6505-04-02	1/4-18	5/16-24	37.5	5/8	7/16
6505-04-04	1/4-18	7/16-20	39.1	5/8	9/16
6505-04-05	1/4-18	1/2-20	40.2	5/8	5/8
6505-04-06	1/4-18	9/16-18	41.8	5/8	11/16
6505-04-08	1/4-18	3/4-16	43.7	3/4	7/8
6505-06-02	3/8-18	5/16-24	40.4	3/4	7/16
6505-06-04	3/8-18	7/16-20	38.5	3/4	9/16
6505-06-06	3/8-18	9/16-18	42.0	3/4	11/16
6505-06-08	3/8-18	3/4-16	44.2	13/16	7/8
6505-06-10	3/8-18	7/8-14	47.9	7/8	1
6505-08-06	1/2-14	9/16-18	47.5	7/8	11/16
6505-08-08	1/2-14	3/4-16	50.8	15/16	7/8
6505-08-10	1/2-14	7/8-14	52.7	15/16	1
6505-08-12	1/2-14	1-1/16-12	57.4	1	1-1/4
6505-12-10	3/4-14	7/8-14	54.5	1-1/8	1
6505-12-12	3/4-14	1-1/16-12	58.1	1-1/8	1-1/4
6505-12-16	3/4-14	1-5/16-12	60.8	1-1/4	1-1/2
6505-16-12	1-11-1/2	1-1/16-12	62.3	1-3/8	1-1/4
6505-16-16	1-11-1/2	1-5/16-12	65.3	1-3/8	1-1/2
6505-20-20	1-1/4-11-1/2	1-5/8-12	69.8	1-11/16	2
6505-24-24	1-1/2-11-1/2	1-7/8-12	76.6	2	2-1/4
6505-32-32	2-11-1/2	2-1/2-12	88.6	2-5/8	3

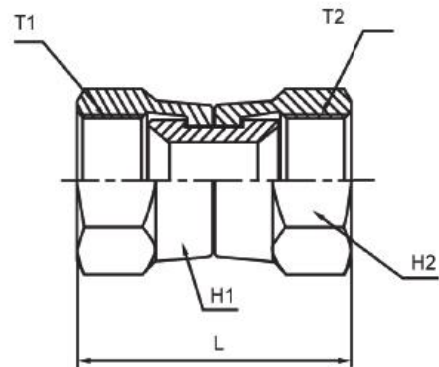
FITTINGS & ADAPTERS

6506 SERIES(STRAIGHT)
 (1) 37 FEMALE SWIVEL
 (2) FEMALE PIPE
 SAE#



PART NUMBER	T1(UNF/UN-2A)	T2(NPTF)	L	H1(INCH)	H2(INCH)
6506-02-02	5/16-24	1/8-27	27.8	9/16	7/16
6506-02-04	5/16-24	1/4-18	37.5	3/4	7/16
6506-04-02	7/16-20	1/8-27	28.9	9/16	9/16
6506-04-04	7/16-20	1/4-18	42.2	3/4	9/16
6506-05-04	1/2-20	1/4-18	43.7	3/4	5/8
6506-06-04	9/16-18	1/4-18	44.9	3/4	11/16
6506-06-06	9/16-18	3/8-18	44.5	7/8	11/16
6506-06-08	9/16-18	1/2-14	46.9	1-1/8	7/8
6506-08-06	3/4-16	3/8-18	44.4	7/8	7/8
6506-08-08	3/4-16	1/2-14	51.2	1-1/8	7/8
6506-10-06	7/8-14	3/8-18	42.8	7/8	1
6506-10-08	7/8-14	1/2-14	52.9	1-1/8	1
6506-10-12	7/8-14	3/4-14	49.6	1-3/8	1
6506-12-08	1-1/16-12	1/2-14	55.2	1-1/8	1-1/4
6506-12-12	1-1/16-12	3/4-14	60.1	1-3/8	1-1/4
6506-14-12	1-3/16-12	3/4-14	61.3	1-3/8	1-3/8
6506-16-16	1-5/16-12	1-11-1/2	67.4	1-5/8	1-1/2
6506-20-20	1-5/8-12	1-1/4-11-1/2	68.4	2	2
6506-24-24	1-7/8-12	1-1/2-11-1/2	72.6	2-5/16	2-1/4
6506-32-32	2-1/2-12	2-11-1/2	82.5	2-7/8	3

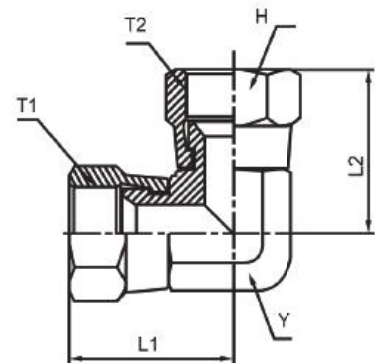
6565 SERIES(STRAIGHT)
 (1) 37 FEMALE SWIVEL
 (2) 37 FEMALE SWIVEL
 SAE#



PART NUMBER	T1(UNF/UN-2B)	T2(UNF/UN-2B)	L	H1(INCH)	H2(INCH)
6565-04-04	7/16-20	7/16-20	32.8	9/16	9/16
6565-05-05	1/2-20	1/2-20	38.2	5/8	5/8
6565-06-04	9/16-18	7/16-20	36.4	11/16	9/16
6565-06-06	9/16-18	9/16-18	41.3	11/16	11/16
6565-08-06	3/4-16	9/16-18	41.6	7/8	11/16
6565-08-08	3/4-16	3/4-16	45.1	7/8	7/8
6565-10-08	7/8-14	3/4-16	46.8	1	7/8
6565-10-10	7/8-14	7/8-14	50.6	1	1
6565-12-12	1-1/16-12	1-1/16-12	56.5	1-1/4	1-1/4
6565-14-14	1-3/16-12	1-3/16-12	58.9	1-3/8	1-3/8
6565-16-16	1-5/16-12	1-5/16-12	61.2	1-1/2	1-1/2
6565-20-20	1-5/8-12	1-5/8-12	64.8	2	2
6565-24-24	1-7/8-12	1-7/8-12	72.8	2-1/4	2-1/4
6565-32-32	2-1/2-12	2-1/2-12	87.9	3	3

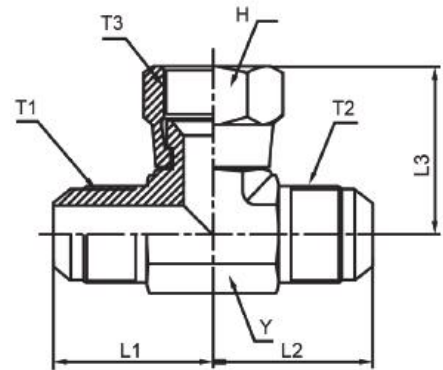
FITTINGS & ADAPTERS

6566 SERIES(90 ELBOW)
 (1) &(2) 37 FEMALE SWIVEL
 SAE#



PART NUMBER	T1(UNF/UN-2B)	T2(UNF/UN-2B)	L1	L2	Y(INCH)	H(INCH)
6566-04-04	7/16-20	7/16-20	24.5	24.5	7/16	9/16
6566-05-05	1/2-20	1/2-20	27.0	27.0	9/16	5/8
6566-06-06	9/16-18	9/16-18	32.0	32.0	9/16	11/16
6566-08-08	3/4-16	3/4-16	35.1	35.1	3/4	7/8
6566-10-10	7/8-14	7/8-14	41.3	41.3	7/8	1
6566-12-12	1-1/16-12	1-1/16-12	45.0	45.0	1-1/16	1-1/4
6566-16-16	1-5/16-12	1-5/16-12	51.4	51.4	1-5/16	1-1/2

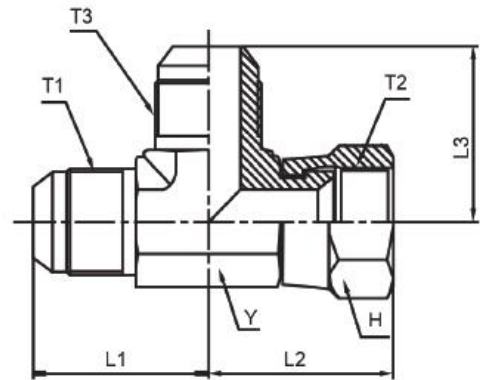
6600 SERIES(TEE)
 (1)&(2) 37 MALE TUBE
 (3) 37 FEMALE SWIVEL
 SAE# 070433



PART NUMBER	T1 T2(UNF/UN-2A)	T3(UNF/UN-2B)	L1(L2)	L3	Y(INCH)	H(INCH)
6600-03-03-03	3/8-24	3/8-24	21.2	25.4	7/16	1/2
6600-04-04-04	7/16-20	7/16-20	22.6	25.4	7/16	9/16
6600-05-05-05	1/2-20	1/2-20	24.1	27.0	9/16	5/8
6600-06-06-06	9/16-18	9/16-18	26.9	31.8	9/16	11/16
6600-08-08-08	3/4-16	3/4-16	31.8	35.1	3/4	7/8
6600-10-10-10	7/8-14	7/8-14	36.8	41.2	7/8	1
6600-12-12-12	1-1/16-12	1-1/16-12	42.2	45.0	1-1/16	1-1/4
6600-14-14-14	1-3/16-12	1-3/16-12	45.7	50.9	1-5/16	1-3/8
6600-16-16-16	1-5/16-12	1-5/16-12	46.0	50.9	1-5/16	1-1/2
6600-20-20-20	1-5/8-12	1-5/8-12	52.3	58.7	1-5/8	2
6600-24-24-24	1-7/8-12	1-7/8-12	59.2	65.8	1-7/8	2-1/4
6600-32-32-32	2-1/2-12	2-1/2-12	77.7	87.1	2-1/2	3

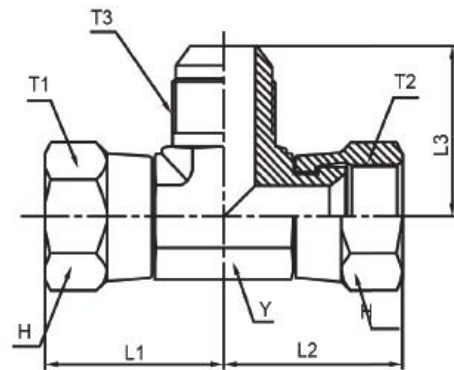
FITTINGS & ADAPTERS

6602 SERIES(TEE)
 (1)&(3) 37 MALE TUBE
 (2) 37 FEMALE SWIVEL
 SAE# 070432



PART NUMBER	T1(UNF/UN-2A)	T2(UNF/UN-2B)	T3(UNF/UN-2A)	L1	L2	L3	Y(INCH)	H(INCH)
6602-03-03-03	3/8-24	3/8-24	3/8-24	21.1	25.4	21.1	7/16	1/2
6602-04-04-04	7/16-20	7/16-20	7/16-20	26.6	25.4	26.6	7/16	9/16
6602-05-05-05	1/2-20	1/2-20	1/2-20	24.1	27.0	24.1	9/16	5/8
6602-06-06-04	9/16-18	9/16-18	7/16-20	26.9	31.8	26.6	9/16	9/16
6602-06-06-06	9/16-18	9/16-18	9/16-18	26.9	31.8	26.9	9/16	11/16
6602-08-08-08	3/4-16	3/4-16	3/4-16	31.8	35.1	31.8	3/4	7/8
6602-08-08-12	3/4-16	3/4-16	1-1/16-12	36.1	39.5	42.2	1-1/16	1-1/4
6602-10-10-10	7/8-14	7/8-14	7/8-14	36.8	41.2	36.8	7/8	1
6602-12-12-12	1-1/16-12	1-1/16-12	1-1/16-12	42.2	45.0	42.2	1-1/16	1-1/4
6602-14-14-14	1-3/16-12	1-3/16-12	1-3/16-12	45.7	50.9	45.7	1-5/16	1-3/8
6602-16-16-16	1-5/16-12	1-5/16-12	1-5/16-12	46.0	50.9	46.0	1-5/16	1-1/2
6602-20-20-20	1-5/8-12	1-5/8-12	1-5/8-12	52.3	58.7	52.3	1-5/8	2
6602-24-24-24	1-7/8-12	1-7/8-12	1-7/8-12	59.2	65.8	59.2	1-7/8	2-1/4
6602-32-32-32	2-1/2-12	2-1/2-12	2-1/2-12	77.7	87.1	77.7	2-1/2	3

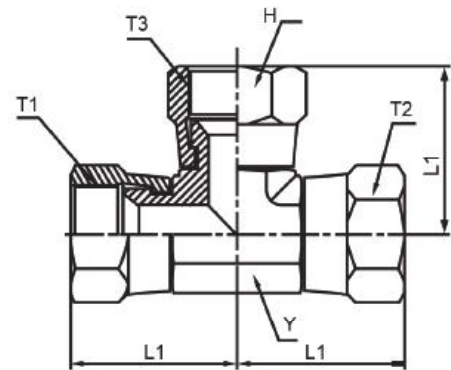
6603 SERIES
 (1)&(2) 37 FEMALE SWIVEL
 (2) 37 MALE TUBE
 SAE#



PART NUMBER	T1(UNF/UN-2B)	T2(UNF/UN-2B)	T3(UNF/UN-2A)	L1	L2	L3	Y(INCH)	H(INCH)
6603-04-04-04	7/16-20	7/16-20	7/16-20	25.40	25.40	22.61	7/16	9/16
6603-06-06-06	9/16-18	9/16-18	9/16-18	31.80	31.80	26.92	9/16	11/16
6603-08-08-08	3/4-16	3/4-16	3/4-16	35.10	35.10	31.75	3/4	7/8
6603-10-10-10	7/8-14	7/8-14	7/8-14	41.20	41.20	36.83	7/8	1
6603-12-12-12	1-1/16-12	1-1/16-12	1-1/16-12	45.00	45.00	42.16	1-1/16	1-1/4
6603-16-16-16	1-5/16-12	1-5/16-12	1-5/16-12	50.90	50.90	45.97	1-5/16	1-1/2

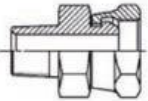
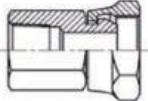
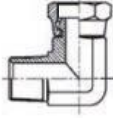
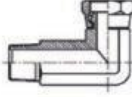
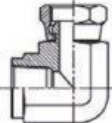

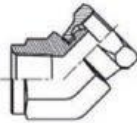
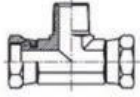
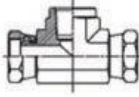
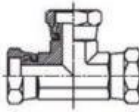
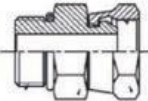
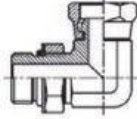

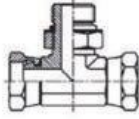
FITTINGS & ADAPTERS

6606 SERIES
 (1) (2)&(3) 37 FEMALE SWIVEL
 SAE#



PART NUMBER	T1 T2 T3(UNF/UN-2B)	L1	Y(INCH)	H(INCH)
6606-04-04-04	7/16-20	25.4	7/16	9/16
6606-05-05-05	1/2-20	27.0	9/16	5/8
6606-06-06-06	9/16-18	31.8	9/16	11/16
6606-08-08-08	3/4-16	35.1	3/4	7/8
6606-10-10-10	7/8-14	41.2	7/8	1
6606-12-12-12	1-1/16-12	45.0	1-1/16	1-1/4
6606-16-16-16	1-5/16-12	50.9	1-5/16	1-1/2

ADAPTER UNIONS PRODUCT INDEX

<p>(140130)</p>  <p>1404 (1) MALE PIPE (2) FEMALE PIPE SWIVEL P77</p>	<p>(140131)</p>  <p>1405 (1) FEMALE PIPE (2) FEMALE PIPE SWIVEL P78</p>	<p>(140230)</p>  <p>1501 (1) MALE PIPE (3) FEMALE PIPE SWIVEL P79</p>	<p>(140231)</p>  <p>1501-LL (1) MALE PIPE (2) FEMALE PIPE SWIVEL P80</p>	<p>(140231)</p>  <p>1502 (1) FEMALE PIPE (2) FEMALE PIPE SWIVEL P81</p>
<p>(140330)</p>  <p>1503 (1) MALE PIPE (2) FEMALE PIPE SWIVEL P82</p>	<p>(140331)</p>  <p>1504 (1) FEMALE PIPE (2) FEMALE PIPE SWIVEL P83</p>	<p>(140331)</p>  <p>1601 (1) MALE PIPE (2)-(3) FEMALE PIPE SWIVEL P84</p>	<p>(140331)</p>  <p>1602 (1) FEMALE PIPE (2)&(3) FEMALE PIPE SWIVEL P85</p>	<p>(070701)</p>  <p>1603 (1), (2)&(3) FEMALE PIPE SWIVEL P86</p>
<p>(140157)</p>  <p>6900 (1) O-RING BOSS (2) FEMALE PIPE SWIVEL P87</p>	<p>(140257)</p>  <p>6901 (1) ADJUSTABLE O-RING (2) FEMALE PIPE SWIVEL P88</p>	<p>(140357)</p>  <p>6902 (1) ADJUSTABLE O-RING (2) FEMALE PIPE SWIVEL P89</p>	<p>(140357)</p>  <p>6911 (1) ADJUSTABLE O-RING (2)&(3) FEMALE PIPE SWIVEL P90</p>	

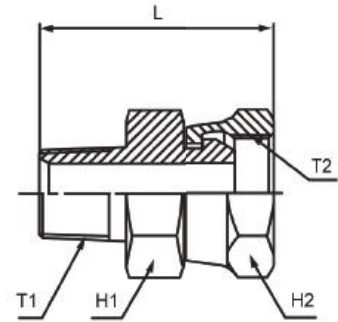
FITTINGS & ADAPTERS

1404 SERIES

(1) MALE PIPE

(2) FEMALE PIPE SWIVEL

SAE # 140130

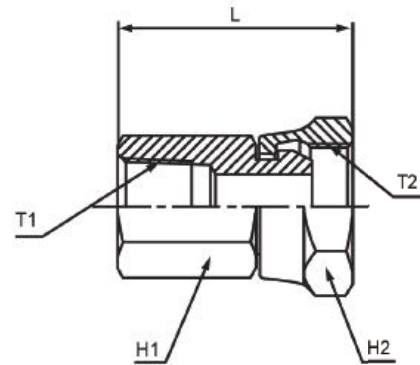


PART NUMBER	T1(NPTF)	T2(NPSM)	L	H1(INCH)	H2(INCH)
1404-02-02	1/8-27	1/8-27	28.4	9/16	9/16
1404-02-04	1/8-27	1/4-18	36.5	11/16	11/16
1404-04-02	1/4-18	1/8-27	32.9	11/16	9/16
1404-04-04	1/4-18	1/4-18	37.8	11/16	11/16
1404-04-06	1/4-18	3/8-18	39.5	7/8	7/8
1404-04-08	1/4-18	1/2-14	43.2	7/8	1
1404-06-04	3/8-18	1/4-18	38.5	7/8	11/16
1404-06-06	3/8-18	3/8-18	39.5	7/8	7/8
1404-06-08	3/8-18	1/2-14	46.1	7/8	1
1404-08-04	1/2-14	1/4-18	43.6	7/8	11/16
1404-08-06	1/2-14	3/8-14	46.1	1	7/8
1404-08-08	1/2-14	1/2-14	49.6	1	1
1404-08-12	1/2-14	3/4-14	51.8	1-1/4	1-1/4
1404-08-16	1/2-14	1-11-1/2	55.7	1-1/4	1-1/2
1404-12-02	3/4-14	1/8-27	41.1	1-1/4	9/16
1404-12-06	3/4-14	3/8-18	46.1	1-1/4	7/8
1404-12-08	3/4-14	1/2-14	49.6	1-1/4	1
1404-12-12	3/4-14	3/4-14	51.8	1-1/4	1-1/4
1404-12-16	3/4-14	1-11-1/2	54.8	1-3/8	1-1/2
1404-16-08	1-11-1/2	1/2-14	53.0	1-3/8	1
1404-16-12	1-11-1/2	3/4-14	58.1	1-1/2	1-1/4
1404-16-16	1-11-1/2	1-11-1/2	60.6	1-1/2	1-1/2
1404-16-20	1-11-1/2	1-1/4-11-1/2	63.1	1-5/8	1-7/8
1404-20-16	1-1/4-11-1/2	1-11-1/2	62.8	1-7/8	1-1/2
1404-20-20	1-1/4-11-1/2	1-1/4-11-1/2	67.1	1-7/8	1-7/8
1404-20-24	1-1/4-11-1/2	1-1/2-11-1/2	70.2	2-1/8	2-1/8
1404-24-20	1-1/2-11-1/2	1-1/4-11-1/2	66.3	2-1/8	1-7/8
1404-24-24	1-1/2-11-1/2	1-1/2-11-1/2	72.8	2-1/8	2-1/8
1404-32-32	2-11-1/2	2-1-1/2	73.4	2-5/8	2-5/8

1405 SERIES

- (1) FEMALE PIPE
- (2) FEMALE PIPE SWIVEL

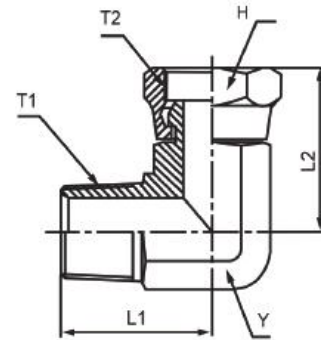
SAE # 140131



PART NUMBER	T1(NPTF)	T2(NPSM)	L	H1(INCH)	H2(INCH)
1405-02-02	1/8-27	1/8-27	27.4	9/16	9/16
1405-02-04	1/8-27	1/8-27	31.4	9/16	11/16
1405-04-02	1/4-18	1/4-18	33.2	11/16	9/16
1405-04-04	1/4-18	1/4-18	39.8	11/16	11/16
1405-04-06	1/4-18	1/4-18	37.0	11/16	7/8
1405-04-08	1/4-18	1/4-18	40.3	7/8	1
1405-06-04	3/8-18	3/8-18	39.5	7/8	11/16
1405-06-06	3/8-18	3/8-18	38.0	7/8	7/8
1405-06-08	3/8-18	3/8-18	44.1	7/8	1
1405-08-04	1/2-14	1/2-14	43.1	1	11/16
1405-08-06	1/2-14	1/2-14	43.1	1	7/8
1405-08-08	1/2-14	1/2-14	46.6	1	1
1405-08-12	1/2-14	1/2-14	48.8	1-1/4	1-1/4
1405-12-08	3/4-14	3/4-14	51.6	1-1/4	1
1405-12-12	3/4-14	3/4-14	53.7	1-1/4	1-1/4
1405-12-16	3/4-14	3/4-14	56.2	1-3/8	1-1/2
1405-16-12	1-11-1/2	1-11-1/2	58.7	1-1/2	1-1/4
1405-16-16	1-11-1/2	1-11-1/2	61.1	1-1/2	1-1/2
1405-20-20	1-1/4-11-1/2	1-1/4-11-1/2	63.3	1-7/8	1-7/8
1405-24-24	1-1/2-11-1/2	1-1/2-11-1/2	66.4	2-1/8	2-1/8
1405-32-32	2-11-1/2	2-11-1/2	65.2	2-5/8	2-5/8

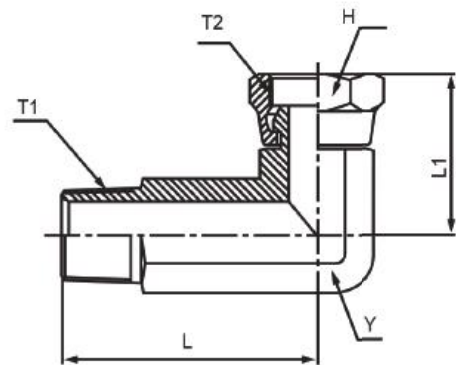
FITTINGS & ADAPTERS

1501 SERIES (90 ELBOW)
 (1) MALE PIPE
 (2) FEMALE PIPE SWIVEL
 SAE# 140230



PART NUMBER	T1(NPTF)	T2(NPSM)	L1	L2	Y(INCH)	H(INCH)
1501-02-02	1/8-27	1/8-27	19.8	22.2	7/16	9/16
1501-02-04	1/8-27	1/4-18	26.9	24.9	9/16	11/16
1501-04-02	1/4-18	1/8-27	27.7	22.2	9/16	9/16
1501-04-04	1/4-18	1/4-18	27.7	24.9	9/16	11/16
1501-04-06	1/4-18	3/8-18	31.0	29.4	3/4	7/8
1501-04-08	1/4-18	1/2-14	32.5	34.6	7/8	1
1501-06-04	3/8-18	1/4-18	31.0	28.7	3/4	11/16
1501-06-06	3/8-18	3/8-18	31.0	29.4	3/4	7/8
1501-06-08	3/8-18	1/2-14	37.3	35.5	7/8	1
1501-06-12	3/8-18	3/4-14	39.6	44.2	1-1/16	1-1/4
1501-08-04	1/2-14	1/4-18	37.3	30.7	7/8	11/16
1501-08-06	1/2-14	3/8-18	37.3	31.7	7/8	7/8
1501-08-08	1/2-14	1/2-14	37.3	35.5	7/8	1
1501-08-12	1/2-14	3/4-14	40.4	44.2	1-1/16	1-1/4
1501-12-04	3/4-14	1/4-18	40.4	33.2	1-1/16	11/16
1501-12-06	3/4-14	3/8-18	40.4	33.8	1-1/16	7/8
1501-12-08	3/4-14	1/2-14	40.4	33.8	1-1/16	1
1501-12-12	3/4-14	3/4-14	40.4	44.2	1-1/16	1-1/4
1501-12-16	3/4-14	1-11-1/2	50.0	48.0	1-5/16	1-1/2
1501-12-20	3/4-14	1-1/4-11-1/2	54.9	55.1	1-5/8	1-7/8
1501-16-08	1-11-1/2	1/2-14	50.0	43.0	1-5/16	1
1501-16-12	1-11-1/2	3/4-14	50.0	44.2	1-5/16	1-1/4
1501-16-16	1-11-1/2	1-11-1/2	50.0	48.0	1-5/16	1-1/2
1501-16-20	1-11-1/2	1-1/4-11-1/2	59.7	55.1	1-5/8	1-7/8
1501-20-12	1-1/4-11-1/2	3/4-14	60.5	46.3	1-5/8	1-1/4
1501-20-16	1-1/4-11-1/2	1-11-1/2	60.5	48.5	1-5/8	1-1/2
1501-20-20	1-1/4-11-1/2	1-1/4-11-1/2	60.5	58.0	1-5/8	1-1/4
1501-20-24	1-1/4-11-1/2	1-1/2-11-1/2	67.1	59.0	1-7/8	2-1/8
1501-24-20	1-1/2-11-1/2	1-1/4-11-1/2	67.1	58.3	1-7/8	1-7/8
1501-24-24	1-1/2-11-1/2	1-1/2-11-1/2	67.1	59.0	1-7/8	2-1/8
1501-32-32	2-11-1/2	2-11-1/2	76.2	68.7	2-1/2	2-5/8

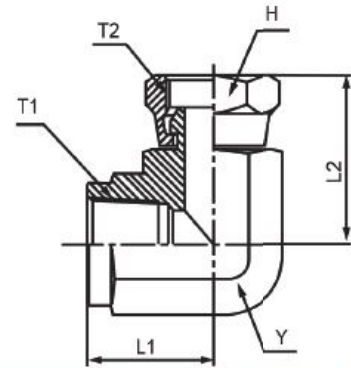
1501-LL SERIES (90 ELBOW)
 (1) MALE PIPE
 (2) FEMALE PIPE SWIVEL
 SAE#



PART NUMBER	T1(NPTF)	T2(NPSM)	L	L1	Y(INCH)	H(INCH)
1501-LL-02-02	1/8-27	1/8-27	41.7	22.2	7/16	9/16
1501-LL-04-04	1/4-18	1/4-18	57.2	28.6	9/16	11/16
1501-LL-06-06	3/8-18	3/8-18	70.1	33.7	3/4	7/8
1501-LL-08-08	1/2-14	1/2-14	81.0	35.5	7/8	1
1501-LL-12-12	3/4-14	3/4-14	93.0	44.2	1-1/16	1-1/4
1501-LL-16-16	1-11-1/2	1-11-1/2	110.0	48.0	1-5/16	1-1/2

FITTINGS & ADAPTERS

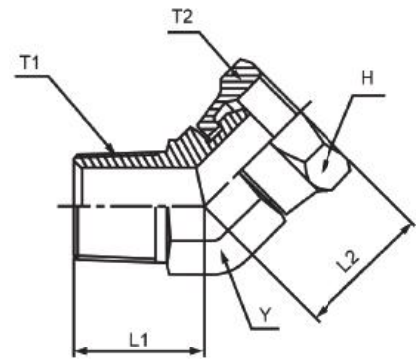
1502 SERIES (90 ELBOW)
 (1) FEMALE PIPE
 (2) FEMALE PIPE SWIVEL
 SAE# 140231



PART NUMBER	T1(NPTF)	T2(NPSM)	L1	L2	Y(INCH)	H(INCH)
1502-02-02	1/8-27	1/8-27	16.8	23.8	9/16	9/16
1502-02-04	1/8-27	1/4-18	16.8	28.7	9/16	11/16
1502-04-02	1/4-18	1/8-27	22.4	24.10	3/4	9/16
1502-04-04	1/4-18	1/4-18	22.4	28.2	3/4	11/16
1502-04-06	1/4-18	3/8-18	22.4	29.2	3/4	7/8
1502-06-04	3/8-18	1/4-18	25.9	30.0	7/8	11/16
1502-06-06	3/8-18	3/8-18	25.9	31.0	7/8	7/8
1502-06-08	3/8-18	1/2-14	25.9	35.6	7/8	1
1502-08-04	1/2-14	1/4-18	31.2	33.3	1-1/16	11/16
1502-08-06	1/2-14	3/8-18	31.2	34.3	1-1/16	7/8
1502-08-08	1/2-14	1/2-14	31.2	37.8	1-1/16	1
1502-08-12	1/2-14	3/4-14	31.2	40.0	1-1/16	1-1/4
1502-12-08	3/4-14	1/2-14	34.5	42.0	1-5/16	1
1502-12-12	3/4-14	3/4-14	34.5	46.2	1-5/16	1-1/4
1502-12-16	3/4-14	1-11-1/2	34.6	46.5	1-5/16	1-1/2
1502-16-12	1-11-1/2	3/4-14	41.2	48.5	1-5/8	1-1/4
1502-16-16	1-11-1/2	1-11-1/2	41.2	51.0	1-5/8	1-1/2
1502-20-16	1-1/4-11-1/2	1-11-1/2	43.2	55.2	1-7/8	1-1/2
1502-20-20	1-1/4-11-1/2	1-1/4-11-1/2	43.2	57.3	1-7/8	1-7/8
1502-24-24	1-1/2-11-1/2	1-1/2-11-1/2	52.8	72.0	2-1/2	2-1/8
1502-32-32	2-11-1/2	2-11-1/2	60.7	76.0	2-13/16	2-5/8

FITTINGS & ADAPTERS

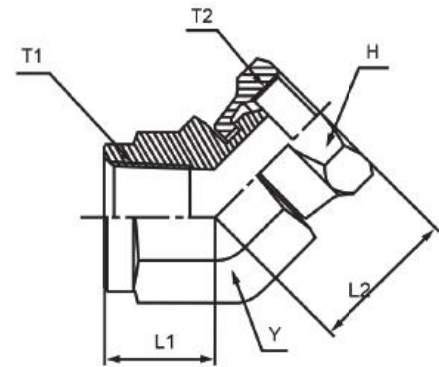
1503 SERIES (45 ELBOW)
 (1) MALE PIPE
 (2) FEMALE PIPE SWIVEL
 SAE# 140330



PART NUMBER	T1(NPTF)	T2(NPSM)	L1	L2	Y(INCH)	H(INCH)
1503-02-02	1/8-27	1/8-27	16.3	16.2	7/16	9/16
1503-02-04	1/8-27	1/4-18	16.3	21.1	9/16	11/16
1503-04-02	1/4-18	1/8-27	21.8	17.0	9/16	9/16
1503-04-04	1/4-18	1/4-18	21.8	21.1	9/16	11/16
1503-04-06	1/4-18	3/8-18	24.1	24.2	3/4	7/8
1503-04-08	1/4-18	1/2-14	24.1	29.0	7/8	1
1503-06-04	3/8-18	1/4-18	24.1	22.7	3/4	11/16
1503-06-06	3/8-18	3/8-18	24.1	23.7	3/4	7/8
1503-06-08	3/8-18	1/4-18	24.1	29.0	7/8	1
1503-08-04	1/2-14	1/2-14	29.7	23.4	7/8	11/16
1503-08-06	1/2-14	3/8-18	29.7	25.4	7/8	7/8
1503-08-08	1/2-14	1/2-14	29.7	29.0	7/8	1
1503-08-12	1/2-14	3/4-14	29.7	31.6	1-1/16	1-1/4
1503-12-06	3/4-14	3/8-18	30.5	27.0	1-1/16	7/8
1503-12-08	3/4-14	1/2-14	30.5	30.6	1-1/16	1
1503-12-12	3/4-14	3/4-14	30.5	31.6	1-1/16	1-1/4
1503-12-16	3/4-14	1-11-1/2	33.0	37.2	1-5/16	1-1/2
1503-16-12	1-11-1/2	3/4-14	37.6	33.6	1-5/16	1-1/4
1503-16-16	1-11-1/2	1-11-1/2	37.6	37.2	1-5/16	1-1/2
1503-16-20	1-11-1/2	1-1/4-11-1/2	42.4	42.6	1-5/8	1-7/8
1503-20-16	1-1/4-11-1/2	1-11-1/2	42.4	39.6	1-5/8	1-1/2
1503-20-20	1-1/4-11-1/2	1-1/4-11-1/2	42.4	42.6	1-5/8	1-7/8
1503-24-24	1-1/2-11-1/2	1-1/2-11-1/2	45.0	47.6	1-7/8	2-1/8
1503-32-32	2-11-1/2	2-11-1/2	53.6	52.1	2-1/2	2-5/8

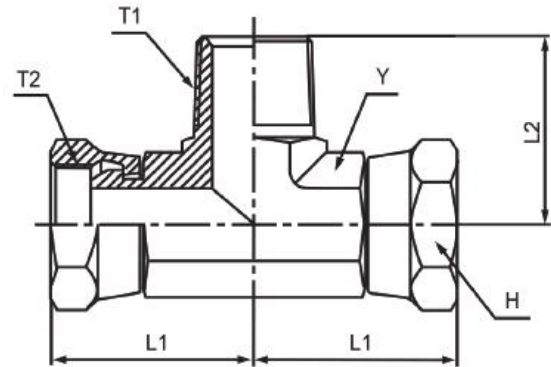
FITTINGS & ADAPTERS

1504 SERIES (45 ELBOW)
 (1) FEMALE PIPE
 (2) FEMALE PIPE SWIVEL
 SAE# 140331



PART NUMBER	T1(NPTF)	T2(NPSM)	L1	L2	Y(INCH)	H(INCH)
1504-02-02	1/8-27	1/8-27	11.9	17.5	9/16	9/16
1504-02-04	1/8-27	1/4-18	11.9	21.5	9/16	11/16
1504-04-04	1/4-18	1/4-18	16.3	23.1	3/4	11/16
1504-04-06	1/4-18	3/8-18	17.5	24.2	3/4	7/8
1504-06-04	3/8-18	1/4-18	18.3	24.4	7/8	11/16
1504-06-06	3/8-18	3/8-18	18.3	25.4	7/8	7/8
1504-06-08	3/8-18	1/2-14	18.3	29.0	7/8	1
1504-08-06	1/2-14	3/8-18	23.1	27.0	1-1/16	7/8
1504-08-08	1/2-14	1/2-14	23.1	30.6	1-1/16	1
1504-12-08	3/4-14	1/2-14	24.6	32.6	1-5/16	1
1504-12-12	3/4-14	3/4-14	24.6	33.7	1-5/16	1-1/4
1504-16-12	1-11-1/2	3/4-14	28.5	36.1	1-5/8	1-1/4
1504-16-16	1-11-1/2	1-11-1/2	28.5	39.6	1-5/8	1-1/2
1504-20-20	1-1/4-11-1/2	1-1/4-11-1/2	41.4	44.6	1-7/8	1-7/8
1504-24-24	1-1/2-11-1/2	1-1/2-11-1/2	42.9	53.0	2-9/16	2-1/8
1504-32-32	2-11-1/2	2-11-1/2	55.6	54.9	2-13/16	2-5/8

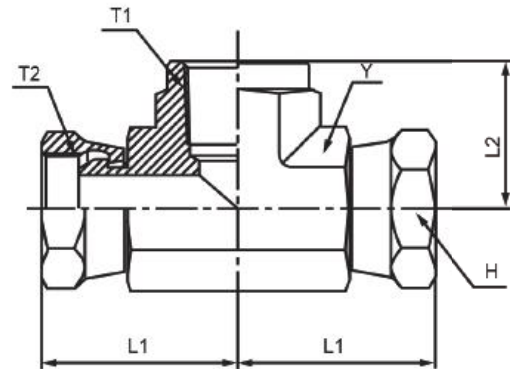
1601 SERIES(TEE)
 (1)MALE PIPE
 (2)&(3) FEMALE PIPE SWIVEL
 SAE#



PART NUMBER	T1(NPTF)	T2(NPSM)	L1	L2	Y(INCH)	H(INCH)
1601-02-02-02	1/8-27	1/8-27	18.3	21.3	7/16	9/16
1601-04-04-04	1/4-18	1/4-18	27.7	28.6	9/16	11/16
1601-04-06-06	1/4-18	3/8-18	27.7	29.3	3/4	7/8
1601-06-04-04	3/8-18	1/4-18	31.0	28.6	3/4	11/16
1601-06-06-06	3/8-18	3/8-18	31.0	30.3	3/4	7/8
1601-06-08-08	3/8-18	1/2-14	31.0	35.2	7/8	1
1601-08-04-04	1/2-14	1/4-18	37.3	31.0	7/8	11/16
1601-08-06-06	1/2-14	3/8-18	37.3	32.0	7/8	7/8
1601-08-08-08	1/2-14	1/2-18	37.3	32.7	7/8	1
1601-12-08-08	3/4-14	1/2-18	40.4	35.2	1-1/16	1
1601-12-12-12	3/4-14	3/4-14	40.4	39.9	1-1/16	1-1/4
1601-12-16-16	3/4-14	1-11-1/2	50.0	46.6	1-5/16	1-1/2
1601-16-12-12	1-11-1/2	3/4-14	50.0	44.0	1-5/16	1-1/4
1601-16-16-16	1-11-1/2	1-11-1/2	50.0	47.9	1-5/16	1-1/2
1601-20-20-20	1-1/4-11-1/2	1-1/4-11-1/2	60.5	58.0	1-5/8	1-7/8
1601-24-24-24	1-1/2-11-1/2	1-1/2-11-1/2	67.1	59.5	1-7/8	2-1/8

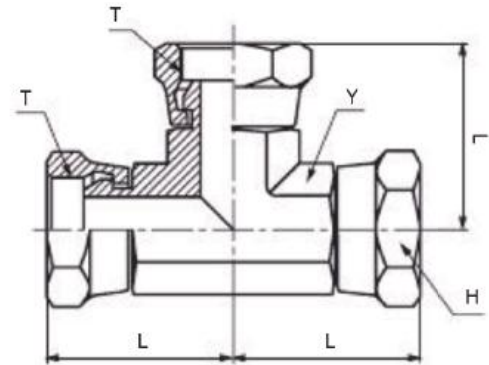
FITTINGS & ADAPTERS

1602 SERIES
 (1) FEMALE PIPE
 (2)&(3) FEMALE PIPE SWIVEL
 SAE#



PART NUMBER	T1(NPTF)	T2(NPSM)	L1	L2	Y(INCH)	H(INCH)
1602-02-02-02	1/8-27	1/8-27	16.8	23.8	9/16	9/16
1602-04-04-04	1/4-18	1/4-18	22.4	29.8	3/4	11/16
1602-06-04-04	3/8-18	1/4-18	25.9	29.8	7/8	11/16
1602-06-06-06	3/8-18	3/8-18	25.9	32.2	7/8	7/8
1602-08-06-06	1/2-14	3/8-18	31.2	35.0	1-1/16	7/8
1602-08-08-08	1/2-14	1/2-14	31.2	38.6	1-1/16	1
1602-12-08-08	3/4-14	1/2-14	34.5	45.2	1-5/16	1
1602-12-12-12	3/4-14	3/4-14	34.5	44.1	1-5/16	1-1/4
1602-16-12-12	1-11-1/2	3/4-14	41.2	49.0	1-5/8	1-1/4
1602-16-16-16	1-11-1/2	1-11-1/2	41.2	52.8	1-5/8	1-1/2
1602-20-20-20	1-1/4-11-1/2	1-1/4-11-1/2	43.1	57.1	1-7/8	1-7/8
1602-24-24-24	1-1/2-11-1/2	1-1/2-11-1/2	52.8	72.2	2-5/8	2-1/8

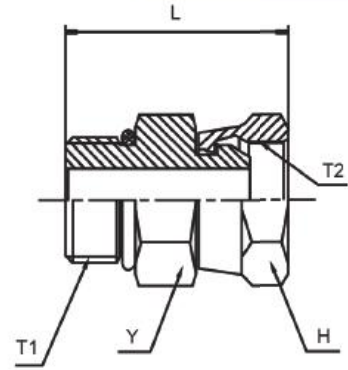
1603 SERIES
 (1) (2)&(3) FEMALE PIPE SWIVEL
 SAE#



PART NUMBER	T(NPSM)	L	Y(INCH)	H(INCH)
1603-02-02-02	1/8-27	21.3	7/16	9/16
1603-04-04-04	1/4-18	28.6	9/16	11/16
1603-06-06-06	3/8-18	30.4	3/4	7/8
1603-08-08-08	1/2-14	35.2	7/8	1
1603-12-12-12	3/4-14	41.8	1-1/16	1-1/4
1603-16-16-16	1-11-1/2	48.0	1-5/16	1-1/2
1603-20-20-20	1-1/4-11-1/2	57.1	1-5/8	1-7/8

FITTINGS & ADAPTERS

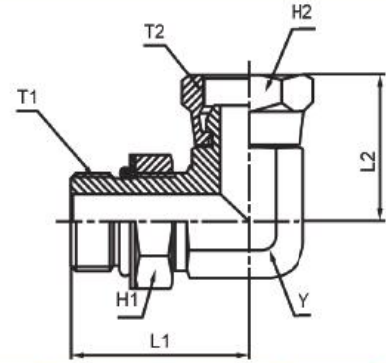
6900 SERIES (STRAIGHT UNION)
 (1) O-RING BOSS
 (2) FEMALE PIPE SWIVEL
 SAE# 140157



PART NUMBER	T1(UNF/UN-2A)	T2(NPSM)	L	Y(INCH)	H(INCH)
6900-04-02-O	7/16-20	1/8-27	30.4	9/16	9/16
6900-04-04-O	7/16-20	1/4-18	31.9	9/16	11/16
6900-04-06-O	7/16-20	3/8-18	34.5	5/8	7/8
6900-04-08-O	7/16-20	1/2-14	37.8	13/16	1
6900-05-04-O	1/2-20	1/4-18	31.9	5/8	11/16
6900-05-06-O	1/2-20	3/8-18	34.5	5/8	7/8
6900-05-08-O	1/2-20	1/2-14	37.8	13/16	1
6900-06-04-O	9/16-18	1/4-18	33.6	11/16	11/16
6900-06-06-O	9/16-18	3/8-18	36.4	11/16	7/8
6900-06-08-O	9/16-18	1/2-14	39.2	13/16	1
6900-08-04-O	3/4-16	1/4-18	35.6	7/8	11/16
6900-08-06-O	3/4-16	3/8-18	36.7	7/8	7/8
6900-08-08-O	3/4-16	1/2-14	40.2	7/8	1
6900-08-12-O	3/4-16	3/4-14	44.6	1	1-1/4
6900-10-04-O	7/8-14	1/4-18	38.6	1	11/16
6900-10-06-O	7/8-14	3/8-18	39.8	1	7/8
6900-10-08-O	7/8-14	1/2-14	43.2	1	1
6900-10-12-O	7/8-14	3/4-14	46.0	1	1-1/4
6900-12-06-O	1-1/16-12	3/8-18	43.8	1-1/4	7/8
6900-12-08-O	1-1/16-12	1/2-14	44.0	1-1/4	1
6900-12-12-O	1-1/16-12	3/4-14	48.5	1-1/4	1-1/4
6900-12-16-O	1-1/16-12	1-11-1/2	52.5	1-1/4	1-1/2
6900-14-12-O	1-3/16-12	3/4-14	48.2	1-3/8	1-1/4
6900-14-16-O	1-3/16-12	1-11-1/2	52.5	1-3/8	1-1/2
6900-16-12-O	1-5/16-12	3/4-14	49.0	1-1/2	1-1/4
6900-16-16-O	1-5/16-12	1-11-1/2	52.5	1-1/2	1-1/2
6900-16-20-O	1-5/16-12	1-1/4-11-1/2	57.6	1-11/16	1-7/8
6900-20-12-O	1-5/8-12	3/4-14	51.1	1-7/8	1-1/4
6900-20-16-O	1-5/8-12	1-11-1/2	54.6	1-7/8	1-1/2
6900-20-20-O	1-5/8-12	1-1/4-11-1/2	57.6	1-7/8	1-7/8
6900-24-20-O	1-7/8-12	1-1/4-11-1/2	59.4	2-1/8	1-7/8
6900-24-24-O	1-7/8-12	1-1/2-11-1/2	62.6	2-1/8	2-1/8
6900-32-32-O	2-1/2-12	2-11-1/2	66.7	2-3/4	2-5/8

FITTINGS & ADAPTERS

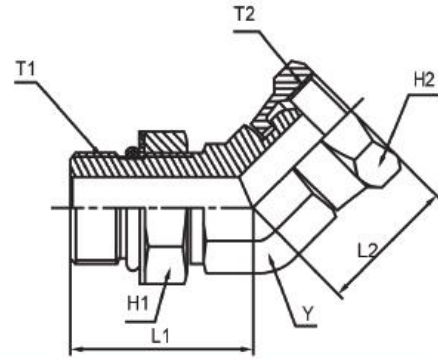
6901 SERIES (90 ELBOW)
 (1) ADJUSTABLE O-RING
 (2) FEMALE PIPE SWIVEL
 SAE# 140257



PART NUMBER	T1(UNF/UN-2A)	T2(NPSM)	L1	L2	Y(INCH)	H1(INCH)	H2(INCH)
6901-04-02-NWO	7/16-20	1/8-27	26.2	21.3	7/16	9/16	9/16
6901-04-04-NWO	7/16-20	1/4-18	30.2	26.4	9/16	9/16	11/16
6901-04-06-NWO	7/16-20	3/8-18	32	29.4	3/4	9/16	7/8
6901-05-04-NWO	1/2-20	1/4-18	30.2	26.4	9/16	5/8	11/16
6901-06-04-NWO	9/16-18	1/4-18	31.8	26.4	9/16	11/16	11/16
6901-06-06-NWO	9/16-18	3/8-18	33.5	29.4	3/4	11/16	7/8
6901-06-08-NWO	9/16-18	1/2-14	35.8	33.5	3/4	11/16	1
6901-08-04-NWO	3/4-16	1/4-18	36.8	28.7	3/4	7/8	11/16
6901-08-06-NWO	3/4-16	3/8-14	36.8	29.4	3/4	7/8	7/8
6901-08-08-NWO	3/4-16	1/2-14	36.8	33.5	3/4	7/8	1
6901-08-12-NWO	3/4-16	3/4-14	43.2	41	1-1/16	7/8	1-1/4
6901-10-04-NWO	7/8-14	1/4-18	43.2	31	7/8	1	11/16
6901-10-06-NWO	7/8-14	3/8-18	43.2	32.2	7/8	1	7/8
6901-10-08-NWO	7/8-14	1/2-14	43.2	35.3	7/8	1	1
6901-10-12-NWO	7/8-14	3/4-14	46.4	41	1-1/16	1	1-1/4
6901-12-06-NWO	1-1/16-12	3/8-18	49.3	35.3	1-1/16	1-1/4	7/8
6901-12-08-NWO	1-1/16-12	1/2-14	49.2	37.8	1-1/16	1-1/4	1
6901-12-12-NWO	1-1/16-12	3/4-14	49.2	41	1-1/16	1-1/4	1-1/4
6901-12-16-NWO	1-1/16-12	1-11-1/2	52.1	48	1-5/16	1-1/4	1-1/2
6901-14-12-NWO	1-3/16-12	3/4-14	52.1	41	1-5/16	1-3/8	1-1/4
6901-16-12-NWO	1-5/16-12	3/4-14	52.1	44.5	1-5/16	1-1/2	1-1/4
6901-16-16-NWO	1-5/16-12	1-11-1/2	52.1	48	1-5/16	1-1/2	1-1/2
6901-16-20-NWO	1-5/16-12	1-1/4-11-1/2	57.2	55.6	1-5/8	1-1/2	1-7/8
6901-20-12-NWO	1-5/8-12	3/4-14	57.2	48.5	1-5/8	1-7/8	1-1/4
6901-20-16-NWO	1-5/8-12	1-11-1/2	57.2	52.7	1-5/8	1-7/8	1-1/2
6901-20-20-NWO	1-5/8-12	1-1/4-11-1/2	57.2	56.2	1-5/8	1-7/8	1-7/8
6901-24-24-NWO	1-7/8-12	1-1/2-11-1/2	60.7	63	1-7/8	2-1/8	2-1/8
6901-32-32-NWO	2-1/2-12	2-11-1/2	73.4	72.6	2-1/2	2-3/4	2-5/8

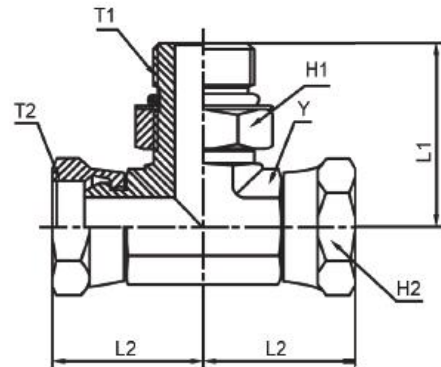
FITTINGS & ADAPTERS

6902 SERIES (45 ELBOW)
 (1) ADJUSTABLE O-RING
 (2) FEMALE PIPE SWIVEL
 SAE# 140357






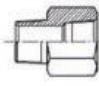
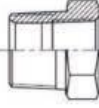



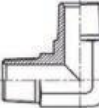

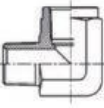

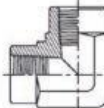

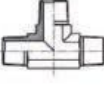
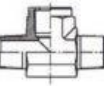
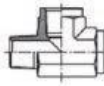
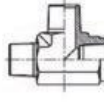


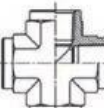
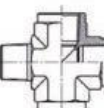
PART NUMBER	T1(UNF/UN-2A)	T2(NPSM)	L1	L2	Y(INCH)	H1(INCH)	H2(INCH)
6902-04-04-NWO	7/16-20	1/4-18	26.7	20.3	7/16	9/16	11/16
6902-04-06-NWO	7/16-20	3/8-18	26.2	24.3	9/16	9/16	7/8
6902-06-04-NWO	9/16-18	1/4-18	29.0	21.6	9/16	11/16	11/16
6902-06-06-NWO	9/16-18	3/8-18	29.0	26.4	9/16	11/16	7/8
6902-06-08-NWO	9/16-18	1/2-14	31.8	27.9	3/4	11/16	1
6902-08-04-NWO	3/4-16	1/4-18	33.0	23.2	3/4	7/8	11/16
6902-08-06-NWO	3/4-16	3/8-18	33.0	24.3	3/4	7/8	7/8
6902-08-08-NWO	3/4-16	1/2-14	33.0	27.8	3/4	7/8	1
6902-08-12-NWO	3/4-16	3/4-14	36.8	32.7	1-1/16	7/8	1-1/4
6902-10-06-NWO	7/8-14	3/8-18	38.6	24.5	7/8	1	7/8
6902-10-08-NWO	7/8-14	1/2-14	38.6	29.4	7/8	1	1
6902-10-12-NWO	7/8-14	3/4-14	43.2	32.8	1-1/16	1	1-1/4
6902-12-08-NWO	1-1/16-12	1/2-14	43.9	30.7	1-1/16	1-1/4	1
6902-12-12-NWO	1-1/16-12	3/4-14	43.9	32.8	1-1/16	1-1/4	1-1/4
6902-12-16-NWO	1-1/16-12	1-11-1/2	49.3	37.3	1-5/16	1-1/4	1-1/2
6902-16-12-NWO	1-5/16-12	3/4-14	47.2	34.8	1-5/16	1-1/2	1-1/4
6902-16-16-NWO	1-5/16-12	1-11-1/2	47.2	37.3	1-5/16	1-1/2	1-1/2
6902-20-20-NWO	1-5/8-12	1-1/4-11-1/2	48.5	42.6	1-5/8	1-7/8	1-7/8
6902-24-24-NWO	1-7/8-12	1-1/2-11-1/2	48.5	47.80	1-7/8	2-1/8	2-1/8

6911 SERIES (TEE)
 (1) ADJUSTABLE O-RING
 (2)&(3) FEMALE PIPE SWIVEL
 SAE#

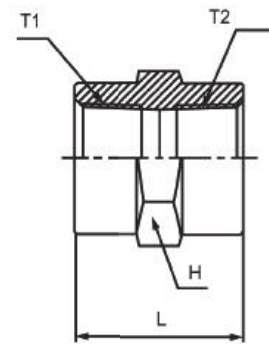


PART NUMBER	T1(UNF/UN-2A)	T2(NPSM)	L1	L2	Y(INCH)	H1(INCH)	H2(INCH)
6911-04-04-04-NWO	7/16-20	1/4-18	30.2	26.4	9/16	9/16	11/16
6911-06-06-06-NWO	9/16-18	3/8-18	33.5	29.4	3/4	11/16	7/8
6911-08-08-08-NWO	3/4-16	1/2-14	36.8	33.5	3/4	7/8	1

NPTF PIPE FITTINGS PRODUCT INDEX

 (140138) 5000 (1)&(2) FEMALE PIPE P92	 (140137) 5404 (1)&(2) MALE PIPE P93	 (140139) 5404-N (1)&(2) MALE PIPE P94	 (140139) 5405 (1) MALE PIPE (2) FEMALE PIPE P95	 (140140) 5406 (1) MALE PIPE (2) FEMALE PIPE P96
 5406-C (1) FEMALE PIPE P97	 (130139) 5406-P (1) MALE PLUG P98	 5406-HHP P99	 (070119) 5500 (1)&(2) MALE PIPE P100	 (070102) 5501 (1)&(2) MALE PIPE P101
 5502 (1) MALE PIPE (2) FEMALE PIPE P102	 (140339) 5503 (1) MALE PIPE (2) FEMALE PIPE P103	 (140238) 5504 (1)&(2) FEMALE PIPE P104	 (140338) 5505 (1)&(2) FEMALE PIPE P105	 5600 (1), (2) &(3) MALE PIPE P106
 5601 (1) &(2) MALE PIPE (3) FEMALE PIPE P107	 (140424) 5602 (1) MALE PIPE (2) &(3) FEMALE PIPE P108	 5603 (1) &(3) MALE PIPE (2) FEMALE PIPE P109	 (140425) 5604 (1) &(2) FEMALE PIPE (3) MALE PIPE P110	 (140438) 5605 (1), (2) &(3) FEMALE PIPE P111
 5652 (1)-(4) FEMALE PIPE P112	 5655 (1) MALE TUBE (2), (3) &(4) FEMALE PIPE P113			

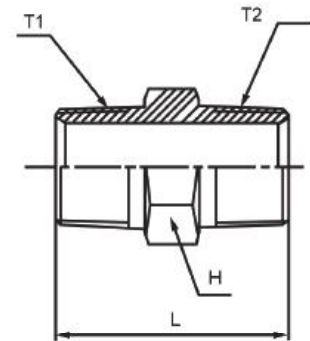
5000 SERIES (HEXAGON PIPE COUPLING)
 (1)&(2) FEMALE PIPE
 SAE# 140138



PART NUMBER	T1(NPTF)	T2(NPTF)	L	H(INCH)
5000-02-02	1/8-27	1/8-27	19.0	5/8
5000-04-02	1/4-18	1/8-27	28.7	3/4
5000-04-04	1/4-18	1/4-18	28.7	3/4
5000-06-02	3/8-18	1/8-27	28.7	7/8
5000-06-04	3/8-18	1/4-18	28.7	7/8
5000-06-06	3/8-18	3/8-18	28.7	7/8
5000-08-04	1/2-14	1/4-18	38.1	1-1/8
5000-08-06	1/2-14	3/8-18	38.1	1-1/8
5000-08-08	1/2-14	1/2-14	38.1	1-1/8
5000-12-04	3/4-14	1/4-18	38.9	1-3/8
5000-12-06	3/4-14	3/8-18	38.9	1-3/8
5000-12-08	3/4-14	1/2-14	38.9	1-3/8
5000-12-12	3/4-14	3/4-14	38.9	1-3/8
5000-16-08	1-11-1/2	1/2-14	48.0	1-5/8
5000-16-12	1-11-1/2	3/4-14	48.0	1-5/8
5000-16-16	1-11-1/2	1-11-1/2	48.0	1-5/8
5000-20-16	1-1/4-11-1/2	1-11-1/2	49.0	2
5000-20-20	1-1/4-11-1/2	1-1/4-11-1/2	49.0	2
5000-24-16	1-1/2-11-1/2	1-11-1/2	49.0	2-5/16
5000-24-20	1-1/2-11-1/2	1-1/4-11-1/2	49.0	2-5/16
5000-24-24	1-1/2-11-1/2	1-1/2-11-1/2	49.0	2-5/16
5000-32-32	2-11-1/2	2-11-1/2	49.8	2-7/8

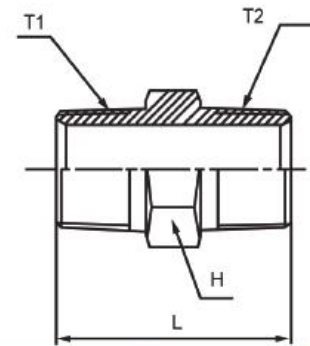
FITTINGS & ADAPTERS

5404 SERIES
(1)&(2) MALE PIPE
SAE# 140137



PART NUMBER	T1(NPTF)	T2(NPTF)	L	H(INCH)
5404-02-02	1/8-27	1/8-27	26.9	7/16
5404-04-02	1/4-18	1/8-27	32.3	5/8
5404-04-04	1/4-18	1/4-18	36.8	5/8
5404-04-12	1/4-18	3/4-14	45.0	1-1/8
5404-06-04	3/8-18	1/4-18	36.8	3/4
5404-06-06	3/8-18	3/8-18	36.8	3/4
5404-08-04	1/2-14	1/4-18	43.2	7/8
5404-08-06	1/2-14	3/8-18	43.2	7/8
5404-08-08	1/2-14	1/2-14	48.0	7/8
5404-12-06	3/4-14	3/8-18	45.0	1-1/8
5404-12-08	3/4-14	1/2-14	49.8	1-1/8
5404-12-12	3/4-14	3/4-14	49.8	1-1/8
5404-16-08	1-11-1/2	1/2-14	54.6	1-3/8
5404-16-12	1-11-1/2	3/4-14	54.6	1-3/8
5404-16-16	1-11-1/2	1-11-1/2	59.4	1-3/8
5404-20-12	1-1/4-11-1/2	3/4-14	57.4	1-3/4
5404-20-16	1-1/4-11-1/2	1-11-1/2	62.3	1-3/4
5404-20-20	1-1/4-11-1/2	1-1/4-11-1/2	63.0	1-3/4
5404-24-12	1-1/2-11-1/2	3/4-14	59.9	2
5404-24-16	1-1/2-11-1/2	1-11-1/2	64.8	2
5404-24-20	1-1/2-11-1/2	1-1/4-11-1/2	65.5	2
5404-24-24	1-1/2-11-1/2	1-1/2-11-1/2	66.3	2
5404-32-20	2-11-1/2	1-1/4-11-1/2	70.1	2-1/2
5404-32-24	2-11-1/2	1-1/2-11-1/2	70.9	2-1/2
5404-32-32	2-11-1/2	2-11-1/2	71.6	2-1/2

5404-N SERIES(NIPPLE)
 (1)&(2) MALE PIPE
 SAE#

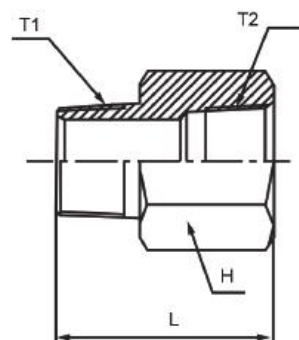


PART NUMBER	T1(NPTF)	T2(NPTF)	L	H(INCH)
5404-N-02-02 1.5	1/8-27	1/8-27	38.1	7/16
5404-N-02-02 2.0	1/8-27	1/8-27	50.8	7/16
5404-N-02-02 2.5	1/8-27	1/8-27	63.5	7/16
5404-N-02-02 3.0	1/8-27	1/8-27	76.2	7/16
5404-N-02-02 3.5	1/8-27	1/8-27	88.9	7/16
5404-N-02-02 4.0	1/8-27	1/8-27	101.6	7/16
5404-N-02-02 5.0	1/8-27	1/8-27	127.0	7/16
5404-N-04-04 1.5	1/4-18	1/4-18	38.1	5/8
5404-N-04-04 2.0	1/4-18	1/4-18	50.8	5/8
5404-N-04-04 2.5	1/4-18	1/4-18	63.5	5/8
5404-N-04-04 3.0	1/4-18	1/4-18	76.2	5/8
5404-N-04-04 3.5	1/4-18	1/4-18	88.9	5/8
5404-N-04-04 4.0	1/4-18	1/4-18	101.6	5/8
5404-N-04-04 5.0	1/4-18	1/4-18	127.0	5/8
5404-N-04-04 6.0	1/4-18	1/4-18	152.4	5/8
5404-N-06-06 2.0	3/8-18	3/8-18	50.8	3/4
5404-N-06-06 2.5	3/8-18	3/8-18	63.5	3/4
5404-N-06-06 3.0	3/8-18	3/8-18	76.2	3/4
5404-N-06-06 3.5	3/8-18	3/8-18	88.9	3/4
5404-N-06-06 4.0	3/8-18	3/8-18	101.6	3/4
5404-N-06-06 5.5	3/8-18	3/8-18	139.7	3/4
5404-N-06-06 6.0	3/8-18	3/8-18	152.4	3/4
5404-N-08-08 2.0	1/2-14	1/2-14	50.8	7/8
5404-N-08-08 2.5	1/2-14	1/2-14	63.5	7/8
5404-N-08-08 3.0	1/2-14	1/2-14	76.2	7/8
5404-N-08-08 4.0	1/2-14	1/2-14	101.6	7/8
5404-N-08-08 6.0	1/2-14	1/2-14	152.4	7/8
5404-N-12-12 2.0	3/4-14	3/4-14	50.8	1-1/8
5404-N-12-12 3.0	3/4-14	3/4-14	76.2	1-1/8
5404-N-12-12 3.5	3/4-14	3/4-14	88.9	1-1/8
5404-N-12-12 4.0	3/4-14	3/4-14	101.6	1-1/8
5404-N-12-12 6.0	3/4-14	3/4-14	152.4	1-1/8
5404-N-16-16 3.0	1-11-1/2	1-11-1/2	76.2	1-3/8
5404-N-16-16 6.0	1-11-1/2	1-11-1/2	152.4	1-3/8

FITTINGS & ADAPTERS

5405 SERIES (REDUCER)

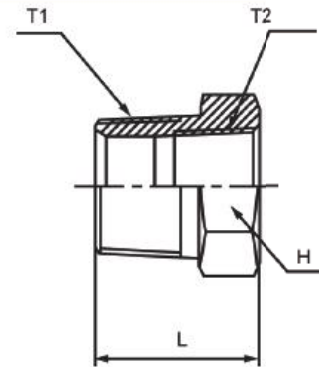
- (1) MALE PIPE
- (2) FEMALE PIPE
- SAE# 140139



PART NUMBER	T1(NPTF)	T2(NPTF)	L	H(INCH)
5405-02-02	1/8-27	1/8-27	26.4	5/8
5405-02-04	1/8-27	1/4-18	30.7	3/4
5405-02-06	1/8-27	3/8-18	32.0	7/8
5405-02-08	1/8-27	1/2-14	38.0	1-1/8
5405-04-02	1/4-18	1/8-27	30.0	5/8
5405-04-04	1/4-18	1/4-18	35.3	3/4
5405-04-06	1/4-18	3/8-18	36.6	7/8
5405-04-08	1/4-18	1/2-14	42.7	1-1/8
5405-04-12	1/4-18	3/4-14	44.2	1-3/8
5405-06-04	3/8-18	1/4-18	36.3	3/4
5405-06-06	3/8-18	3/8-18	36.6	7/8
5405-06-08	3/8-18	1/2-14	42.7	1-1/8
5405-06-12	3/8-18	3/4-14	44.2	1-3/8
5405-08-06	1/2-14	3/8-18	49.0	7/8
5405-08-08	1/2-14	1/2-14	47.5	1-1/8
5405-08-12	1/2-14	3/4-14	49.0	1-3/8
5405-08-16	1/2-14	1-11-1/2	55.4	1-5/8
5405-12-04	3/4-14	1/4-18	41.4	1-1/8
5405-12-06	3/4-14	3/8-18	41.4	1-1/8
5405-12-08	3/4-14	1/2-14	49.3	1-1/8
5405-12-12	3/4-14	3/4-14	49.0	1-3/8
5405-12-16	3/4-14	1-11-1/2	55.4	1-5/8
5405-12-20	3/4-14	1-1/4-11-1/2	57.7	2
5405-16-12	1-11-1/2	3/4-14	53.8	1-3/8
5405-16-16	1-11-1/2	1-11-1/2	60.2	1-5/8
5405-16-20	1-11-1/2	1-1/4-11-1/2	62.5	2
5405-16-24	1-11-1/2	1-1/2-11-1/2	62.7	2-3/8
5405-20-12	1-1/4-11-1/2	3/4-14	54.6	1-3/4
5405-20-16	1-1/4-11-1/2	1-11-1/2	63.3	1-3/4
5405-20-20	1-1/4-11-1/2	1-1/4-11-1/2	63.3	2
5405-20-24	1-1/4-11-1/2	1-1/2-11-1/2	63.5	2-3/8
5405-24-20	1-1/2-11-1/2	1-1/4-11-1/2	63.8	2
5405-24-24	1-1/2-11-1/2	1-1/2-11-1/2	64.3	2-3/8
5405-24-32	1-1/2-11-1/2	2-11-1/2	66.8	2-7/8
5405-32-32	2-11-1/2	2-11-1/2	67.6	2-7/8

5406 SERIES(PIPE REDUCER BUSHING)

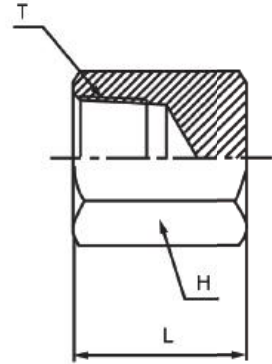
- (1) MALE PIPE
- (2) FEMALE PIPE
- SAE# 140140



PART NUMBER	T1(NPTF)	T2(NPTF)	L	H(INCH)
5406-02-01	1/8-27	1/16-27	17.3	7/16
5406-04-02	1/4-18	1/8-27	21.6	5/8
5406-06-02	3/8-18	1/8-27	21.6	3/4
5406-06-04	3/8-18	1/4-18	21.6	3/4
5406-08-01	1/2-14	1/16-27	28.2	7/8
5406-08-02	1/2-14	1/8-27	27.9	7/8
5406-08-04	1/2-14	1/4-18	27.9	7/8
5406-08-06	1/2-14	3/8-18	27.9	7/8
5406-12-02	3/4-14	1/8-27	29.7	1-1/8
5406-12-04	3/4-14	1/4-18	29.7	1-1/8
5406-12-06	3/4-14	3/8-18	29.7	1-1/8
5406-12-08	3/4-14	1/2-14	29.7	1-1/8
5406-16-02	1-11-1/2	1/8-27	34.5	1-3/8
5406-16-04	1-11-1/2	1/4-18	34.5	1-3/8
5406-16-06	1-11-1/2	3/8-18	34.5	1-3/8
5406-16-08	1-11-1/2	1/2-14	34.5	1-3/8
5406-16-12	1-11-1/2	3/4-14	34.5	1-3/8
5406-20-04	1-1/4-11-1/2	1/4-18	37.3	1-3/4
5406-20-06	1-1/4-11-1/2	3/8-18	37.3	1-3/4
5406-20-08	1-1/4-11-1/2	1/2-14	37.3	1-3/4
5406-20-12	1-1/4-11-1/2	3/4-14	37.3	1-3/4
5406-20-16	1-1/4-11-1/2	1-11-1/2	37.3	1-3/4
5406-24-04	1-1/2-11-1/2	1/4-18	39.9	2
5406-24-06	1-1/2-11-1/2	3/8-18	39.9	2
5406-24-08	1-1/2-11-1/2	1/2-14	39.9	2
5406-24-12	1-1/2-11-1/2	3/4-14	39.9	2
5406-24-16	1-1/2-11-1/2	1-11-1/2	39.9	2
5406-24-20	1-1/2-11-1/2	1-1/4-11-1/2	39.9	2
5406-32-08	2-11-1/2	1/2-14	44.5	2-1/2
5406-32-12	2-11-1/2	3/4-14	44.5	2-1/2
5406-32-16	2-11-1/2	1-11-1/2	44.5	2-1/2
5406-32-20	2-11-1/2	1-1/4-11-1/2	44.5	2-1/2
5406-32-24	2-11-1/2	1-1/2-11-1/2	44.5	2-1/2

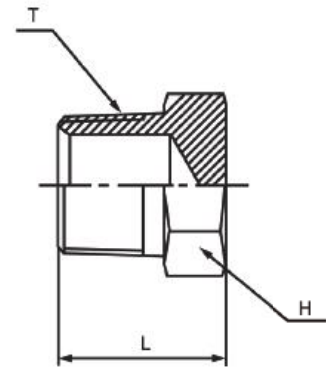
FITTINGS & ADAPTERS

5406-C SERIES
 (1) FEMALE PIPE
 SAE#



PART NUMBER	T(NPTF)	L	H(INCH)
5406-C-02	1/8-27	19.1	9/16
5406-C-04	1/4-18	23.1	3/4
5406-C-06	3/8-18	26.2	7/8
5406-C-08	1/2-14	34.0	1-1/16
5406-C-12	3/4-14	36.6	1-1/4

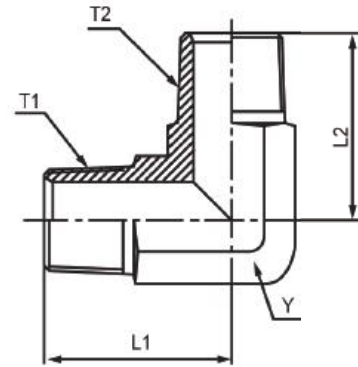
5406-P SERIES(PLUG)
 (1) MALE PLUG
 SAE# 130139E



PART NUMBER	T(NPTF)	L	H(INCH)
5406-P-02	1/8-27	14.3	7/16
5406-P-04	1/4-18	18.8	9/16
5406-P-06	3/8-18	19.6	11/16
5406-P-08	1/2-14	24.4	7/8
5406-P-12	3/4-14	28.8	1-1/8
5406-P-16	1-11-1/2	34.6	1-3/8
5406-P-20	1-1/4-11-1/2	36.3	1-3/4
5406-P-24	1-1/2-11-1/2	38.9	2
5406-P-32	2-11-1/2	43.5	2-1/2

FITTINGS & ADAPTERS

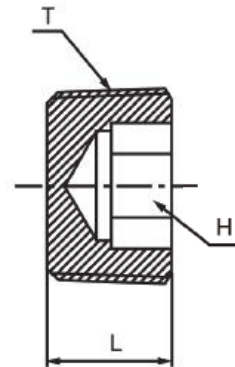
5500 SERIES(90 ELBOW)
(1)&(2) MALE PIPE
SAE#



PART NUMBER	T1(NPTF)	T2(NPTF)	L1	L2	Y(INCH)
5500-02-02	1/8-27	1/8-27	18.3	18.3	5/8
5500-02-06	1/8-27	3/8-18	24.0	31.0	3/4
5500-04-02	1/4-18	1/8-27	27.7	22.4	9/16
5500-04-04	1/4-18	1/4-18	27.7	27.7	9/16
5500-06-04	3/8-18	1/4-18	31.0	28.5	3/4
5500-06-06	3/8-18	3/8-18	31.0	31.0	3/4
5500-08-04	1/2-14	1/4-18	37.3	32.5	7/8
5500-08-06	1/2-14	3/8-18	37.3	32.5	7/8
5500-08-08	1/2-14	1/2-14	37.3	37.3	7/8
5500-12-06	3/4-14	3/8-18	40.4	32.9	1-1/16
5500-12-08	3/4-14	1/2-14	40.4	40.4	1-1/16
5500-12-12	3/4-14	3/4-14	40.4	40.4	1-1/16
5500-12-16	3/4-14	1-11-1/2	45.2	50.0	1-5/16
5500-16-08	1-11-1/2	1/2-14	50.0	45.2	1-5/16
5500-16-12	1-11-1/2	3/4-14	50.0	45.2	1-5/16
5500-16-16	1-11-1/2	1-11-1/2	50.0	45.2	1-5/16
5500-16-20	1-11-1/2	1-1/4-11-1/2	52.0	60.5	1-5/8
5500-20-20	1-1/4-11-1/2	1-1/4-11-1/2	60.5	60.5	1-5/8
5500-24-20	1-1/2-11-1/2	1-1/4-11-1/2	67.1	60.5	1-7/8
5500-24-24	1-1/2-11-1/2	1-1/2-11-1/2	67.1	67.1	1-7/8
5500-32-32	2-11-1/2	2-11-1/2	76.2	76.2	2-1/2

5406-HHP SERIES

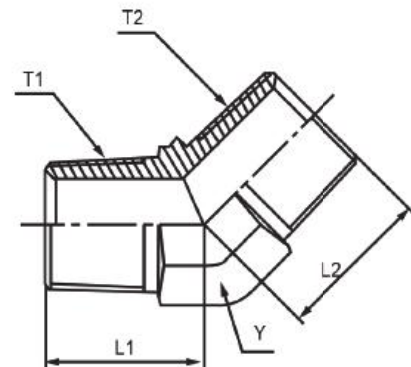
SAE#



PART NUMBER	T(NPTF)	L	H(INCH)
5406-HHP-01	1/16-27	7.9	5/32
5406-HHP-02	1/8-27	7.9	3/16
5406-HHP-04	1/4-18	12.1	1/4
5406-HHP-06	3/8-18	12.1	5/16
5406-HHP-08	1/2-14	16.0	3/8
5406-HHP-12	3/4-14	16.3	9/16
5406-HHP-16	1-11-1/2	20.1	5/8
5406-HHP-20	1-1/4-11-1/2	21.1	3/4
5406-HHP-24	1-1/2-11-1/2	21.1	3/4
5406-HHP-32	2-11-1/2	22.1	3/4

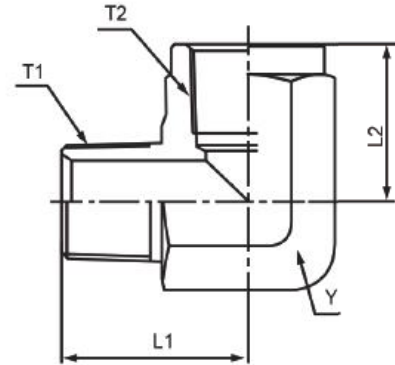
FITTINGS & ADAPTERS

5501 SERIES (45 ELBOW)
 (1)&(2) MALE PIPE
 SAE#



PART NUMBER	T1(NPTF)	T2(NPTF)	L1	L2	Y(INCH)
5501-02-02	1/8-27	1/8-27	16.2	16.2	5/8
5501-04-04	1/4-18	1/4-18	21.8	21.8	9/16
5501-06-06	3/8-18	3/8-18	24.1	24.1	3/4
5501-08-08	1/2-14	1/2-14	29.7	29.7	7/8
5501-12-04	3/4-14	1/4-18	30.5	27.9	1-1/16
5501-12-12	3/4-14	3/4-14	30.5	30.5	1-1/16
5501-16-16	1-11-1/2	1-11-1/2	37.6	37.6	1-5/16
5501-20-20	1-1/4-11-1/2	1-1/4-11-1/2	42.4	42.4	1-5/8
5501-24-24	1-1/2-11-1/2	1-1/2-11-1/2	45.0	45.0	1-7/8
5501-32-32	2-11-1/2	2-11-1/2	53.6	53.6	2-1/2

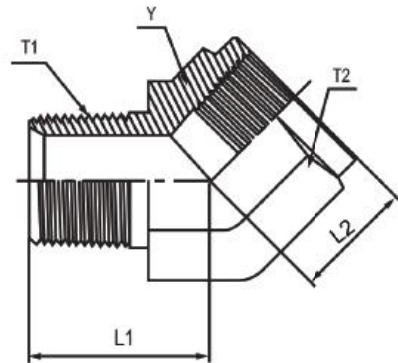
5502 SERIES (90 ELBOW)
 (1) MALE PIPE
 (2) FEMALE PIPE
 SAE# 140239



PART NUMBER	T1(NPTF)	T2(NPTF)	L1	L2	Y(INCH)
5502-02-02	1/8-27	1/8-27	19.8	16.8	9/16
5502-02-04	1/8-27	1/4-18	22.9	22.4	3/4
5502-02-06	1/8-27	3/8-18	24.7	25.9	7/8
5502-04-02	1/4-18	1/8-27	27.7	17.0	9/16
5502-04-04	1/4-18	1/4-18	27.7	22.4	3/4
5502-04-06	1/4-18	3/8-18	31.1	25.9	7/8
5502-04-08	1/4-18	1/2-14	32.5	31.2	1-1/16
5502-06-02	3/8-18	1/8-27	31.1	20.3	7/8
5502-06-04	3/8-18	1/4-18	31.1	25.7	7/8
5502-06-06	3/8-18	3/8-18	31.1	25.9	7/8
5502-06-08	3/8-18	1/2-14	32.5	31.2	1-1/16
5502-08-04	1/2-14	1/4-18	37.3	25.4	7/8
5502-08-06	1/2-14	3/8-18	37.3	25.9	7/8
5502-08-08	1/2-14	1/2-14	37.3	31.2	1-1/16
5502-08-12	1/2-14	3/4-14	40.4	34.5	1-5/16
5502-12-06	3/4-14	3/8-18	40.4	29.7	1-1/16
5502-12-08	3/4-14	1/2-14	40.4	31.2	1-1/16
5502-12-12	3/4-14	3/4-14	40.4	34.5	1-5/16
5502-12-16	3/4-14	1-11-1/2	46.3	41.1	1-5/8
5502-16-16	1-11-1/2	1-11-1/2	50.0	41.2	1-5/8
5502-16-20	1-11-1/2	1-1/4-11-1/2	60.5	43.2	1-7/8
5502-20-12	1-1/4-11-1/2	3/4-14	60.5	36.8	1-5/8
5502-20-16	1-1/4-11-1/2	1-11-1/2	60.5	41.2	1-5/8
5502-20-20	1-1/4-11-1/2	1-1/4-11-1/2	60.5	43.2	1-7/8
5502-20-24	1-1/4-11-1/2	1-1/2-11-1/2	67.1	52.8	
5502-24-20	1-1/2-11-1/2	1-1/4-11-1/2	67.1	43.2	1-7/8
5502-24-24	1-1/2-11-1/2	1-1/2-11-1/2	67.1	52.8	
5502-32-32	2-11-1/2	2-11-1/2	76.2	60.7	

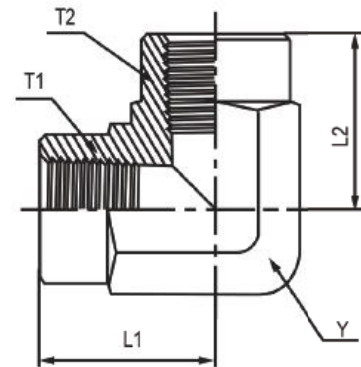
FITTINGS & ADAPTERS

5503 SERIES (45 ELBOW)
 (1) MALE PIPE
 (2) FEMALE PIPE
 SAE# 140339



PART NUMBER	T1(NPTF)	T2(NPTF)	L1	L2	Y(INCH)
5503-02-02	1/8-27	1/8-27	18.3	11.9	9/16
5503-04-04	1/4-18	1/4-18	26.7	15.8	3/4
5503-06-06	3/8-18	3/8-18	26.9	18.3	7/8
5503-08-08	1/2-14	1/2-14	34.0	23.1	1-1/16
5503-12-12	3/4-14	3/4-14	35.1	24.6	1-5/16
5503-16-16	1-11-1/2	1-11-1/2	43.7	28.5	1-5/8
5503-20-20	1-1/4-11-1/2	1-1/4-11-1/2	45.7	41.4	1-7/8
5503-24-24	1-1/2-11-1/2	1-1/2-11-1/2	52.3	42.9	2-5/8

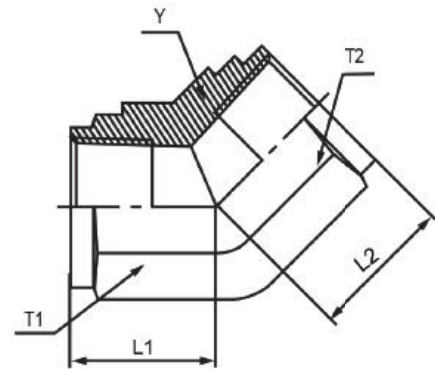
5504 SERIES (90 ELBOW)
 (1)&(2) FEMALE PIPE
 SAE# 140238



PART NUMBER	T1(NPTF)	T2(NPTF)	L1	L2	Y(INCH)
5504-02-02	1/8-27	1/8-27	16.8	16.8	9/16
5504-04-02	1/4-18	1/8-27	22.4	17.0	3/4
5504-04-04	1/4-18	1/4-18	22.4	22.4	3/4
5504-06-04	3/8-18	1/4-18	25.9	25.7	7/8
5504-06-06	3/8-18	3/8-18	25.9	25.9	7/8
5504-08-04	1/2-14	1/4-18	31.2	25.4	1-1/16
5504-08-06	1/2-14	3/8-18	31.2	25.7	1-1/16
5504-08-08	1/2-14	1/2-14	31.2	31.2	1-1/16
5504-12-06	3/4-14	3/8-18	34.5	30.2	1-5/16
5504-12-08	3/4-14	1/2-14	34.5	34.3	1-5/16
5504-12-12	3/4-14	3/4-14	34.5	34.5	1-5/16
5504-16-08	1-11-1/2	1/2-14	41.2	35.3	1-5/8
5504-16-12	1-11-1/2	3/4-14	41.2	35.3	1-5/8
5504-16-16	1-11-1/2	1-11-1/2	41.2	41.2	1-5/8
5504-20-12	1-1/4-11-1/2	3/4-14	43.2	38.5	1-7/8
5504-20-16	1-1/4-11-1/2	1-11-1/2	43.2	42.9	1-7/8
5504-20-20	1-1/4-11-1/2	1-1/4-11-1/2	43.2	43.2	1-7/8
5504-24-20	1-1/2-11-1/2	1-1/4-11-1/2	52.8	52.5	2-5/8
5504-24-24	1-1/2-11-1/2	1-1/2-11-1/2	52.8	52.8	2-5/8
5504-32-32	2-11-1/2	2-11-1/2	60.7	60.7	2-13/16

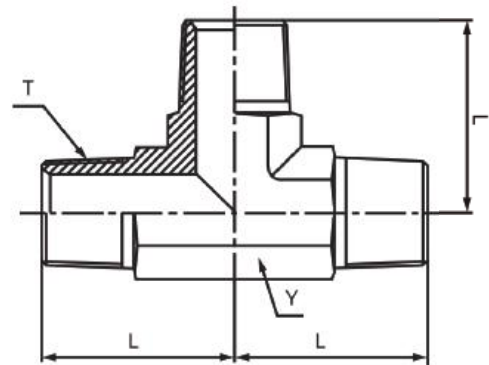
FITTINGS & ADAPTERS

5505 SERIES (45 ELBOW)
 (1)&(2) FEMALE PIPE
 SAE# 140338



PART NUMBER	T1(NPTF)	T2(NPTF)	L1	L2	Y(INCH)
5505-02-02	1/8-27	1/8-27	12.7	12.7	9/16
5505-04-04	1/4-18	1/4-18	17.5	17.5	3/4
5505-06-06	3/8-18	3/8-18	19.1	19.1	7/8
5505-08-08	1/2-14	1/2-14	23.9	23.9	1-1/16
5505-12-12	3/4-14	3/4-14	25.4	25.4	1-5/16
5505-16-16	1-11-1/2	1-11-1/2	30.2	30.2	1-5/8
5505-20-20	1-1/4-11-1/2	1-1/4-11-1/2	36.6	36.6	1-7/8

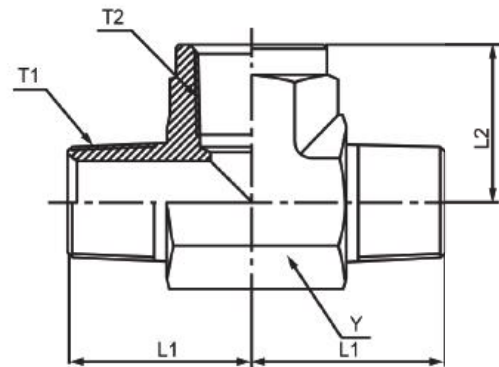
5600 SERIES(TEE)
 (1)(2)&(3) MALE PIPE
 SAE#



PART NUMBER	T(NPTF)	L	Y(INCH)
5600-02-02-02	1/8-27	18.3	7/16
5600-04-04-04	1/4-18	27.7	9/16
5600-06-06-06	3/8-18	31.0	3/4
5600-08-08-08	1/2-14	37.3	7/8
5600-12-12-12	3/4-14	40.4	1-1/16
5600-16-16-16	1-11-1/2	50.0	1-5/16
5600-20-20-20	1-1/4-11-1/2	60.5	1-5/8
5600-32-32-32	2-11-1/2	76.2	2-1/2

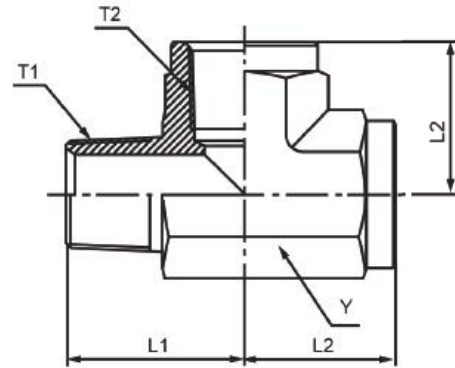
FITTINGS & ADAPTERS

5601 SERIES(TEE)
 (1)&(2) MALE PIPE
 (3) FEMALE PIPE
 SAE#



PART NUMBER	T1(NPTF)	T2(NPTF)	L1	L2	Y(INCH)
5601-02-02-02	1/8-27	1/8-27	19.8	16.8	9/16
5601-04-04-04	1/4-18	1/4-18	27.7	22.4	3/4
5601-06-06-06	3/8-18	3/8-18	31.0	25.9	7/8
5601-08-08-08	1/2-14	1/2-14	37.3	31.2	1-1/16
5601-12-12-12	3/4-14	3/4-14	40.4	34.5	1-5/16
5601-16-16-16	1-11-1/2	1-11-1/2	50.0	41.2	1-5/8
5601-20-20-20	1-1/4-11-1/2	1-1/4-11-1/2	60.5	43.2	1-7/8
5601-24-24-24	1-1/2-11-1/2	1-1/2-11-1/2	67.1	52.8	2-9/16

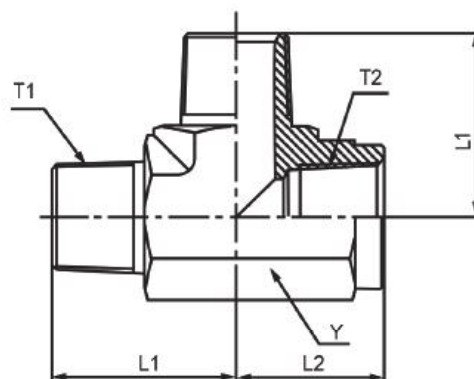
5602 SERIES(TEE)
 (1) MALE PIPE
 (2)&(3) FEMALE PIPE
 SAE# 140424



PART NUMBER	T1(NPTF)	T2(NPTF)	L1	L2	Y(INCH)
5602-02-02-02	1/8-27	1/8-27	19.8	16.8	9/16
5602-02-04-04	1/8-27	1/4-18	22.9	22.4	3/4
5602-04-04-04	1/4-18	1/4-18	27.7	22.4	3/4
5602-06-06-06	3/8-18	3/8-18	31.0	25.9	7/8
5602-08-08-08	1/2-14	1/2-14	37.3	31.2	1-1/16
5602-12-12-12	3/4-14	3/4-14	40.4	34.5	1-5/16
5602-16-16-16	1-11-1/2	1-11-1/2	50.0	41.2	1-5/8
5602-20-20-20	1-1/4-11-1/2	1-1/4-11-1/2	60.5	43.2	1-7/8
5602-24-24-24	1-1/2-11-1/2	1-1/2-11-1/2	67.1	52.8	2-9/16
5602-32-32-32	2-11-1/2	2-11-1/2	76.2	60.7	2-13/16

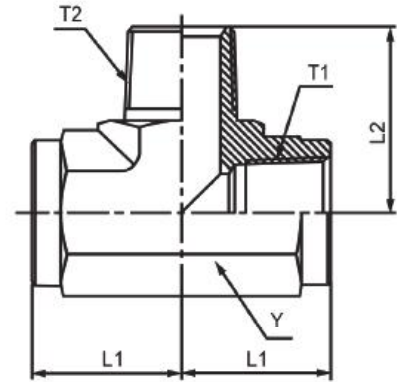
FITTINGS & ADAPTERS

5603 SERIES(TEE)
 (1)&(3) MALE PIPE
 (2) FEMALE PIPE
 SAE#



PART NUMBER	T1(NPTF)	T2(NPTF)	L1	L2	Y(INCH)
5603-02-02-02	1/8-27	1/8-27	19.8	16.8	9/16
5603-04-04-04	1/4-18	1/4-18	27.7	22.4	3/4
5603-06-06-06	3/8-18	3/8-18	31.0	25.9	7/8
5603-08-08-08	1/2-14	1/2-14	37.3	31.2	1-1/16
5603-12-12-12	3/4-14	3/4-14	40.4	34.5	1-5/16
5603-16-16-16	1-11-1/2	1-11-1/2	50.0	41.2	1-5/8
5603-20-20-20	1-1/4-11-1/2	1-1/4-11-1/2	60.5	43.2	1-7/8
5603-24-24-24	1-1/2-11-1/2	1-1/2-11-1/2	67.1	52.8	2-9/16
5603-32-32-32	2-11-1/2	2-11-1/2	76.2	60.7	2-13/16

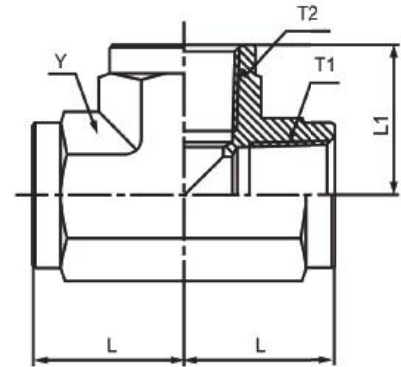
5604 SERIES(TEE)
 (1)&(2) FEMALE PIPE
 (3) MALE PIPE
 SAE# 140425



PART NUMBER	T1(NPTF)	T2(NPTF)	L1	L2	Y(INCH)
5604-02-02-02	1/8-27	1/8-27	16.8	19.8	9/16
5604-04-04-02	1/4-18	1/8-27	22.4	22.9	3/4
5604-04-04-04	1/4-18	1/4-18	22.4	27.7	3/4
5604-06-06-06	3/8-18	3/8-18	25.9	31.0	7/8
5604-08-08-08	1/2-14	1/2-14	31.2	37.3	1-1/16
5604-12-12-08	3/4-14	1/2-14	34.5	40.4	1-5/16
5604-12-12-12	3/4-14	3/4-14	34.5	40.3	1-5/16
5604-16-16-16	1-11-1/2	1-11-1/2	41.2	50.0	1-5/8
5604-20-20-20	1-1/4-11-1/2	1-1/4-11-1/2	43.2	60.5	1-7/8
5604-24-24-24	1-1/2-11-1/2	1-1/2-11-1/2	52.8	67.1	2-9/16
5604-32-32-32	2-11-1/2	2-11-1/2	60.7	76.2	2-13/16

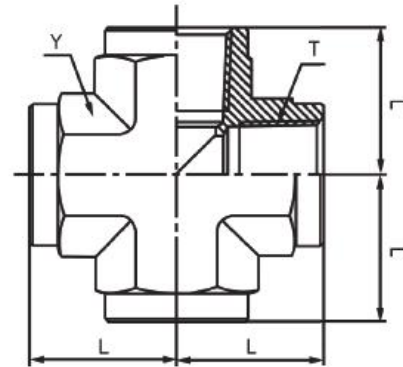
FITTINGS & ADAPTERS

5605 SERIES(TEE)
 (1)(2)&(3) FEMALE PIPE
 SAE# 140438



PART NUMBER	T1(NPTF)	T2(NPTF)	L	L1	Y(INCH)
5605-02-02-02	1/8-27	1/8-27	16.8	16.8	9/16
5605-04-04-02	1/4-18	1/8-27	22.4	16.8	3/4
5605-04-04-04	1/4-18	1/4-18	22.4	22.4	3/4
5605-06-06-06	3/8-18	3/8-18	25.9	25.9	7/8
5605-06-06-08	3/8-18	1/2-14	25.9	31.2	1-1/16
5605-08-08-08	1/2-14	1/2-14	31.2	31.2	1-1/16
5605-12-12-12	3/4-14	3/4-14	34.5	34.5	1-5/16
5605-16-16-16	1-11-1/2	1-11-1/2	41.2	41.2	1-5/8
5605-20-20-20	1-1/4-11-1/2	1-1/4-11-1/2	43.2	43.2	1-7/8
5605-24-24-24	1-1/2-11-1/2	1-1/2-11-1/2	52.8	52.8	2-9/16
5605-32-32-32	2-11-1/2	2-11-1/2	60.7	60.7	2-13/16

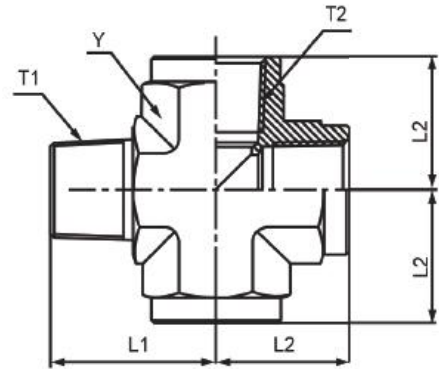
5652 SERIES(CROSS)
 (1) (2) (3) (4) FEMALE PIPE
 SAE#



PART NUMBER	T(NPTF)	L	Y(INCH)
5652-02-02-02-02	1/8-27	16.8	9/16
5652-04-04-04-04	1/4-18	22.4	3/4
5652-06-06-06-06	3/8-18	25.9	7/8
5652-08-08-08-08	1/2-14	31.2	1-1/16
5652-12-12-12-12	3/4-14	34.5	1-5/16
5652-16-16-16-16	1-11-1/2	41.2	1-5/8
5652-20-20-20-20	1-1/4-11-1/2	43.2	1-7/8
5652-24-24-24-24	1-1/2-11-1/2	52.8	2-9/16
5652-32-32-32-32	2-11-1/2	60.7	2-13-16





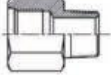


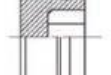


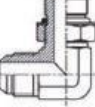
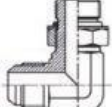
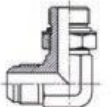
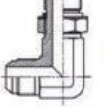

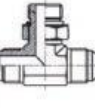

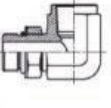
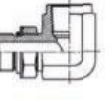

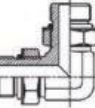
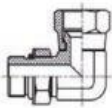

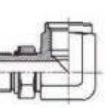
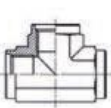
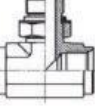
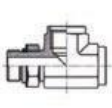
FITTINGS & ADAPTERS

5655 SERIES(CROSS)
 (1) MALE PIPE
 (2),(3)&(4) FEMALE PIPE
 SAE#



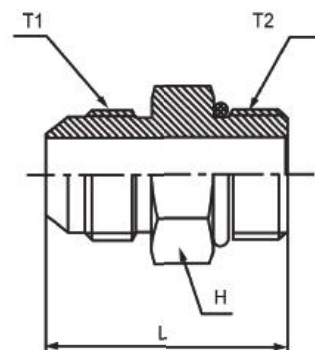
PART NUMBER	T1(NPTF)	T2(NPTF)	L1	L2	Y(INCH)
5655-02-02-02-02	1/8-27	1/8-27	19.8	16.8	9/16
5655-04-04-04-04	1/4-18	1/4-18	27.7	22.4	3/4
5655-06-06-06-06	3/8-18	3/8-18	31.0	25.9	7/8
5655-08-08-08-08	1/2-14	1/2-14	37.3	31.2	1-1/16
5655-12-12-12-12	3/4-14	3/4-14	40.4	34.5	1-5/16

ADJUSTABLE AND O-RING FITTINGS PRODUCT INDEX

<p>(070120)</p>  <p>6400 (1) 37° MALE TUBE (2) O-RING BOSS P115</p>	<p>(070122)</p>  <p>6400-L (1) 37° MALE TUBE (2) O-RING BOSS P117</p>	 <p>6401 (1) O-RING BOSS (2) MALE PIPE P118</p>	 <p>6402 (1) O-RING BOSS (2) 37° FEMALE SWIVEL P119</p>	 <p>6404 (1) O-RING FEMALE BOSS (2) MALE PIPE P120</p>
 <p>6405 (1) O-RING BOSS (2) FEMALE PIPE P121</p>	<p>(090109A)</p>  <p>6408 HEXAGON HEAD O-RING BOSS PLUG P123</p>	<p>(090109B)</p>  <p>6408-HHP HEXAGON SOCKET O-RING BOSS PLUG P124</p>	 <p>6410 (1) O-RING BOSS (2) O-RING FEMALE BOSS P125</p>	<p>(070102)</p>  <p>6464 (1) O-RING BOSS (2) ADJUSTABLE O-RING P127</p>
<p>(070220)</p>  <p>6801 (1) 37° MALE TUBE (2) ADJUSTABLE O-RING P128</p>	 <p>6801-L (1) 37° MALE FLARE (2) ADJUSTABLE O-RING-LONG P129</p>	 <p>6801-LL (1) 37° MALE FLARE (2) ADJUSTABLE O-RING-X-LONG P130</p>	 <p>6801-LLL (1) 37° MALE FLARE (2) ADJUSTABLE O-RING-Y-LONG P131</p>	 <p>6802 (1) 37° MALE TUBE (2) ADJUSTABLE O-RING P132</p>
<p>(070429)</p>  <p>6803 (1) &(2) 37° MALE TUBE (3) ADJUSTABLE O-RING P133</p>	<p>(070428)</p>  <p>6804 (1) &(3) 37° MALE TUBE (2) ADJUSTABLE O-RING P134</p>	 <p>6805 (1) ADJUSTABLE O-RING (2) FEMALE PIPE P135</p>	 <p>6805-L (1) ADJUSTABLE O-RING (2) FEMALE PIPE P136</p>	 <p>6806 (1) ADJUSTABLE O-RING (2) MALE PIPE P137</p>
 <p>6807 (1)&(4) ADJUSTABLE O-RING P138</p>	 <p>6809 (1) ADJUSTABLE O-RING (2) 37° FEMALE SWIVEL P139</p>	 <p>6810 (1) ADJUSTABLE O-RING (2) 37° FEMALE SWIVEL P140</p>	 <p>6815 (1) ADJUSTABLE O-RING (2) O-RING FEMALE BOSS P141</p>	 <p>6868 (1)&(2)&(3) O-RING FEMALE BOSS P142</p>
 <p>6870 (1)&(2) O-RING FEMALE BOSS (3) ADJUSTABLE O-RING P143</p>	 <p>6871 (1) ADJUSTABLE O-RING (2)&(3) O-RING FEMALE BOSS P144</p>			

FITTINGS & ADAPTERS

6400 SERIES(STRAIGHT)
 (1) 37 MALE TUBE
 (2) O-RING BOSS
 SAE# 070120

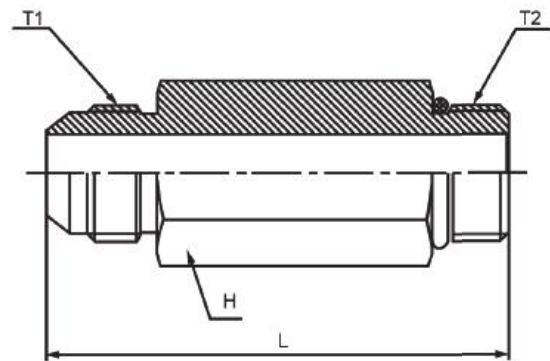


PART NUMBER	T1(UNF/UN-2A)	T2(UNF/UN-2A)	L	H(INCH)
6400-02-02-O	5/16-24	5/16-24	26.9	7/16
6400-03-03-O	3/8-24	3/8-24	27.9	1/2
6400-03-05-O	3/8-24	1/2-20	29.5	5/8
6400-04-02-O	7/16-20	5/16-24	29.7	1/2
6400-04-03-O	7/16-20	3/8-24	29.7	1/2
6400-04-04-O	7/16-20	7/16-20	31.2	9/16
6400-04-05-O	7/16-20	1/2-20	31.2	5/8
6400-04-06-O	7/16-20	9/16-18	32.8	11/16
6400-04-08-O	7/16-20	3/4-16	34.8	7/8
6400-04-10-O	7/16-20	7/8-14	37.9	1
6400-04-12-O	7/16-20	1-1/16-12	42.2	1-1/4
6400-05-03-O	1/2-20	3/8-24	29.7	9/16
6400-05-04-O	1/2-20	7/16-20	31.2	5/8
6400-05-05-O	1/2-20	1/2-20	31.2	5/8
6400-05-06-O	1/2-20	9/16-18	32.8	11/16
6400-05-08-O	1/2-20	3/4-16	34.8	7/8
6400-05-10-O	1/2-20	7/8-14	37.9	1
6400-06-04-O	9/16-18	7/16-20	32.3	5/8
6400-06-05-O	9/16-18	1/2-20	32.3	5/8
6400-06-06-O	9/16-18	9/16-18	33.0	11/16
6400-06-10-O	9/16-18	7/8-14	38.0	1
6400-06-12-O	9/16-18	1-1/16-12	42.2	1-1/4
6400-06-16-O	9/16-18	1-5/16-12	42.8	1-1/2
6400-08-02-O	3/4-16	5/16-24	36.3	13/16
6400-08-04-O	3/4-16	7/16-20	37.9	13/16
6400-08-05-O	3/4-16	1/2-20	37.9	13/16
6400-08-06-O	3/4-16	9/16-18	36.6	13/16
6400-08-08-O	3/4-16	3/4-16	37.6	7/8
6400-08-10-O	3/4-16	7/8-14	40.6	1
6400-08-12-O	3/4-16	1-1/16-12	44.7	1-1/4
6400-08-16-O	3/4-16	1-5/16-12	45.5	1-1/2
6400-10-02-O	7/8-14	5/16-24	40.4	15/16
6400-10-04-O	7/8-14	7/16-20	41.9	15/16
6400-10-06-O	7/8-14	9/16-18	43.4	15/16

PART NUMBER	T1(UNF/UN-2A)	T2(UNF/UN-2A)	L	H(INCH)
6400-10-08-O	7/8-14	3/4-16	41.7	15/16
6400-10-10-O	7/8-14	7/8-14	43.2	1
6400-10-12-O	7/8-14	1-1/16-12	47.2	1-1/4
6400-10-14-O	7/8-14	1-3/16-12	47.3	1-3/8
6400-10-16-O	7/8-14	1-5/16-12	48.0	1-1/2
6400-10-20-O	7/8-14	1-5/8-12	50.0	1-7/8
6400-12-04-O	1-1/16-12	7/16-20	46.5	1-1/8
6400-12-06-O	1-1/16-12	9/16-18	47.2	1-1/8
6400-12-08-O	1-1/16-12	3/4-16	49.3	1-1/8
6400-12-10-O	1-1/16-12	7/8-14	47.8	1-1/8
6400-12-12-O	1-1/16-12	1-1/16-12	50.1	1-1/4
6400-12-14-O	1-1/16-12	1-3/16-12	49.8	1-3/8
6400-12-16-O	1-1/16-12	1-5/16-12	50.6	1-1/2
6400-12-20-O	1-1/16-12	1-5/8-12	52.8	1-7/8
6400-12-24-O	1-1/16-12	1-7/8-12	55.6	2-1/8
6400-14-08-O	1-3/16-12	3/4-16	49.8	1-1/4
6400-14-10-O	1-3/16-12	7/8-14	51.3	1-1/4
6400-14-12-O	1-3/16-12	1-1/16-12	50.6	1-1/4
6400-14-14-O	1-3/16-12	1-3/16-12	50.6	1-3/8
6400-14-16-O	1-3/16-12	1-5/16-12	51.3	1-1/2
6400-16-08-O	1-5/16-12	3/4-16	51.1	1-3/8
6400-16-10-O	1-5/16-12	7/8-14	52.6	1-3/8
6400-16-12-O	1-5/16-12	1-1/16-12	51.8	1-3/8
6400-16-16-O	1-5/16-12	1-5/16-12	51.8	1-1/2
6400-16-20-O	1-5/16-12	1-5/8-12	53.9	1-7/8
6400-16-24-O	1-5/16-12	1-7/8-12	53.9	2-1/8
6400-20-12-O	1-5/8-12	1-1/16-12	58.4	1-11/16
6400-20-16-O	1-5/8-12	1-5/16-12	59.2	1-11/16
6400-20-20-O	1-5/8-12	1-5/8-12	55.1	1-7/8
6400-20-24-O	1-5/8-12	1-7/8-12	56.9	2-1/8
6400-24-12-O	1-7/8-12	1-1/16-12	63.5	2
6400-24-16-O	1-7/8-12	1-5/16-12	64.3	2
6400-24-20-O	1-7/8-12	1-5/8-12	64.3	2
6400-24-24-O	1-7/8-12	1-7/8-12	60.2	2-1/8
6400-24-32-O	1-7/8-12	2-1/2-12	62.3	2-3/4
6400-32-20-O	2-1/2-12	1-5/8-12	70.6	2-5/8
6400-32-24-O	2-1/2-12	1-7/8-12	70.6	2-5/8
6400-32-32-O	2-1/2-12	2-1/2-12	70.6	2-3/4

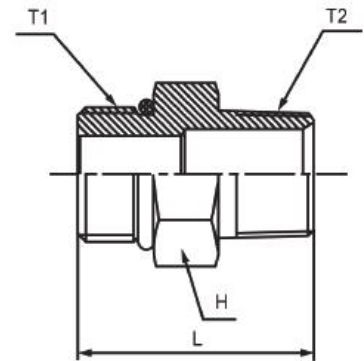
FITTINGS & ADAPTERS

6400-L SERIES(LONG STRAIGHT)
 (1) 37 MALE TUBE
 (2) O-RING BOSS
 SAE# 070122



PART NUMBER	T1(UNF/UN-2A)	T2(UNF/UN-2A)	L	H(INCH)
6400-L-04-04-O	7/16-20	7/16-20	52.8	9/16
6400-L-06-06-O	9/16-18	9/16-18	58.7	11/16
6400-L-08-08-O	3/4-16	3/4-16	68.6	7/8
6400-L-10-10-O	7/8-14	7/8-14	77.2	1
6400-L-12-12-O	1-1/16-12	1-1/16-12	91.7	1-1/4
6400-L-16-16-O	1-5/16-12	1-5/16-12	101.1	1-1/2
6400-L-20-20-O	1-5/8-12	1-5/8-12	119.1	1-7/8

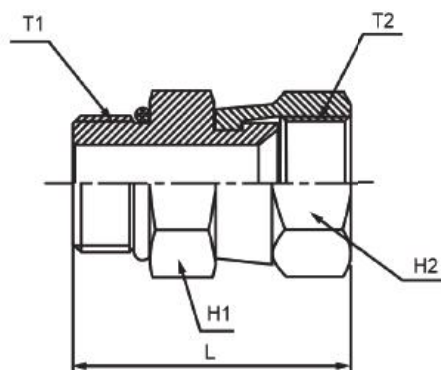
6401 SERIES (STRAIGHT)
 (1) O-RING BOSS
 (2) MALE PIPE
 SAE#



PART NUMBER	T1(UNF/UN-2A)	T2(NPTF)	L	H(INCH)
6401-04-04-O	7/16-20	1/4-18	31.3	9/16
6401-04-06-O	7/16-20	3/8-18	31.8	3/4
6401-05-02-O	1/2-20	1/8-27	26.9	5/8
6401-05-04-O	1/2-20	1/4-18	31.4	5/8
6401-06-02-O	9/16-18	1/8-27	27.5	11/16
6401-06-08-O	9/16-18	1/2-14	38.6	7/8
6401-08-04-O	3/4-16	1/4-18	35.1	7/8
6401-08-08-O	3/4-16	1/2-14	39.4	7/8
6401-08-12-O	3/4-16	3/4-14	41.5	1-1/8
6401-10-04-O	7/8-14	1/4-18	37.1	1
6401-10-06-O	7/8-14	3/8-18	38.1	1
6401-10-08-O	7/8-14	1/2-14	43.0	1
6401-10-12-O	7/8-14	3/4-14	43.1	1-1/8
6401-12-06-O	1-1/16-12	3/8-18	41.2	1-1/4
6401-12-08-O	1-1/16-12	1/2-14	47.2	1-1/4
6401-12-12-O	1-1/16-12	3/4-14	47.2	1-1/4
6401-12-16-O	1-1/16-12	1-11-1/2	50.9	1-3/8
6401-16-08-O	1-5/16-12	1/2-14	46.8	1-1/2
6401-16-12-O	1-5/16-12	3/4-14	47.8	1-1/2
6401-16-16-O	1-5/16-12	1-11-1/2	52.6	1-1/2
6401-16-20-O	1-5/16-12	1-1/4-11-1/2	54.4	
6401-20-16-O	1-5/8-12	1-11-1/2	54.7	1-7/8
6401-20-20-O	1-5/8-12	1-1/4-11-1/2	54.4	1-7/8
6401-24-16-O	1-7/8-12	1-11-1/2	56.4	2-1/8
6401-24-20-O	1-7/8-12	1-1/4-11-1/2	57.2	2-1/8
6401-24-24-O	1-7/8-12	1-1/2-11-1/2	58.1	2-1/8
6401-32-32-O	2-1/2-12	2-11-1/2	62.9	2-3/4

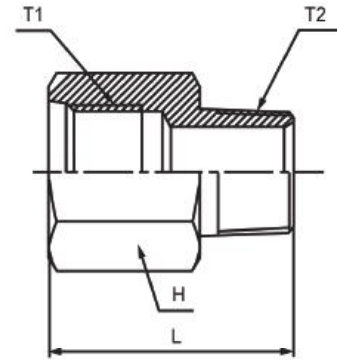
FITTINGS & ADAPTERS

6402 SERIES (STRAIGHT)
 (1) O-RING BOSS
 (2) 37 FEMALE SWIVEL
 SAE#



PART NUMBER	T1(UNF/UN-2A)	T2(UNF/UN-2B)	L	H1(INCH)	H2(INCH)
6402-03-02-O	3/8-24	5/16-24	31.6	1/2	7/16
6402-04-03-O	7/16-20	3/8-24	33.7	9/16	1/2
6402-04-04-O	7/16-20	7/16-20	34.1	9/16	9/16
6402-04-05-O	7/16-20	1/2-20	35.8	9/16	5/8
6402-04-06-O	7/16-20	9/16-18	35.8	9/16	11/16
6402-04-08-O	7/16-20	3/4-16	43.2	3/4	7/8
6402-04-10-O	7/16-20	7/8-14	47.4	7/8	1
6402-05-05-O	1/2-20	1/2-20	34.8	5/8	5/8
6402-06-04-O	9/16-18	7/16-20	34.7	11/16	9/16
6402-06-06-O	9/16-18	9/16-18	38.4	11/16	11/16
6402-06-08-O	9/16-18	3/4-16	39.9	11/16	7/8
6402-08-06-O	3/4-16	9/16-18	40.5	7/8	11/16
6402-08-08-O	3/4-16	3/4-16	42.8	7/8	7/8
6402-08-10-O	3/4-16	7/8-14	44.5	7/8	1
6402-08-12-O	3/4-16	1-1/16-12	53.0	1	1-1/4
6402-10-06-O	7/8-14	9/16-18	43.5	1	11/16
6402-10-08-O	7/8-14	3/4-16	46.0	1	7/8
6402-10-10-O	7/8-14	7/8-14	50.1	1	1
6402-10-12-O	7/8-14	1-1/16-12	51.6	1	1-1/4
6402-12-08-O	1-1/16-12	3/4-16	49.0	1-1/4	7/8
6402-12-12-O	1-1/16-12	1-1/16-12	55.7	1-1/4	1/1/4
6402-16-16-O	1-5/16-12	1-5/16-12	58.8	1-1/2	1/1/2
6402-20-20-O	1-5/8-12	1-5/8-12	61.7	1-7/8	2
6402-24-24-O	1-7/8-12	1-7/8-12	67.7	2-1/8	2-1/2
6402-32-32-O	2-1/2-12	2-1/2-12	79.1	2-3/4	3

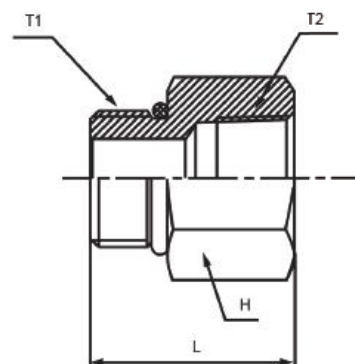
6404 SERIES(STRAIGHT)
 (1) O-RING FEMALE BOSS
 (2) MALE PIPE
 SAE#



PART NUMBER	T1(UNF/UN-2A)	T2(NPTF)	L	H(INCH)
6404-04-02-O	7/16-20	1/8-27	28.7	11/16
6404-04-04-O	7/16-20	1/4-18	33.5	11/16
6404-04-06-O	7/16-20	3/8-18	28.7	11/16
6404-05-02-O	1/2-20	1/8-27	30.0	3/4
6404-05-04-O	1/2-20	1/4-18	35.3	3/4
6404-06-04-O	9/16-18	1/8-27	35.3	7/8
6404-06-06-O	9/16-18	3/8-18	35.4	7/8
6404-06-08-O	9/16-18	1/2-14	36.8	7/8
6404-08-06-O	3/4-16	3/8-18	38.1	1
6404-08-08-O	3/4-16	1/2-14	43.2	1
6404-08-12-O	3/4-16	3/4-14	42.9	1-1/8
6404-10-06-O	7/8-14	3/8-18	41.2	1-1/8
6404-10-08-O	7/8-14	1/2-14	43.7	1-1/8
6404-10-12-O	7/8-14	3/4-14	43.7	1-1/8
6404-12-06-O	1-1/16-12	3/8-18	43.9	1-3/8
6404-12-08-O	1-1/16-12	1/2-14	49.8	1-3/8
6404-12-12-O	1-1/16-12	3/4-14	49.8	1-3/8
6404-14-12-O	1-3/16-12	3/4-14	51.8	1-1/2
6404-16-12-O	1-5/16-12	3/4-14	53.9	1-5/8
6404-16-16-O	1-5/16-12	1-11-1/2	56.4	1-5/8
6404-20-20-O	1-5/8-12	1-1/4-11-1/2	59.4	2-1/8
6404-24-24-O	1-7/8-12	1-1/2-11-1/2	58.4	2-1/4
6404-32-32-O	2-1/2-12	2-11-1/2	67.6	2-7/8

FITTINGS & ADAPTERS

6405 SERIES(STRAIGHT)
 (1)O-RING BOSS
 (2) FEMALE PIPE
 SAE#

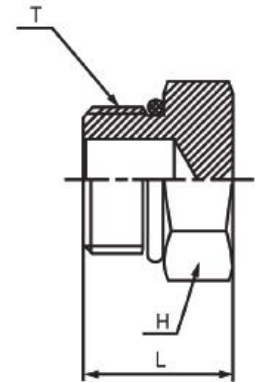


PART NUMBER	T1(UNF/UN-2A)	T2(NPTF)	L	H(INCH)
6405-02-02-O	5/16-24	1/8-27	22.4	9/16
6405-02-04-O	5/16-24	1/4-18	31.2	3/4
6405-03-02-O	3/8-24	1/8-27	22.4	9/16
6405-03-04-O	3/8-24	1/4-18	30.8	3/4
6405-04-02-O	7/16-20	1/8-27	24.6	9/16
6405-04-04-O	7/16-20	1/4-18	30.2	3/4
6405-04-06-O	7/16-20	3/8-18	30.7	7/8
6405-05-02-O	1/2-20	1/8-27	24.9	5/8
6405-05-04-O	1/2-20	1/4-18	29.5	3/4
6405-06-02-O	9/16-18	1/8-27	21.0	11/16
6405-06-04-O	9/16-18	1/4-18	29.2	3/4
6405-06-06-O	9/16-18	3/8-18	29.5	7/8
6405-06-08-O	9/16-18	1/2-14	35.6	1-1/8
6405-06-12-O	9/16-18	3/4-14	40.3	1-3/8
6405-08-02-O	3/4-16	1/8-27	20.6	7/8
6405-08-04-O	3/4-16	1/4-18	29.5	7/8
6405-08-06-O	3/4-16	3/8-18	32.5	7/8
6405-08-08-O	3/4-16	1/2-14	36.6	1-1/8
6405-08-12-O	3/4-16	3/4-14	39.1	1-3/8
6405-10-04-O	7/8-14	1/4-18	20.6	1
6405-10-06-O	7/8-14	3/8-18	39.4	1-1/8
6405-10-08-O	7/8-14	1/2-14	39.3	1-1/8
6405-10-12-O	7/8-14	3/4-14	42.2	1-3/8
6405-12-04-O	1-1/16-12	1/4-18	27.7	1-1/4
6405-12-06-O	1-1/16-12	3/8-18	27.7	1-1/4

PART NUMBER	T1(UNF/UN-2A)	T2(NPTF)	L	H(INCH)
6405-12-08-O	1-1/16-12	1/2-14	34.3	1-1/4
6405-12-12-O	1-1/16-12	3/4-14	40.4	1-3/8
6405-12-16-O	1-1/16-12	1-11-1/2	48.5	1-5/8
6405-14-12-O	1-3/16-12	3/4-14	40.5	1-3/8
6405-14-16-O	1-3/16-12	1-11-1/2	44.5	1-5/8
6405-16-06-O	1-5/16-12	3/8-18	28.7	1-1/2
6405-16-08-O	1-5/16-12	1/2-14	40.9	1-1/2
6405-16-12-O	1-5/16-12	3/4-14	38.4	1-1/2
6405-16-16-O	1-5/16-12	1-11-1/2	46.8	1-5/8
6405-16-20-O	1-5/16-12	1-1/4-11-1/2	47.5	2
6405-16-24-O	1-5/16-12	1-1/2-11-1/2	50.6	2-5/16
6405-20-08-O	1-5/8-12	1/2-14	30.4	1-7/8
6405-20-12-O	1-5/8-12	3/4-14	25.4	1-7/8
6405-20-20-O	1-5/8-12	1-1/4-11-1/2	47.6	2
6405-20-24-O	1-5/8-12	1-1/2-11-1/2	50.6	2-5/16
6405-20-32-O	1-5/8-12	2-11-1/2	57.2	2-7/8
6405-24-12-O	1-7/8-12	3/4-14	25.4	2-1/8
6405-24-16-O	1-7/8-12	1-11-1/2	25.4	2-1/8
6405-24-20-O	1-7/8-12	1-1/4-11-1/2	46.4	2-1/8
6405-24-24-O	1-7/8-12	1-1/2-11-1/2	54.4	2-5/16
6405-32-16-O	2-1/2-12	1-11-1/2	36.4	2-3/4
6405-32-24-O	2-1/2-12	1-1/2-11-1/2	50.8	2-3/4
6405-32-32-O	2-1/2-12	2-11-1/2	52.3	2-7/8

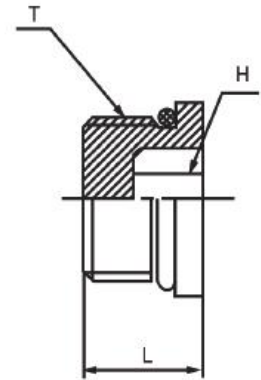
FITTINGS & ADAPTERS

6408 SERIES
 HEXAGN HEAD O-RING BOSS PLUG
 SAE# 090109A



PART NUMBER	T(UNF/UN-2A)	L	H(INCH)
6408-02-O	5/16-24	15.2	7/16
6408-03-O	3/8-24	15.2	1/2
6408-04-O	7/16-20	17.0	9/16
6408-05-O	1/2-20	17.0	5/8
6408-06-O	9/16-18	18.5	11/16
6408-08-O	3/4-16	20.3	7/8
6408-10-O	7/8-14	23.6	1
6408-12-O	1-1/16-12	27.7	1-1/4
6408-14-O	1-3/16-12	27.7	1-3/8
6408-16-O	1-5/16-12	28.4	1-1/2
6408-20-O	1-5/8-12	30.5	1-7/8
6408-24-O	1-7/8-12	32.3	2-1/8
6408-32-O	2-1/2-12	36.3	2-3/4

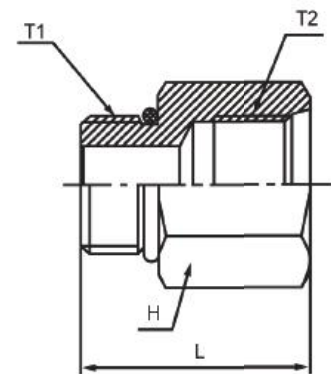
6408-HHP SERIES (OR 6409)
 HEXAGON SOCKET O-RING BOSS PLUG
 SAE# 090109B



PART NUMBER	T(UNF/UN-2A)	L	H(INCH)
6408-HHP-02-O	5/16-24	10.2	1/8
6408-HHP-03-O	3/8-24	10.2	1/8
6408-HHP-04-O	7/16-20	11.9	3/16
6408-HHP-05-O	1/2-20	11.9	3/16
6408-HHP-06-O	9/16-18	12.7	1/4
6408-HHP-08-O	3/4-16	14.7	5/16
6408-HHP-10-O	7/8-14	16.5	3/8
6408-HHP-12-O	1-1/16-12	19.6	9/16
6408-HHP-14-O	1-3/16-12	19.6	9/16
6408-HHP-16-O	1-5/16-12	19.6	5/8
6408-HHP-20-O	1-5/8-12	19.6	3/4
6408-HHP-24-O	1-7/8-12	19.6	3/4
6408-HHP-32-O	2-1/2-12	19.6	3/4

FITTINGS & ADAPTERS

6410 SERIES
 (1) O-RING BOSS
 (2) O-RING FEMALE BOSS
 SAE#



PART NUMBER	T1(UNF/UN-2A)	T2(UNF/UN-2B)	L	H(INCH)
6410-02-04-O	5/16-24	7/16-20	25.8	11/16
6410-03-04-O	3/8-24	7/16-20	30.0	11/16
6410-04-03-O	7/16-20	3/8-24	25.8	11/16
6410-04-04-O	7/16-20	7/16-20	27.6	5/8
6410-04-05-O	7/16-20	1/2-20	27.6	3/4
6410-04-06-O	7/16-20	9/16-18	29.5	13/16
6410-04-08-O	7/16-20	3/4-16	35.4	1
6410-05-06-O	1/2-20	9/16-18	28.7	13/16
6410-06-04-O	9/16-18	7/16-20	26.2	11/16
6410-06-05-O	9/16-18	1/2-20	27.6	3/4
6410-06-06-O	9/16-18	9/16-18	31.0	13/16
6410-06-08-O	9/16-18	3/4-16	35.3	1
6410-08-04-O	3/4-16	7/16-20	20.6	7/8
6410-08-06-O	3/4-16	9/16-18	29.5	7/8
6410-08-08-O	3/4-16	3/4-16	35.3	1
6410-08-10-O	3/4-16	7/8-14	37.6	1-1/8
6410-08-12-O	3/4-16	1-1/16-12	41.9	1-3/8
6410-10-04-O	7/8-14	7/16-20	23.9	1
6410-10-06-O	7/8-14	9/16-18	23.9	1
6410-10-08-O	7/8-14	3/4-16	33.3	1
6410-10-10-O	7/8-14	7/8-14	37.9	1-1/8
6410-10-12-O	7/8-14	1-1/16-12	42.2	1-3/8
6410-12-04-O	1-1/16-12	7/16-20	27.7	1-1/4
6410-12-06-O	1-1/16-12	9/16-18	27.7	1-1/4
6410-12-08-O	1-1/16-12	3/4-16	27.7	1-1/4

FITTINGS & ADAPTERS

PART NUMBER	T1(UNF/UN-2A)	T1(UNF/UN-2B)	L	H(INCH)
6410-12-10-O	1-1/16-12	7/8-14	39.6	1-1/4
6410-12-12-O	1-1/16-12	1-1/16-12	45.0	1-3/8
6410-12-16-O	1-1/16-12	1-5/16-12	46.0	1-5/8
6410-12-20-O	1-1/16-12	1-5/8-12	50.8	2
6410-14-10-O	1-3/16-12	7/8-14	27.7	1-3/8
6410-14-12-O	1-3/16-12	1-1/16-12	43.7	1-3/8
6410-14-16-O	1-3/16-12	1-5/16-12	44.5	1-5/8
6410-16-04-O	1-5/16-12	7/16-20	28.7	1-1/2
6410-16-06-O	1-5/16-12	9/16-18	28.7	1-1/2
6410-16-08-O	1-5/16-12	3/4-16	28.7	1-1/2
6410-16-10-O	1-5/16-12	7/8-14	28.5	1-1/2
6410-16-12-O	1-5/16-12	1-1/16-12	43.4	1-1/2
6410-16-14-O	1-5/16-12	1-3/16-12	43.7	1-1/2
6410-16-20-O	1-5/16-12	1-5/8-12	48.3	2
6410-16-24-O	1-5/16-12	1-7/8-12	53.1	2-1/4
6410-20-08-O	1-5/8-12	3/4-16	25.4	1-7/8
6410-20-10-O	1-5/8-12	7/8-14	25.4	1-7/8
6410-20-12-O	1-5/8-12	1-1/16-12	25.4	1-7/8
6410-20-16-O	1-5/8-12	1-5/16-12	25.4	1-7/8
6410-20-24-O	1-5/8-12	1-7/8-12	47.8	2-1/4
6410-24-12-O	1-7/8-12	1-1/16-12	32.3	2-1/8
6410-24-16-O	1-7/8-12	1-5/16-12	32.3	2-1/8
6410-24-20-O	1-7/8-12	1-5/8-12	40.1	2-1/8
6410-32-16-O	2-1/2-12	1-5/16-12	36.3	2-3/4
6410-32-20-O	2-1/2-12	1-5/8-12	36.3	2-3/4
6410-32-24-O	2-1/2-12	1-7/8-12	36.6	2-3/4

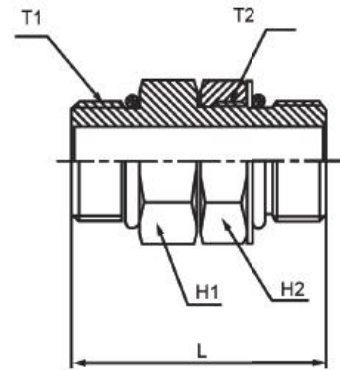
FITTINGS & ADAPTERS

6464 SERIES

(1) O-RING BOSS

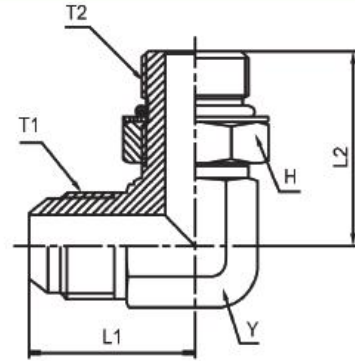
(2) ADJUSTABLE O-RING

SAE#



PART NUMBER	T1(UNF/UN-2A)	T2(UNF/UN-2A)	L	H1(INCH)	H2(INCH)
6464-04-04-NWO	7/16-20	7/16-20	34.8	9/16	9/16
6464-05-05-NWO	1/2-20	1/2-20	34.8	5/8	5/8
6464-06-06-NWO	9/16-18	9/16-18	38.0	11/16	11/16
6464-08-08-NWO	3/4-16	3/4-16	41.6	7/8	7/8
6464-10-08-NWO	7/8-14	3/4-16	45.8	1	7/8
6464-10-10-NWO	7/8-14	7/8-14	48.3	1	1
6464-12-12-NWO	1-1/16-12	1-1/16-12	57.1	1-1/4	1-1/4
6464-16-12-NWO	1-5/16-12	1-1/16-12	57.6	1-1/2	1-1/4
6464-16-16-NWO	1-5/16-12	1-5/16-12	56.8	1-1/2	1-1/2
6464-20-20-NWO	1-5/8-12	1-5/8-12	56.8	1-7/8	1-7/8
6464-24-24-NWO	1-7/8-12	1-7/8-12	56.8	2-1/8	2-1/8
6464-32-32-NWO	2-1/2-12	2-1/2-12	56.8	2-3/4	2-3/4

6801 SERIES (90 ELBOW)
 (1) 37 MALE TUBE
 (2) ADJUSTABLE O-RING
 SAE# 070220

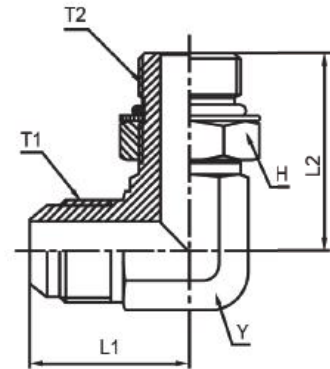


PART NUMBER	T1(UNF/UN-2A)	T2(UNF/UN-2A)	L1	L2	Y(INCH)	H(INCH)
6801-02-02-NWO	5/16-24	5/16-24	19.6	23.9	7/16	7/16
6801-02-04-NWO	5/16-24	7/16-20	19.8	26.2	7/16	9/16
6801-03-03-NWO	3/8-24	3/8-24	21.1	23.9	7/16	1/2
6801-03-05-NWO	3/8-24	1/2-20	22.1	28.7	9/16	5/8
6801-04-02-NWO	7/16-20	5/16-24	22.6	23.4	7/16	7/16
6801-04-03-NWO	7/16-20	3/8-24	22.6	23.9	7/16	1/2
6801-04-04-NWO	7/16-20	7/16-20	22.6	26.1	7/16	9/16
6801-04-05-NWO	7/16-20	1/2-20	24.1	28.7	9/16	5/8
6801-04-06-NWO	7/16-20	9/16-18	26.7	31.8	9/16	11/16
6801-04-08-NWO	7/16-20	3/4-16	28.5	36.8	3/4	7/8
6801-04-10-NWO	7/16-20	7/8-14	30.7	43.2	7/8	1
6801-05-03-NWO	1/2-20	3/8-24	24.1	25.9	9/16	1/2
6801-05-04-NWO	1/2-20	7/16-20	24.1	28.7	9/16	9/16
6801-05-05-NWO	1/2-20	1/2-20	24.1	28.7	9/16	5/8
6801-05-06-NWO	1/2-20	9/16-18	26.7	31.8	9/16	11/16
6801-05-08-NWO	1/2-20	3/4-16	28.5	36.8	3/4	7/8
6801-05-10-NWO	1/2-20	7/8-14	30.7	43.2	7/8	1
6801-06-04-NWO	9/16-18	7/16-20	26.9	30.2	9/16	9/16
6801-06-05-NWO	9/16-18	1/2-20	26.9	30.2	9/16	5/8
6801-06-06-NWO	9/16-18	9/16-18	26.9	31.8	9/16	11/16
6801-06-08-NWO	9/16-18	3/4-16	29.0	36.8	3/4	7/8
6801-06-10-NWO	9/16-18	7/8-14	31.0	43.2	7/8	1
6801-06-12-NWO	9/16-18	1-1/16-12	33.3	49.2	1-1/16	1-1/4
6801-08-04-NWO	3/4-16	7/16-20	31.8	32.0	3/4	9/16
6801-08-05-NWO	3/4-16	1/2-20	31.8	32.0	3/4	5/8
6801-08-06-NWO	3/4-16	9/16-18	31.8	33.8	3/4	11/16
6801-08-08-NWO	3/4-16	3/4-16	31.8	36.8	3/4	7/8
6801-08-10-NWO	3/4-16	7/8-14	33.8	43.2	7/8	1

FITTINGS & ADAPTERS

PART NUMBER	T1(UNF/UN-2A)	T2(UNF/UN-2A)	L1	L2	Y(INCH)	H(INCH)
6801-08-12-NWO	3/4-16	1-1/16-12	36.1	49.3	1-1/16	1-1/4
6801-08-16-NWO	3/4-16	1-5/16-12	38.6	52.1	1-5/16	1-1/2
6801-10-05-NWO	7/8-14	1/2-20	36.8	34.3	7/8	5/8
6801-10-06-NWO	7/8-14	9/16-18	36.8	35.8	7/8	11/16
6801-10-08-NWO	7/8-14	3/4-16	36.8	39.1	7/8	7/8
6801-10-10-NWO	7/8-14	7/8-14	36.8	43.2	7/8	1
6801-10-12-NWO	7/8-14	1-1/16-12	39.1	49.3	1-1/16	1-1/4
6801-10-16-NWO	7/8-14	1-5/16-12	41.7	52.1	1-5/16	1-1/2
6801-10-20-NWO	7/8-14	1-5/8-12	46.7	57.2	1-5/8	1-7/8
6801-12-06-NWO	1-1/16-12	9/16-18	42.2	37.9	1-1/16	11/16
6801-12-08-NWO	1-1/16-12	3/4-16	42.2	41.2	1-1/16	7/8
6801-12-10-NWO	1-1/16-12	7/8-14	42.2	45.2	1-1/16	1
6801-12-12-NWO	1-1/16-12	1-1/16-12	42.2	49.3	1-1/16	1-1/4
6801-12-14-NWO	1-1/16-12	1-3/16-12	45.0	50.8	1-5/16	1-3/8
6801-12-16-NWO	1-1/16-12	1-5/16-12	44.7	52.1	1-5/16	1-1/2
6801-12-20-NWO	1-1/16-12	1-5/8-12	50.0	57.2	1-5/8	1-7/8
6801-14-12-NWO	1-3/16-12	1-1/16-12	45.7	50.8	1-5/16	1-1/4
6801-14-14-NWO	1-3/16-12	1-3/16-12	45.7	50.8	1-5/16	1-3/8
6801-14-16-NWO	1-3/16-12	1-5/16-12	45.5	52.1	1-5/16	1-1/2
6801-16-08-NWO	1-5/16-12	3/4-16	46.0	43.9	1-5/16	7/8
6801-16-10-NWO	1-5/16-12	7/8-14	46.0	48.0	1-5/16	1
6801-16-12-NWO	1-5/16-12	1-1/16-12	46.0	52.1	1-5/16	1-1/4
6801-16-14-NWO	1-5/16-12	1-3/16-12	46.0	52.0	1-5/16	1-3/8
6801-16-16-NWO	1-5/16-12	1-5/16-12	46.0	52.1	1-5/16	1-1/2
6801-16-20-NWO	1-5/16-12	1-5/8-12	51.1	57.2	1-5/8	1-7/8
6801-16-24-NWO	1-5/16-12	1-7/8-12	54.9	60.7	1-7/8	2-1/8
6801-20-12-NWO	1-5/8-12	1-1/16-12	52.3	57.2	1-5/8	1-1/4
6801-20-16-NWO	1-5/8-12	1-5/16-12	52.3	57.2	1-5/8	1-1/2
6801-20-20-NWO	1-5/8-12	1-5/8-12	52.3	57.2	1-5/8	1-7/8
6801-20-24-NWO	1-5/8-12	1-7/8-12	55.9	60.7	1-7/8	2-1/8
6801-24-16-NWO	1-7/8-12	1-5/16-12	59.2	60.7	1-7/8	1-1/2
6801-24-20-NWO	1-7/8-12	1-5/8-12	59.2	60.7	1-7/8	1-7/8
6801-24-24-NWO	1-7/8-12	1-7/8-12	59.2	60.7	1-7/8	2-1/8
6801-24-32-NWO	1-7/8-12	2-1/2-12	71.3	73.4	2-1/2	2-3/4
6801-32-24-NWO	2-1/2-12	1-7/8-12	77.7	73.4	2-1/2	2-1/4
6801-32-32-NWO	2-1/2-12	2-1/2-12	77.7	73.4	2-1/2	2-3/4

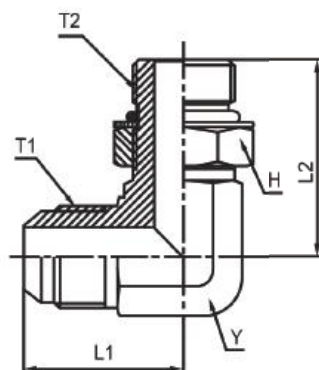
6801-L SERIES(90 ELBOW)
 (1) 37 MALE FLARE
 (2) ADJUSTABLE O-RING-LONG
 SAE#



PART NUMBER	T1(UNF/UN-2A)	T2(UNF/UN-2A)	L1	L2	Y(INCH)	H(INCH)
6801-L-04-04-NWO	7/16-20	7/16-20	22.6	30.2	7/16	9/16
6801-L-06-06-NWO	9/16-18	9/16-18	26.9	42.3	9/16	11/16
6801-L-06-08-NWO	9/16-18	3/4-16	29.0	46.0	3/4	7/8
6801-L-08-06-NWO	3/4-16	9/16-18	31.8	44.5	3/4	11/16
6801-L-08-08-NWO	3/4-16	3/4-16	31.8	46.0	3/4	7/8
6801-L-08-10-NWO	3/4-16	7/8-14	33.8	54.1	7/8	1
6801-L-10-10-NWO	7/8-14	7/8-14	36.8	54.9	7/8	1
6801-L-10-12-NWO	7/8-14	1-1/16-12	39.1	57.2	1-1/16	1-1/4
6801-L-12-12-NWO	1-1/16-12	1-1/16-12	42.2	62.7	1-1/16	1-1/4
6801-L-16-16-NWO	1-5/16-12	1-5/16-12	46.0	77.7	1-5/16	1-1/2
6801-L-20-20-NWO	1-5/8-12	1-5/8-12	52.3	88.3	1-5/8	1-7/8

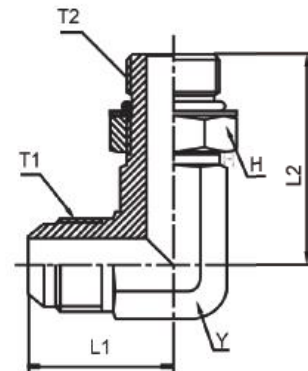
FITTINGS & ADAPTERS

6801-LL SERIES(90 ELBOW)
 (1) 37 MALE FLARE
 (2) ADJUSTABLE O-RING-X-LONG
 SAE#



PART NUMBER	T1(UNF/UN-2A)	T2(UNF/UN-2A)	L1	L2	Y(INCH)	H(INCH)
6801-LL-04-04-NWO	7/16-20	7/16-20	22.6	43.9	7/16	9/16
6801-LL-04-06-NWO	7/16-20	9/16-18	26.7	52.6	9/16	11/16
6801-LL-06-06-NWO	9/16-18	9/16-18	26.9	52.8	9/16	11/16
6801-LL-06-08-NWO	9/16-18	3/4-16	29.0	63.3	3/4	7/8
6801-LL-08-06-NWO	3/4-16	9/16-18	31.8	55.4	3/4	11/16
6801-LL-08-08-NWO	3/4-16	3/4-16	31.8	63.3	3/4	7/8
6801-LL-08-10-NWO	3/4-16	7/8-14	33.8	82.0	7/8	1
6801-LL-10-08-NWO	7/8-14	3/4-16	36.8	65.0	7/8	7/8
6801-LL-10-10-NWO	7/8-14	7/8-14	36.8	82.0	7/8	1
6801-LL-12-12-NWO	1-1/16-12	1-1/16-12	42.2	84.8	1-1/16	1-1/4
6801-LL-16-12-NWO	1-5/16-12	1-1/16-12	46.0	87.9	1-5/16	1-1/4
6801-LL-16-16-NWO	1-5/16-12	1-5/16-12	46.0	94.2	1-5/16	1-1/2
6801-LL-20-20-NWO	1-5/8-12	1-5/8-12	52.3	111.8	1-5/8	1-7/8

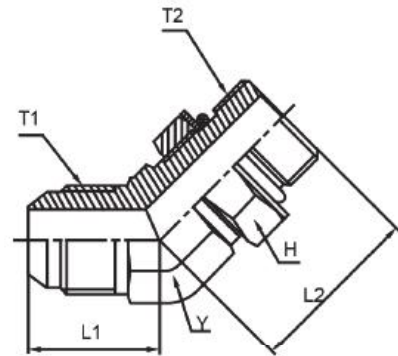
6801-LLL SERIES (90 ELBOW)
 (1) 37 MALE TUBE
 (2) ADJUSTABLE O-RING-XX-LONG
 SAE#



PART NUMBER	T1(UNF/UN-2A)	T2(UNF/UN-2A)	L1	L2	Y(INCH)	H(INCH)
6801-LLL-04-04-NWO	7/16-20	7/16-20	22.6	61.9	7/16	9/16
6801-LLL-06-06-NWO	9/16-18	9/16-18	26.9	78.0	9/16	11/16
6801-LLL-08-08-NWO	3/4-16	3/4-16	31.8	90.7	3/4	7/8

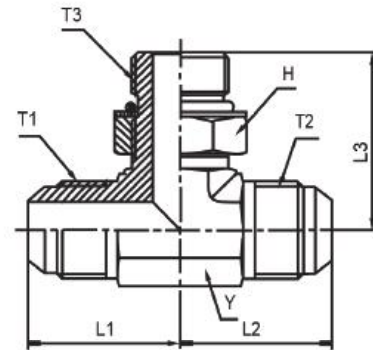
FITTINGS & ADAPTERS

6802 SERIES (45 ELBOW)
 (1) 37 MALE TUBE
 (2) ADJUSTABLE O-RING
 SAE# 070320



PART NUMBER	T1(UNF/UN-2A)	T2(UNF/UN-2A)	L1	L2	Y(INCH)	H(INCH)
6802-02-02-NWO	5/16-24	5/16-24	17.5	22.4	7/16	7/16
6802-03-03-NWO	3/8-24	3/8-24	17.5	22.4	7/16	1/2
6802-04-04-NWO	7/16-20	7/16-20	18.3	26.7	7/16	9/16
6802-04-05-NWO	7/16-20	1/2-20	19.6	26.7	9/16	5/8
6802-04-06-NWO	7/16-20	9/16-18	20.8	29.0	9/16	11/16
6802-04-08-NWO	7/16-20	3/4-16	21.6	33.0	3/4	7/8
6802-05-04-NWO	1/2-20	7/16-20	19.6	26.7	9/16	9/16
6802-05-05-NWO	1/2-20	1/2-20	19.6	26.7	9/16	5/8
6802-05-06-NWO	1/2-20	9/16-18	20.8	29.0	9/16	11/16
6802-06-04-NWO	9/16-18	7/16-20	21.1	27.4	9/16	9/16
6802-06-05-NWO	9/16-18	1/2-20	21.1	27.4	9/16	5/8
6802-06-06-NWO	9/16-18	9/16-18	21.1	29.0	9/16	11/16
6802-06-08-NWO	9/16-18	3/4-16	22.1	33.0	3/4	7/8
6802-06-10-NWO	9/16-18	7/8-14	22.4	38.6	7/8	1
6802-08-04-NWO	3/4-16	7/16-20	24.9	28.2	3/4	9/16
6802-08-06-NWO	3/4-16	9/16-18	24.9	29.7	3/4	11/16
6802-08-08-NWO	3/4-16	3/4-16	24.9	33.0	3/4	7/8
6802-08-10-NWO	3/4-16	7/8-14	25.2	38.6	7/8	1
6802-08-12-NWO	3/4-16	1-1/16-12	26.4	43.9	1-1/16	1-1/4
6802-10-08-NWO	7/8-14	3/4-16	28.2	34.5	7/8	7/8
6802-10-10-NWO	7/8-14	7/8-14	28.2	38.6	7/8	1
6802-10-12-NWO	7/8-14	1-1/16-12	29.5	43.9	1-1/16	1-1/4
6802-12-08-NWO	1-1/16-12	3/4-16	32.5	35.8	1-1/16	7/8
6802-12-10-NWO	1-1/16-12	7/8-14	32.5	39.9	1-1/16	1
6802-12-12-NWO	1-1/16-12	1-1/16-12	32.5	43.9	1-1/16	1-1/4
6802-12-16-NWO	1-1/16-12	1-5/16-12	36.1	47.2	1-5/16	1-1/2
6802-16-12-NWO	1-5/16-12	1-1/16-12	37.3	47.2	1-5/16	1-1/4
6802-16-16-NWO	1-5/16-12	1-5/16-12	37.3	47.2	1-5/16	1-1/2
6802-16-20-NWO'	1-5/16-12	1-5/8-12	39.1	48.5	1-5/8	1-7/8
6802-20-16-NWO	1-5/8-12	1-5/16-12	40.4	48.5	1-5/8	1-1/2
6802-20-20-NWO	1-5/8-12	1-5/8-12	40.3	48.5	1-5/8	1-7/8
6802-24-20-NWO	1-7/8-12	1-5/8-12	45.2	48.5	1-7/8	1-7/8
6802-24-24-NWO	1-7/8-12	1-7/8-12	45.2	48.5	1-7/8	2-1/8
6802-32-32-NWO	2-1/2-12	2-1/2-12	56.4	50.4	2-1/2	2-3/4

6803 SERIES(TEE)
 (1)&(2) 37 MALE TUBE
 (3) ADJUSTABLE O-RING
 SAE# 070429

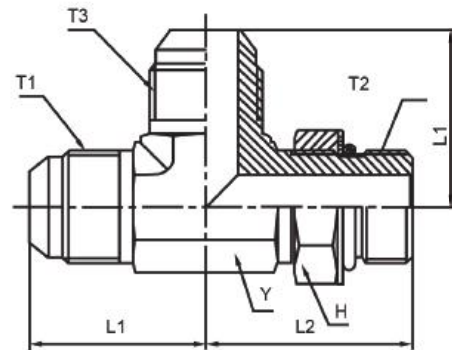


PART NUMBER	T1(UNF/UN-2A)	T2(UNF/UN-2A)	T3(UNF/UN-2A)	L1(L2)	L3	Y(INCH)	H(INCH)
6803-02-02-02-NWO	5/16-24	5/16-24	5/16-24	19.6	23.9	7/16	7/16
6803-04-04-02-NWO	7/16-20	7/16-20	5/16-24	22.6	23.4	7/16	1/2
6803-04-04-04-NWO	7/16-20	7/16-20	7/16-20	22.6	26.2	7/16	9/16
6803-04-04-06-NWO	7/16-20	7/16-20	9/16-18	26.7	31.8	9/16	11/16
6803-05-05-05-NWO	1/2-20	1/2-20	1/2-20	24.1	28.7	9/16	5/8
6803-06-06-04-NWO	9/16-18	9/16-18	7/16-20	26.9	30.2	9/16	9/16
6803-06-06-06-NWO	9/16-18	9/16-18	9/16-18	26.9	31.8	9/16	11/16
6803-06-06-08-NWO	9/16-18	9/16-18	3/4-16	29.0	36.8	3/4	7/8
6803-08-08-06-NWO	3/4-16	3/4-16	9/16-18	31.8	33.5	3/4	11/16
6803-08-08-08-NWO	3/4-16	3/4-16	3/4-16	31.8	36.8	3/4	7/8
6803-08-08-10-NWO	3/4-16	3/4-16	7/8-14	33.8	43.2	7/8	1
6803-10-10-08-NWO	7/8-14	7/8-14	3/4-16	36.8	39.1	7/8	7/8
6803-10-10-10-NWO	7/8-14	7/8-14	7/8-14	36.8	43.1	7/8	1
6803-10-10-12-NWO	7/8-14	7/8-14	1-1/16-12	36.8	49.3	1-1/16	1-1/4
6803-12-12-10-NWO	1-1/16-12	1-1/16-12	7/8-14	42.2	45.2	1-1/16	1
6803-12-12-12-NWO	1-1/16-12	1-1/16-12	1-1/16-12	42.2	49.3	1-1/16	1-1/4
6803-12-12-16-NWO	1-1/16-12	1-1/16-12	1-5/16-12	44.7	52.1	1-5/16	1-1/2
6803-16-16-12-NWO	1-5/16-12	1-5/16-12	1-1/16-12	46.0	52.1	1-5/16	1-1/4
6803-20-20-20-NWO	1-5/8-12	1-5/8-12	1-5/8-12	52.3	57.2	1-5/8	1-7/8
6803-24-24-24-NWO	1-7/8-12	1-7/8-12	1-7/8-12	59.2	60.7	1-7/8	2-1/8
6803-32-32-32-NWO	2-1/2-12	2-1/2-12	2-1/2-12	77.7	73.4	2-1/2	2-3/4

FITTINGS & ADAPTERS

6804 SERIES

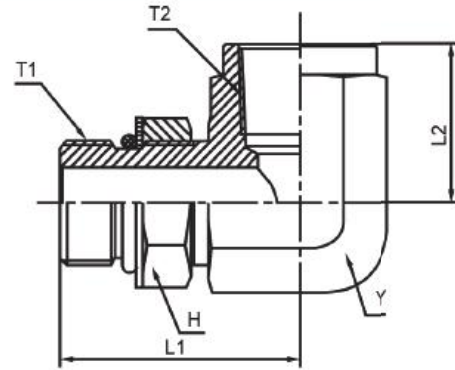
(1)&(3) 37 MALE TUBE
(2) ADJUSTABLE O-RING
SAE# 070428



PART NUMBER	T1(UNF/UN-2A)	T2(UNF/UN-2A)	T3(UNF/UN-2A)	L1	L2	Y(INCH)	H(INCH)
6804-02-02-02-NWO	5/16-24	5/16-24	5/16-24	19.6	23.9	7/16	7/16
6804-04-04-04-NWO	7/16-20	7/16-20	7/16-20	22.6	26.2	7/16	9/16
6804-04-06-04-NWO	7/16-20	9/16-18	7/16-20	24.8	31.8	9/16	11/16
6804-05-05-05-NWO	1/2-20	1/2-20	1/2-20	24.1	28.7	9/16	5/8
6804-06-04-06-NWO	9/16-18	7/16-20	9/16-18	26.9	30.2	9/16	9/16
6804-06-06-06-NWO	9/16-18	9/16-18	9/16-18	26.9	31.8	9/16	11/16
6804-06-08-06-NWO	9/16-18	3/4-16	9/16-18	29.0	36.8	3/4	7/8
6804-08-06-08-NWO	3/4-16	9/16-18	3/4-16	31.8	33.5	3/4	11/16
6804-08-08-08-NWO	3/4-16	3/4-16	3/4-16	31.8	36.8	3/4	7/8
6804-08-10-08-NWO	3/4-16	7/8-14	3/4-16	33.8	43.2	7/8	1
6804-08-12-08-NWO	3/4-16	1-1/16-12	3/4-16	36.8	49.3	1-1/16	1-1/4
6804-10-10-10-NWO	7/8-14	7/8-14	7/8-14	36.8	43.2	7/8	1
6804-10-12-10-NWO	7/8-14	1-1/16-12	7/8-14	39.1	49.3	1-1/16	1-1/4
6804-12-10-12-NWO	1-1/16-12	7/8-14	1-1/16-12	42.2	45.2	1-1/16	1
6804-12-12-12-NWO	1-1/16-12	1-1/16-12	1-1/16-12	42.2	49.3	1-1/16	1-1/4
6804-14-14-14-NWO	1-3/16-12	1-3/16-12	1-3/16-12	45.7	52.1	1-5/16	1-3/8
6804-16-12-16-NWO	1-5/16-12	1-1/16-12	1-5/16-12	46.0	52.1	1-5/16	1-1/4
6804-16-16-16-NWO	1-5/16-12	1-5/16-12	1-5/16-12	46.0	52.1	1-5/16	1-1/2
6804-20-20-20-NWO	1-5/8-12	1-5/8-12	1-5/8-12	52.3	57.2	1-5/8	1-7/8
6804-24-24-24-NWO	1-7/8-12	1-7/8-12	1-7/8-12	59.2	60.7	1-7/8	2-1/8
6804-32-32-32-NWO	2-1/2-12	2-1/2-12	2-1/2-12	77.7	73.4	2-1/2	2-3/4

FITTINGS & ADAPTERS

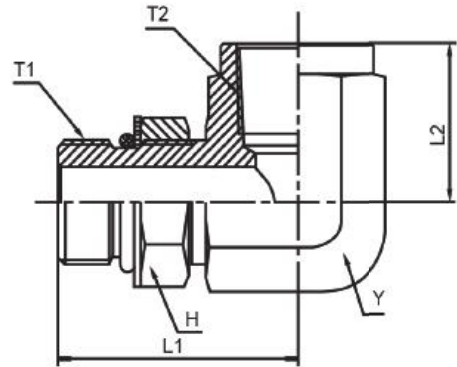
6805 SERIES(90 ELBOW)
 (1) ADJUSTABLE O-RING
 (2) FEMALE PIPE
 SAE#



PART NUMBER	T1(UNF/UN-2A)	T2(NPTF)	L1	L2	Y(INCH)	H(INCH)
6805-04-02-NWO	7/16-20	1/8-27	28.7	16.8	9/16	9/16
6805-04-04-NWO	7/16-20	1/4-18	32.0	22.4	3/4	9/16
6805-05-02-NWO	1/2-20	1/8-27	28.7	16.8	9/16	5/8
6805-05-06-NWO	1/2-20	3/8-18	35.8	25.9	7/8	5/8
6805-06-04-NWO	9/16-18	1/4-18	33.5	22.4	3/4	11/16
6805-06-06-NWO	9/16-18	3/8-18	35.8	25.9	7/8	11/16
6805-08-06-NWO	3/4-16	3/8-18	39.1	26.0	7/8	7/8
6805-08-08-NWO	3/4-16	1/2-14	41.1	31.2	1-1/16	7/8
6805-10-06-NWO	7/8-14	3/8-18	43.2	25.9	7/8	1
6805-10-08-NWO	7/8-14	1/2-14	45.2	31.2	1-1/16	1
6805-12-08-NWO	1-1/16-12	1/2-14	49.3	31.2	1-1/16	1-1/4
6805-12-12-NWO	1-1/16-12	3/4-14	52.1	34.5	1-5/16	1-1/4
6805-14-12-NWO	1-3/16-12	3/4-14	52.1	36.1	1-5/16	1-3/8
6805-16-12-NWO	1-5/16-12	3/4-14	52.1	34.5	1-5/16	1-1/2
6805-16-16-NWO	1-5/16-12	1-11-1/2	57.2	41.2	1-5/8	1-1/2
6805-20-20-NWO	1-5/8-12	1-1/4-11-1/2	60.7	43.2	1-7/8	1-7/8
6805-24-24-NWO	1-7/8-12	1-1/2-11-1/2	73.4	52.8	2-9/16	2-1/8
6805-32-32-NWO	2-1/2-12	2-11-1/2	77.8	60.7	2-13/16	2-3/4

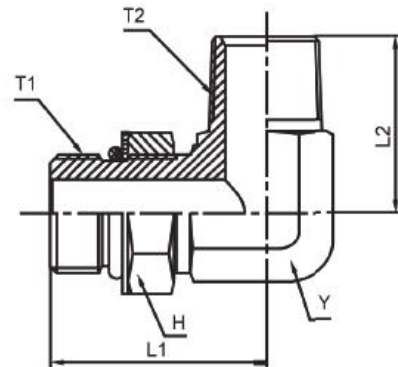
FITTINGS & ADAPTERS

6805-L&6805-LL SERIES(90° ELBOW)
 (1) ADJUSTABLE O-RING
 (2) FEMALE PIPE
 SAE#



PART NUMBER	T1(UNF/UN-2A)	T2(NPTF)	L1	L2	Y(INCH)	H(INCH)
6805-L-08-08-NWO	3/4-16	1/2-14	89.7	31.2	1-1/16	7/8
6805-L-10-08-NWO	7/8-14	1/2-14	89.7	31.2	1-1/16	1
6805-L-12-12-NWO	1-1/16-12	3/4-14	102.9	34.5	1-5/16	1-1/4
6805-L-16-16-NWO	1-5/16-12	1-11-1/2	117.4	41.2	1-5/8	1-1/2
6805-LL-08-06-NWO	3/4-16	3/8-18	74.7	25.9	7/8	7/8
6805-LL-10-08-NWO	7/8-14	1/2-14	90.4	31.2	1-1/16	1
6805-LL-12-12-NWO	1-1/16-12	3/4-14	104.9	34.5	1-5/16	1-1/4
6805-LL-16-16-NWO	1-5/16-12	1-11-1/2	117.6	41.1	1-5/8	1-1/2

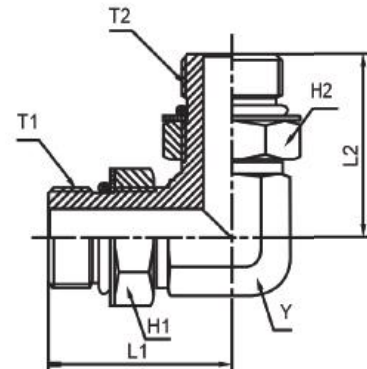
6806 SERIES(90 ELBOW)
 (1) ADJUSTABLE O-RING
 (2) MALE PIPE
 SAE#



PART NUMBER	T1(UNF/UN-2A)	T2(NPTF)	L1	L2	Y(INCH)	H(INCH)
6806-04-02-NWO	7/16-20	1/8-27	26.2	19.8	7/16	9/16
6806-04-04-NWO	7/16-20	1/4-18	30.2	27.7	9/16	9/16
6806-05-02-NWO	1/2-20	1/8-27	28.7	19.8	9/16	5/8
6806-06-04-NWO	9/16-18	1/4-18	31.8	27.7	9/16	11/16
6806-06-06-NWO	9/16-18	3/8-18	33.5	31.0	3/4	11/16
6806-08-06-NWO	3/4-16	3/8-18	36.8	31.0	3/4	7/8
6806-08-08-NWO	3/4-16	1/2-14	39.1	37.3	7/8	7/8
6806-10-08-NWO	7/8-14	1/2-14	43.2	37.3	7/8	1
6806-12-12-NWO	1-1/16-12	3/4-14	49.3	40.4	1-1/16	1-1/4
6806-12-16-NWO	1-1/16-12	1-11-1/2	52.1	50.0	1-5/16	1-1/4
6806-16-12-NWO	1-5/16-12	3/4-14	52.1	42.9	1-5/16	1-1/2
6806-16-16-NWO	1-5/16-12	1-11-1/2	52.1	50.0	1-5/16	1-1/2
6806-20-20-NWO	1-5/8-12	1-1/4-11-1/2	57.2	60.5	1-5/8	1-7/8
6806-20-24-NWO	1-5/8-12	1-1/2-11-1/2	60.7	67.1	1-7/8	1-7/8
6806-24-24-NWO	1-7/8-12	1-1/2-11-1/2	60.7	67.1	1-7/8	2-1/8
6806-32-32-NWO	2-1/2-12	2-11-1/2	73.4	76.2	2-1/2	2-3/4

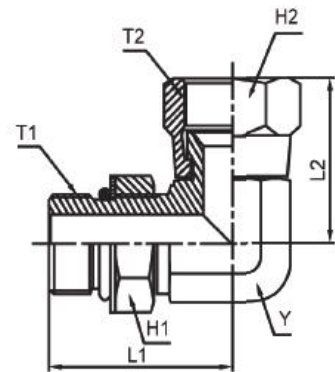
FITTINGS & ADAPTERS

6807 SERIES(90 ELBOW)
(1)&(2) ADJUSTABLE O-RING
SAE#



PART NUMBER	T1(UNF/UN-2A)	T2(UNF/UN-2A)	L1	L2	Y(INCH)	H1(INCH)	H2(INCH)
6807-04-04-NWO	7/16-20	7/16-20	26.2	26.2	7/16	9/16	9/16
6807-06-06-NWO	9/16-18	9/16-18	31.8	31.8	9/16	11/16	11/16
6807-08-06-NWO	3/4-16	9/16-18	36.8	33.5	3/4	7/8	11/16
6807-08-08-NWO	3/4-16	3/4-16	36.8	36.8	3/4	7/8	7/8
6807-10-08-NWO	7/8-14	3/4-16	43.2	39.1	7/8	1	7/8
6807-10-10-NWO	7/8-14	7/8-14	43.2	43.2	7/8	1	1
6807-12-12-NWO	1-1/16-12	1-1/16-12	49.3	49.3	1-1/16	1-1/4	1-1/4
6807-16-16-NWO	1-5/16-12	1-5/16-12	52.1	52.1	1-5/16	1/1/2	1/1/2
6807-20-20-NWO	1-5/8-12	1-5/8-12	57.2	57.2	1-5/8	1-7/8	1-7/8
6807-24-24-NWO	1-7/8-12	1-7/8-12	60.7	60.7	1-7/8	2-1/8	2-1/8

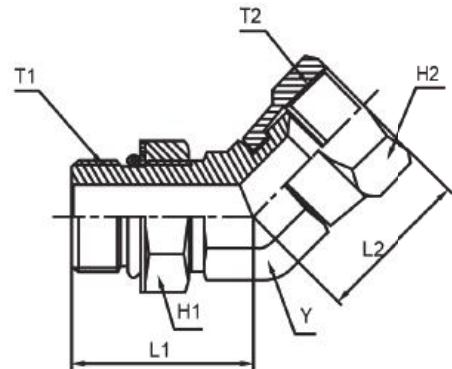
6809 SERIES(90 ELBOW)
 (1) ADJUSTABLE O-RING
 (2) 37 FEMALE SWIVEL
 SAE#



PART NUMBER	T1(UNF/UN-2A)	T2(UNF/UN-2B)	L1	L2	Y(INCH)	H1(INCH)	H2(INCH)
6809-04-02-NWO	7/16-20	5/16-24	26.2	24.6	7/16	9/16	7/16
6809-04-04-NWO	7/16-20	7/16-20	26.2	25.4	7/16	9/16	9/16
6809-06-04-NWO	9/16-18	7/16-20	31.8	29.1	9/16	11/16	9/16
6809-06-06-NWO	9/16-18	9/16-18	31.8	31.8	9/16	11/16	11/16
6809-08-06-NWO	3/4-16	9/16-18	36.8	31.8	3/4	7/8	11/16
6809-08-10-NWO	3/4-16	7/8-14	39.1	41.3	7/8	7/8	1
6809-10-10-NWO	7/8-14	7/8-14	43.2	41.3	7/8	1	1
6809-12-08-NWO	1-1/16-12	3/4-16	49.3	40.1	1-1/16	1-1/4	7/8
6809-12-12-NWO	1-1/16-12	1-1/16-12	49.3	45.1	1-1/16	1-1/4	1-1/4

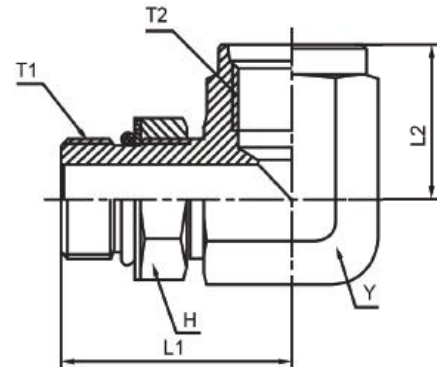
FITTINGS & ADAPTERS

6810 SERIES (45 ELBOW)
 (1) ADJUSTABLE O-RING
 (2) 37 FEMALE SWIVEL
 SAE#



PART NUMBER	T1(UNF/UN-2A)	T2(UNF/UN-2B)	L1	L2	Y(INCH)	H1(INCH)	H2(INCH)
6810-04-04-NWO	7/16-20	7/16-20	26.7	24.0	7/16	9/16	9/16
6810-06-06-NWO	9/16-18	9/16-18	29.0	28.6	9/16	11/16	11/16
6810-08-08-NWO	3/4-16	3/4-16	33.0	32.6	3/4	7/8	7/8
6810-10-10-NWO	7/8-14	7/8-14	38.6	34.7	7/8	1	1
6810-12-12-NWO	1-1/16-12	1-1/16-12	43.9	38.7	1-1/16	1-1/4	1-1/4
6810-16-16-NWO	1-5/16-12	1-5/16-12	47.2	45.0	1-5/16	1-1/2	1-1/2

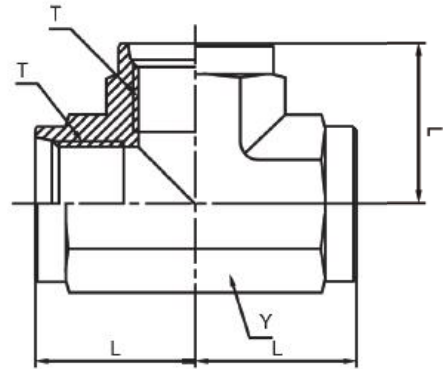
6815 SERIES (90 ELBOW)
 (1) ADJUSTABLE O-RING
 (2) O-RING FEMALE BOSS
 SAE#



PART NUMBER	T1(UNF/UN-2A)	T2(UNF/UN-2B)	L1	L2	Y(INCH)	H(INCH)
6815-04-04-NWO	7/16-20	7/16-20	32.0	21.1	3/4	9/16
6815-06-06-NWO	9/16-18	9/16-18	35.8	25.9	7/8	11/16
6815-08-08-NWO	3/4-16	3/4-16	42.3	31.2	1-1/16	7/8
6815-10-10-NWO	7/8-14	7/8-14	45.2	31.2	1-1/16	1
6815-16-16-NWO	1-5/16-12	1-5/16-12	57.2	41.2	1-5/8	1-1/2

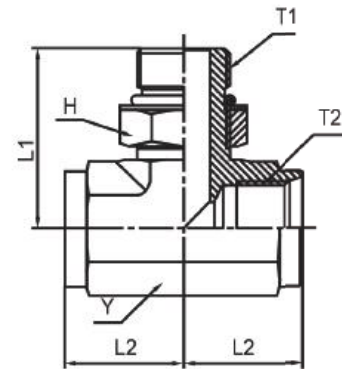
FITTINGS & ADAPTERS

6868 SERIES (TEE)
 (1) (2)&(3) O-RING FEMALE BOSS
 SAE#



PART NUMBER	T(UNF/UN-2B)	L	Y(INCH)
6868-04-04-04	7/16-20	18.8	3/4
6868-06-06-06	9/16-18	21.8	7/8
6868-08-08-08	3/4-16	26.2	1-1/16
6868-10-10-10	7/8-14	30.0	1-5/16
6868-12-12-12	1-1/16-12	35.3	1-5/16
6868-16-16-16	1-5/16-12	38.6	1-5/8

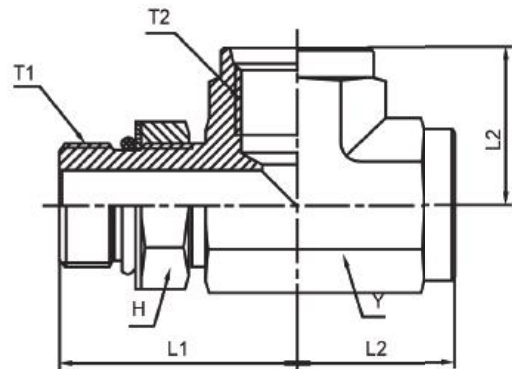
6870 SERIES (TEE)
 (1)&(2) O-RING FEMALE BOSS
 (3) ADJUSTABLE O-RING
 SAE#



PART NUMBER	T1(UNF/UN-2B)	T2(UNF/UN-2A)	L1	L2	Y(INCH)	H(INCH)
6870-04-04-04-NWO	7/16-20	7/16-20	16.0	31.2	3/4	9/16
6870-06-06-06-NWO	9/16-18	9/16-18	19.1	35.1	7/8	11/16
6870-08-08-08-NWO	3/4-16	3/4-16	22.4	40.4	1-1/16	7/8
6870-10-10-10-NWO	7/8-14	7/8-14	25.9	46.0	1-1/16	1
6870-12-12-12-NWO	1-1/16-12	1-1/16-12	30.7	51.4	1-5/16	1-1/4
6870-16-16-16-NWO	1-5/16-12	1-5/16-12	33.8	57.4	1-5/8	1-1/2

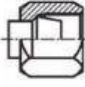

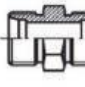



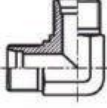
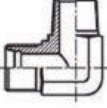
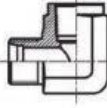

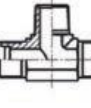
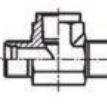
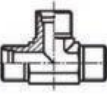
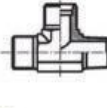
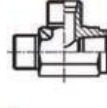
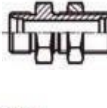
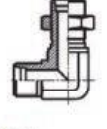

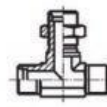
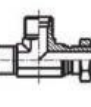
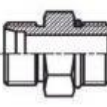


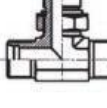
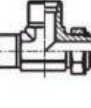
FITTINGS & ADAPTERS

6871 SERIES (TEE)
 (1) ADJUSTABLE O-RING
 (2)&(3) O-RING FEMALE BOSS
 SAE#



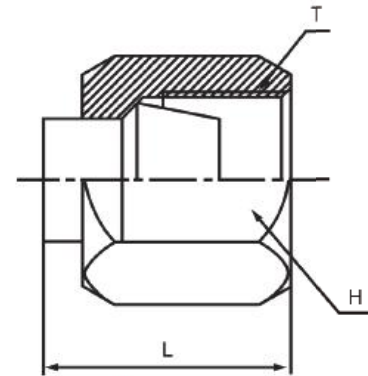
PART NUMBER	T1(UNF/UN-2A)	T2(UNF/UN-2B)	L1	L2	Y(INCH)	H(INCH)
6871-04-04-04-NWO	7/16-20	7/16-20	31.8	18.8	3/4	9/16
6871-06-06-06-NWO	9/16-18	9/16-18	35.1	21.8	7/8	11/16
6871-08-08-08-NWO	3/4-16	3/4-16	40.4	26.2	1-1/16	7/8
6871-10-10-10-NWO	7/8-14	7/8-14	46.0	30.0	1-1/16	1
6871-12-12-12-NWO	1-1/16-12	1-1/16-12	51.4	35.3	1-5/16	1-1/4
6871-16-16-16-NWO	1-5/16-12	1-5/16-12	57.2	38.6	1-5/8	1-1/2

SAE FLARELESS FITTINGS

(080112)  C0304 -C CAP NUT P147	(080110)  C0318 P148	C2000 (1) FLARELESS MALE (2) 37" MALE TUBE P149	C2000-BH (1) FLARELESS MALE (2) 37" MALE TUBE P150	(080101)  C2403 (1&2) FLARELESS MALE P151
(080102)  C2404 (1) FLARELESS MALE (2) MALE PIPE P152	(080103)  C2405 (1) FLARELESS MALE (2) MALE PIPE P153	(080109)  C2408 (1) FLARELESS PLUG P154	(080201)  C2500 (1&2) FLARELESS MALE P155	(080202)  C2501 (1) FLARELESS MALE (2) MALE PIPE P156
 C2502 (1) FLARELESS MALE (2) MALE PIPE P157	(080302)  C2503 (1) FLARELESS MALE (2) MALE PIPE P158	(080425)  C2601 (1&2) FLARELESS MALE (3) MALE PIPE P159	(080427)  C2602 (1&2) FLARELESS MALE (3) MALE PIPE P160	(070401)  C2603 (1), (2&3) FLARELESS MALE P161
(080424)  C2605 (1&3) FLARELESS MALE (2) MALE PIPE P162	(080426)  C2606 (1&2) FLARELESS MALE (2) MALE PIPE P163	C2650 FLARELESS MALE P164	(080601)  C2700-LN (1) FLARELESS MALE (2) FLARELESS BULKHEAD MALE P165	(080701)  C2701-LN (1) FLARELESS MALE (2) FLARELESS BULKHEAD MALE P166
(080801)  C2702-LN (1) FLARELESS MALE (2) FLARELESS BULKHEAD MALE P167	(080959)  C2703-LN (1) & (2) FLARELESS MALE (2) FLARELESS BULKHEAD MALE P168	(080958)  C2704-LN (1) & (2) FLARELESS MALE (2) FLARELESS BULKHEAD MALE P169	(080120)  C6400 (1) FLARELESS MALE (2) O-RING MALE BOSS P170	(080220)  C6801 (1) FLARELESS MALE (2) ADJUSTABLE O-RING P171
(080320)  C6802 (1) FLARELESS MALE (2) ADJUSTABLE O-RING P172	(080429)  C6803 (1&2) FLARELESS MALE (3) ADJUSTABLE O-RING P173	(080428)  C6804 (1&2) FLARELESS MALE (3) ADJUSTABLE O-RING P174		

FITTINGS & ADAPTERS

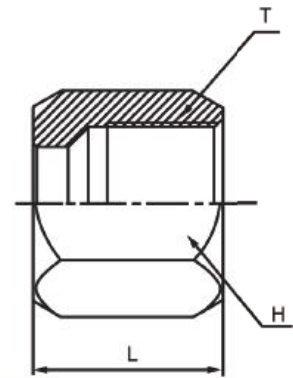
C0304-C SERIES (CAP ASSMELBY)
 CAP NUT
 SAE# 080112



PART NUMBER	T(UNF/UN- 2A)	L	H(INCH)
C0304-C-04	7/16-20	21.5	9/16
C0304-C-05	1/2-20	22.1	5/8
C0304-C-06	9/16-18	22.7	11/16
C0304-C-08	3/4-16	25.7	7/8
C0304-C-10	7/8-14	28.4	1
C0304-C-12	1-1/16-12	30.4	1-1/4
C0304-C-16	1-5/16-12	32.6	1-1/2
C0304-C-20	1-5/8-12	32.0	2

C0318 SERIES(NUT)

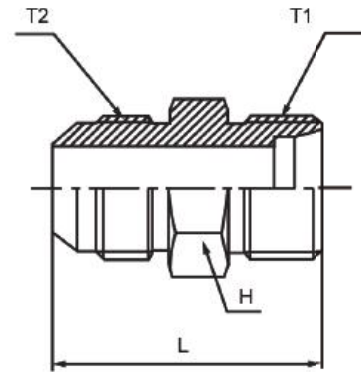
SAE# 080110



PART NUMBER	T(UNF/UN-2A)	L	H(INCH)
C0318-02	5/16-24	13.5	3/8
C0318-03	3/8-24	15.5	7/16
C0318-04	7/16-20	17.8	9/16
C0318-05	1/2-20	18.3	5/8
C0318-06	9/16-18	19.1	11/16
C0318-08	3/4-16	21.3	7/8
C0318-10	7/8-14	23.4	1
C0318-12	1-1/16-12	24.6	1-1/4
C0318-14	1-3/16-12	25.4	1-3/8
C0318-16	1-5/16-12	26.7	1-1/2
C0318-20	1-5/8-12	26.7	2
C0318-24	1-7/8-12	26.2	2-1/4
C0318-32	2-1/2-12	28.5	2-7/8

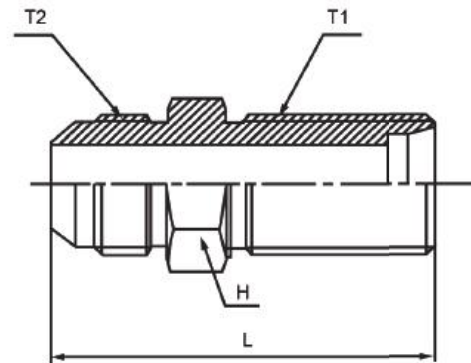
FITTINGS & ADAPTERS

C2000 SERIES (STRAIGHT UNION)
 (1) FLARELESS MALE
 (2) 37 MALE TUBE
 SAE#



PART NUMBER	T1(UNF/UN-2A)	T2(UNF/UN-2A)	L	H(INCH)
C2000-04-04	7/16-20	7/16-20	33.5	1/2
C2000-06-06	9/16-18	9/16-18	34.9	5/8
C2000-08-08	3/4-16	3/4-16	40.7	13/16
C2000-10-10	7/8-14	7/8-14	46.5	15/16
C2000-12-12	1-1/16-12	1-1/16-12	50.3	1-1/8
C2000-16-16	1-5/16-12	1-5/16-12	54.2	1-3/8
C2000-20-20	1-5/8-12	1-5/8-12	57.5	1-11/16
C2000-24-24	1-7/8-12	1-7/8-12	62.4	2

C2000-BH SERIES(BIG HEX)
 (1) FLARELESS MALE
 (2) 37 MALE TUBE
 SAE#

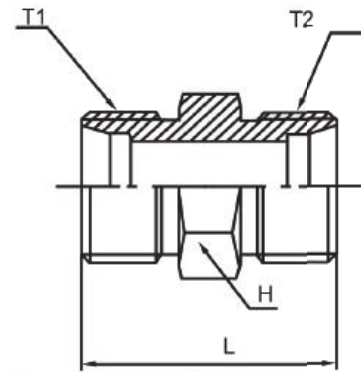


PART NUMBER	T1(UNF-2A)	T2(UNF-2A)	L	H(INCH)
C2000-BH-04-04	7/16-20	7/16-20	50.3	11/16
C2000-BH-06-06	9/16-18	9/16-18	52.5	13/16
C2000-BH-08-08	3/4-16	3/4-16	58.6	1
C2000-BH-10-10	7/8-14	7/8-14	65.9	1-1/8
C2000-BH-12-12	1-1/16-12	1-1/16-12	72.7	1-3/8
C2000-BH-16-16	1-5/16-12	1-5/16-12	73.9	1-5/8

FITTINGS & ADAPTERS

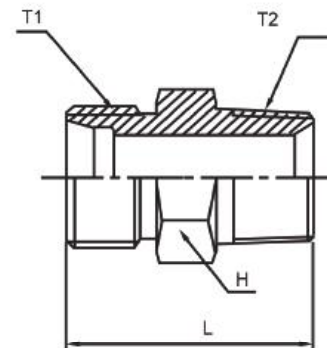
C2403 SERIES
(1)&(2) FLARELESS MALE

SAE# 080101



PART NUMBER	T1(UNF/UN-2A)	T2(UNF/UN-2A)	L	H(INCH)
C2403-02-02	5/16-24	5/16-24	25.9	7/16
C2403-03-03	3/8-24	3/8-24	28.2	7/16
C2403-04-04	7/16-20	7/16-20	30.0	1/2
C2403-05-05	1/2-20	1/2-20	30.0	9/16
C2403-06-04	9/16-18	7/16-20	31.1	5/8
C2403-06-06	9/16-18	9/16-18	31.5	5/8
C2403-08-06	3/4-16	9/16-18	36.1	13/16
C2403-08-08	3/4-16	3/4-16	36.1	13/16
C2403-10-10	7/8-14	7/8-14	40.9	15/16
C2403-12-12	1-1/16-12	1-1/16-12	46.0	1-1/8
C2403-16-16	1-5/16-12	1-5/16-12	46.0	1-3/8
C2403-20-20	1-5/8-12	1-5/8-12	48.0	1-11/16
C2403-24-24	1-7/8-12	1-7/8-12	49.8	2
C2403-32-32	2-1/2-12	2-1/2-12	53.6	2-5/8

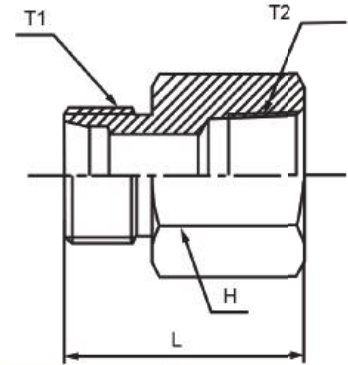
C2404 SERIES
 (1) FLARELESS MALE
 (2) MALE PIPE
 SAE# 080102



PART NUMBER	T1(UNF/UN-2A)	T2(NPTF)	L	H(INCH)
C2404-02-02	5/16-24	1/8-27	26.4	7/16
C2404-02-04	5/16-24	1/4-18	31.5	5/8
C2404-03-02	3/8-24	1/8-27	27.7	7/16
C2404-04-04	7/16-20	1/4-18	33.5	5/8
C2404-04-06	7/16-20	3/8-18	33.8	13/16
C2404-04-08	7/16-20	1/2-14	40.1	7/8
C2404-05-02	1/2-20	1/8-27	28.5	9/16
C2404-05-04	1/2-20	1/4-18	33.5	9/16
C2404-06-02	9/16-18	1/8-27	29.2	5/8
C2404-06-04	9/16-18	1/4-18	34.0	5/8
C2404-06-06	9/16-18	3/8-18	33.5	13/16
C2404-06-08	9/16-18	1/2-14	42.1	15/16
C2404-08-04	3/4-16	1/4-18	36.1	13/16
C2404-08-06	3/4-16	3/8-18	36.6	13/16
C2404-08-08	3/4-16	1/2-14	42.9	15/16
C2404-08-12	3/4-16	3/4-14	44.7	1-1/8
C2404-10-06	7/8-14	3/8-18	39.6	15/16
C2404-10-08	7/8-14	1/2-14	44.5	15/16
C2404-10-12	7/8-14	3/4-14	46.2	1-1/8
C2404-12-08	1-1/16-12	1/2-14	47.8	1-1/8
C2404-12-12	1-1/16-12	3/4-14	47.8	1-1/8
C2404-14-12	1-3/16-12	3/4-14	47.8	1-1/4
C2404-16-12	1-5/16-12	3/4-14	47.8	1-3/8
C2404-16-16	1-5/16-12	1-11-1/2	52.6	1-3/8
C2404-20-20	1-5/8-12	1-1/4-11-1/2	55.4	1-11/16
C2404-24-24	1-7/8-12	1-1/2-11-1/2	57.9	2
C2404-32-32	2-1/2-12	2-11-1/2	62.5	2-5/8

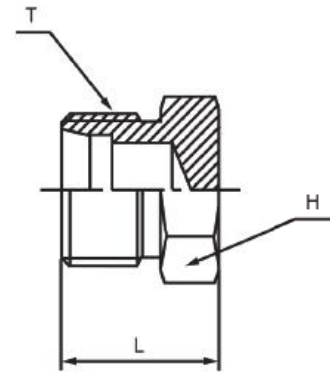
FITTINGS & ADAPTERS

C2405 SERIES
 (1) FLARELESS MALE
 (2) FEMALE PIPE
 SAE# 080103



PART NUMBER	T1(UNF/UN-2A)	T2(NPTF)	L	H(INCH)
C2405-02-02	5/16-24	1/8-27	26.7	9/16
C2405-03-02	3/8-24	1/8-27	27.4	9/16
C2405-04-02	7/16-20	1/8-27	27.7	9/16
C2405-04-04	7/16-20	1/4-18	32.8	3/4
C2405-05-02	1/2-20	1/8-27	27.4	9/16
C2405-06-04	9/16-18	1/4-18	33.3	3/4
C2405-06-06	9/16-18	3/8-18	35.1	7/8
C2405-06-08	9/16-18	1/2-14	40.9	1-1/8
C2405-08-04	3/4-16	1/4-18	37.1	13/16
C2405-08-06	3/4-16	3/8-18	37.3	7/8
C2405-08-08	3/4-16	1/2-14	43.1	1-1/8
C2405-10-08	7/8-14	1/2-14	44.7	1-1/8
C2405-12-12	1-1/16-12	3/4-14	48.0	1-3/8
C2405-14-12	1-3/16-12	3/4-14	47.2	1-3/8
C2405-16-16	1-5/16-12	1-11-1/2	54.1	1-5/8
C2405-20-20	1-5/8-12	1-1/4-11-1/2	56.4	2

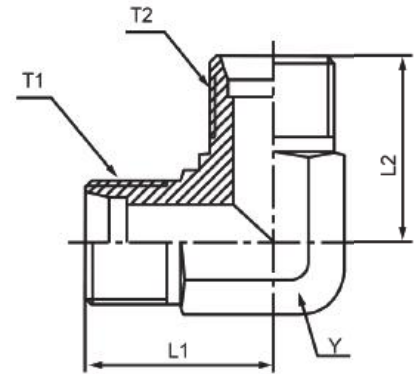
C2408 SERIES
FLARELESS PLUG
SAE# 080109



PART NUMBER	T(UNF/UN- 2A)	L	H(INCH)
C2408-02	5/16-24	16.0	7/16
C2408-03	3/8-24	17.3	7/16
C2408-04	7/16-20	18.0	1/2
C2408-05	1/2-20	18.0	9/16
C2408-06	9/16-18	19.1	5/8
C2408-08	3/4-16	21.6	13/16
C2408-10	7/8-14	24.6	15/16
C2408-12	1-1/16-12	27.9	1-1/8
C2408-14	1-3/16-12	27.9	1-1/4
C2408-16	1-5/16-12	27.9	1-3/8
C2408-20	1-5/8-12	29.9	1-11/16
C2408-24	1-7/8-12	31.8	2
C2408-32	2-1/2-12	35.6	2-5/8

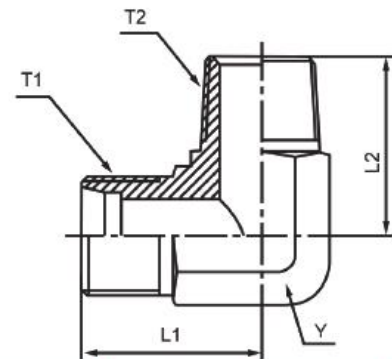
FITTINGS & ADAPTERS

C2500 SERIES (90° ELBOW)
 (1)&(2) FLARELESS MALE
 SAE# 080201



PART NUMBER	T1(UNF/UN-2A)	T2(UNF/UN-2A)	L1	L2	Y(INCH)
C2500-04-04	7/16-20	7/16-20	22.6	22.6	7/16
C2500-05-05	1/2-20	1/2-20	24.1	24.1	9/16
C2500-06-06	9/16-18	9/16-18	26.7	26.7	9/16
C2500-08-08	3/4-16	3/4-16	31.8	31.8	3/4
C2500-10-10	7/8-14	7/8-14	36.1	36.1	7/8
C2500-12-12	1-1/16-12	1-1/16-12	40.1	40.1	1-1/16
C2500-14-14	1-3/16-12	1-3/16-12	42.2	42.2	1-5/16
C2500-16-16	1-5/16-12	1-5/16-12	43.9	43.9	1-5/16
C2500-20-20	1-5/8-12	1-5/8-12	48.0	48.0	1-5/8
C2500-24-24	1-7/8-12	1-7/8-12	51.3	51.3	1-7/8

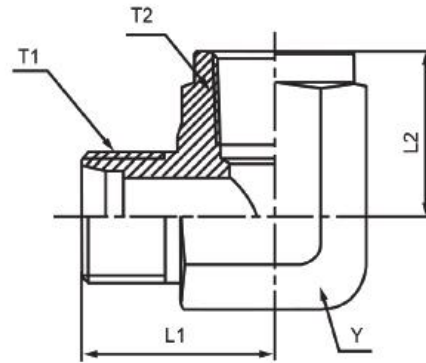
C2501 SERIES (90 ELBOW)
 (1) FLARELESS MALE
 (2) MALE PIPE
 SAE# 080202



PART NUMBER	T1(UNF/UN-2A)	T2(NPTF)	L1	L2	Y(INCH)
C2501-02-02	5/16-24	1/8-27	19.6	18.3	7/16
C2501-03-02	3/8-24	1/8-27	21.1	18.3	s7/16
C2501-04-02	7/16-20	1/8-27	22.6	19.8	7/16
C2501-04-04	7/16-20	1/4-18	26.2	27.7	9/16
C2501-04-06	7/16-20	3/8-18	29.0	31.0	3/4
C2501-05-02	1/2-20	1/8-27	24.1	20.6	9/16
C2501-05-04	1/2-20	1/4-18	26.2	27.7	9/16
C2501-06-02	9/16-18	1/8-27	26.7	22.9	9/16
C2501-06-04	9/16-18	1/4-18	26.7	27.7	9/16
C2501-06-06	9/16-18	3/8-18	29.0	31.0	3/4
C2501-06-08	9/16-18	1/2-14	31.5	37.3	7/8
C2501-08-04	3/4-16	1/4-18	31.8	26.2	3/4
C2501-08-06	3/4-16	3/8-18	31.8	31.0	3/4
C2501-08-08	3/4-16	1/2-14	34.3	37.3	7/8
C2501-10-06	7/8-14	3/8-18	36.1	32.5	7/8
C2501-10-08	7/8-14	1/2-14	36.1	37.3	7/8
C2501-10-12	7/8-14	3/4-14	38.1	40.4	1-1/16
C2501-12-08	1-1/16-12	1/2-14	40.1	40.4	1-1/16
C2501-12-12	1-1/16-12	3/4-14	40.1	40.4	1-1/16
C2501-14-12	1-3/16-12	3/4-14	42.2	42.9	1-5/16
C2501-16-12	1-5/16-12	3/4-14	43.9	45.2	1-5/16
C2501-16-16	1-5/16-12	1-11-1/2	43.9	50.0	1-5/16
C2501-20-20	1-5/8-12	1-1/4-11-1/2	48.0	60.5	1-5/8
C2501-24-24	1-7/8-12	1-1/2-11-1/2	51.3	67.1	1-7/8
C2501-32-32	2-1/2-12	2-11-1/2	62.2	76.2	2-1/2

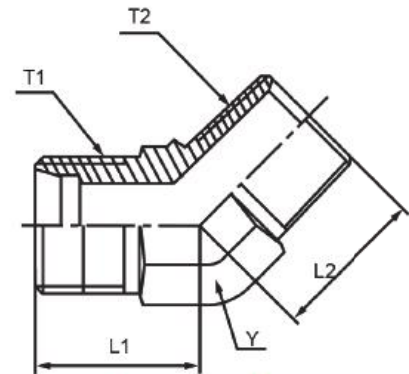
FITTINGS & ADAPTERS

C2502 Series(90 ELBOW)
 (1) FLARELESS MALE
 (2) FEMALE PIPE
 SAE#



PART NUMBER	T1(UNF/UN-2A)	T2(NPTF)	L1	L2	Y(INCH)
C2502-04-02	7/16-20	1/8-27	22.6	16.8	9/16
C2502-04-04	7/16-20	1/4-18	26.1	22.4	3/4
C2502-05-02	1/2-20	1/8-27	24.1	16.8	9/16
C2502-06-04	9/16-18	1/4-18	26.7	22.4	3/4
C2502-06-06	9/16-18	3/8-18	28.5	25.9	7/8
C2502-08-04	3/4-16	1/4-18	31.2	25.7	3/4
C2502-08-06	3/4-16	3/8-18	31.2	25.9	7/8
C2502-08-08	3/4-16	1/2-14	34.3	31.2	1-1/16
C2502-10-08	7/8-14	1/2-14	36.1	31.2	1-1/16
C2502-12-12	1-1/16-12	3/4-14	40.1	34.5	1-5/16
C2502-16-16	1-5/16-12	1-11-1/2	43.9	41.2	1-5/8
C2502-20-20	1-5/8-12	1-1/4-11-1/2	52.8	43.2	1-7/8
C2502-24-24	1-7/8-12	1-1/2-11-1/2	65.5	52.8	2-9/16

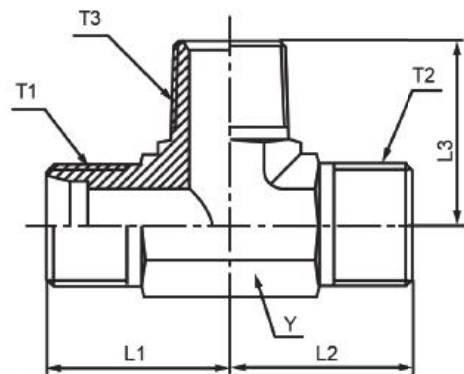
C2503 SERIES(45 ELBOW)
 (1) FLARELESS MALE
 (2) MALE PIPE
 SAE# 080302



PART NUMBER	T1(UNF/UN-2A)	T2(NPTF)	L1	L2	Y(INCH)
C2503-04-02	7/16-20	1/8-27	17.8	16.3	7/16
C2503-04-04	7/16-20	1/4-18	20.6	21.8	9/16
C2503-05-02	1/2-20	1/8-27	19.1	16.4	9/16
C2503-06-04	9/16-18	1/4-18	21.1	21.8	9/16
C2503-08-06	3/4-16	3/8-18	24.9	24.1	3/4
C2503-10-08	7/8-14	1/2-14	27.4	29.7	7/8
C2503-12-12	1-1/16-12	3/4-14	32.3	30.5	1-1/16
C2503-14-12	1-3/16-12	3/4-14	34.0	33.0	1-5/16
C2503-16-16	1-5/16-12	1-11-1/2	34.5	37.9	1-5/16
C2503-20-20	1-5/8-12	1-1/4-11-1/2	36.8	42.4	1-5/8

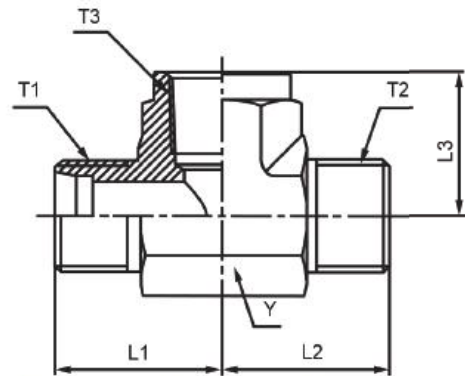
FITTINGS & ADAPTERS

C2601 SERIES (TEE)
 (1)&(2) FLARELESS MALE
 (3) MALE PIPE
 SAE# 080425



PART NUMBER	T1	T2(UNF/UN-2A)	T3(NPTF)	L1(L2)	L3	Y(INCH)
C2601-04-04-02	7/16-20		1/8-27	22.6	19.8	7/16
C2601-04-04-04	7/16-20		1/4-18	26.2	27.7	9/16
C2601-06-06-04	9/16-18		1/4-18	26.7	27.7	9/16
C2601-08-08-06	3/4-16		3/8-18	31.8	31.0	3/4
C2601-08-08-08	3/4-16		1/2-14	34.3	37.3	7/8
C2601-10-10-08	7/8-14		1/2-14	36.1	37.3	7/8
C2601-12-12-12	1-1/16-12		3/4-14	40.1	40.4	1-1/16
C2601-16-16-16	1-5/16-12		1-11-1/2	43.9	50.0	1-5/16

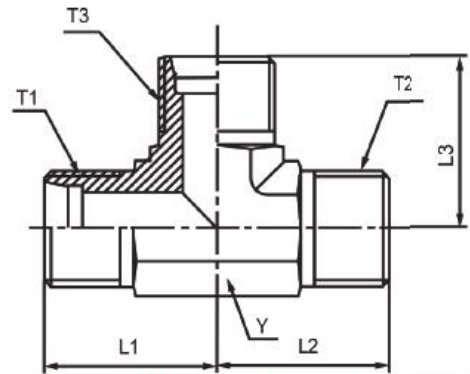
C2602 SERIES(TEE)
 (1)&(2) FLARELESS MALE
 (3) FEMALE PIPE
 SAE# 080427



PART NUMBER	T1	T2(UNF/UN-2A)	T3(NPTF)	L1(L2)	L3	Y(INCH)
C2602-04-04-02		7/16-20	1/8-27	22.6	16.8	9/16
C2602-04-04-04		7/16-20	1/4-18	26.2	22.4	3/4
C2602-06-06-04		9/16-18	1/4-18	26.7	22.4	3/4
C2602-06-06-06		9/16-18	3/8-18	28.5	25.9	7/8
C2602-08-08-06		3/4-16	3/8-18	31.2	25.9	7/8
C2602-08-08-08		3/4-16	1/2-14	34.3	31.2	1-1/16
C2602-10-10-08		7/8-14	1/2-14	36.1	31.2	1-1/16
C2602-12-12-12		1-1/16-12	3/4-14	40.1	34.5	1-5/16
C2602-16-16-16		1-5/16-12	1-11-1/2	43.9	41.2	1-5/8
C2602-20-20-20		1-5/8-12	1-1/4-11-1/2	52.8	43.2	1-7/8

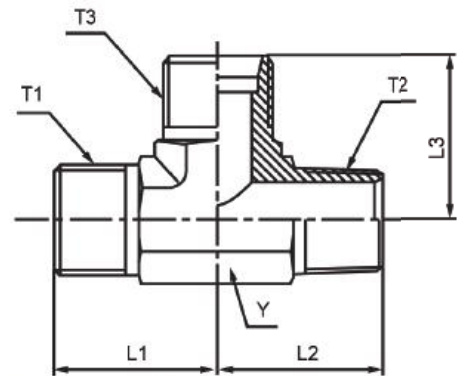
FITTINGS & ADAPTERS

C2603 SERIES(TEE)
 (1)(2)&(3) FLARELESS MALE
 SAE# 080401



PART NUMBER	T1(UNF/UN-2A)	T2(UNF/UN-2A)	T3(UNF/UN-2A)	L1	L2	L3	Y(INCH)
C2603-03-03-03	3/8-24	3/8-24	3/8-24	21.2	21.2	21.2	7/16
C2603-04-04-04	7/16-20	7/16-20	7/16-20	22.6	22.6	22.6	7/16
C2603-05-05-05	1/2-20	1/2-20	1/2-20	24.1	24.1	24.1	9/16
C2603-06-06-06	9/16-18	9/16-18	9/16-18	26.7	26.7	26.7	9/16
C2603-08-08-06	3/4-16	3/4-16	9/16-18	31.8	31.8	29.0	3/4
C2603-08-08-08	3/4-16	3/4-16	3/4-16	31.8	31.8	31.8	3/4
C2603-10-10-10	7/8-14	7/8-14	7/8-14	36.1	36.1	36.1	7/8
C2603-12-12-12	1-1/16-12	1-1/16-12	1-1/16-12	40.1	40.1	40.1	1-1/16
C2603-16-16-16	1-5/16-12	1-5/16-12	1-5/16-12	43.9	43.9	43.9	1-5/16
C2603-20-20-20	1-5/8-12	1-5/8-12	1-5/8-12	48.0	48.0	48.0	1-5/8
C2603-24-24-24	1-7/8-12	1-7/8-12	1-7/8-12	51.3	51.3	51.3	1-7/8

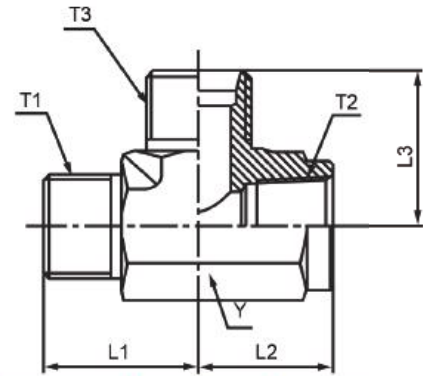
C2605 SERIES (TEE)
 (1)&(3) FLARELESS MALE
 (2) MALE PIPE
 SAE# 080424



PART NUMBER	T1	T3(UNF/UN-2A)	T2(NPTF)	L1(L3)	L2	Y(INCH)
C2605-04-02-04		7/16-20	1/8-27	22.6	19.8	7/16
C2605-04-04-04		7/16-20	1/4-18	26.2	27.7	9/16
C2605-06-04-06		9/16-18	1/4-18	26.7	27.7	9/16
C2605-08-06-08		3/4-16	3/8-18	31.8	31.0	3/4
C2605-08-08-08		3/4-16	1/2-14	34.3	37.3	7/8
C2605-10-08-10		7/8-14	1/2-14	36.1	37.3	7/8
C2605-12-12-12		1-1/16-12	3/4-14	40.1	40.4	1-1/16
C2605-16-16-16		1-5/16-12	1-11-1/2	43.9	50.0	1-5/16

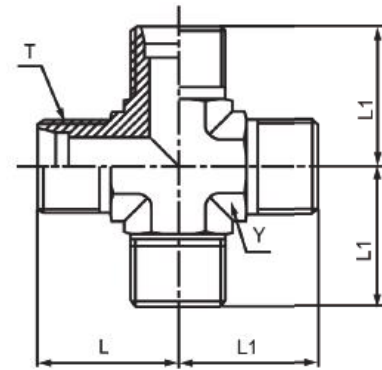
FITTINGS & ADAPTERS

C2606 SERIES(TEE)
 (1)&(3) FLARELESS MALE
 (2) FEMALE PIPE
 SAE# 080426



PART NUMBER	T1	T3(UNF/UN-2A)	T2(NPTF)	L1(L3)	L2	Y(INCH)
C2606-04-02-04		7/16-20	1/8-27	22.6	16.8	9/16
C2606-04-04-04		7/16-20	1/4-18	26.2	22.4	3/4
C2606-06-04-06		9/16-18	1/4-18	26.7	22.4	3/4
C2606-08-06-08		3/4-16	3/8-18	31.2	25.9	7/8
C2606-08-08-08		3/4-16	1/2-14	34.3	31.2	1-1/16
C2606-10-08-10		7/8-14	1/2-14	36.1	31.2	1-1/16
C2606-12-12-12		1-1/16-12	3/4-14	40.1	34.5	1-5/16

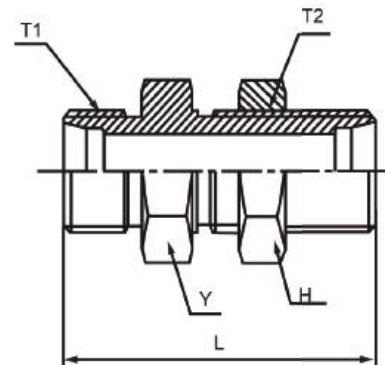
C2650 SERIES(ACROSS)
FLARELESS MALE
SAE#



PART NUMBER	T(UNF/UN-2A)	L	L1	H	Y(INCH)
C2650-04-04-04-04	7/16-20	22.6	22.6	11.1	7/16
C2650-06-06-06-06	9/16-18	26.7	26.7	14.3	9/16
C2650-08-08-08-08	3/4-16	31.8	31.8	19.1	3/4
C2650-10-10-10-10	7/8-14	36.1	36.1	22.2	7/8
C2650-12-12-12-12	1-1/16-12	40.1	40.1	27.0	1-1/16

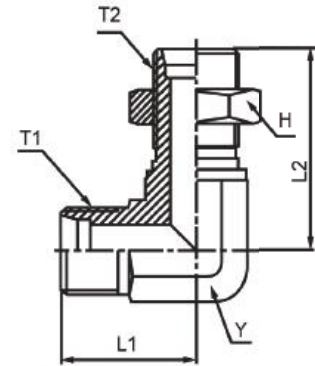
FITTINGS & ADAPTERS

C2700-LN SERIES (BULKHEAD UNION)
 (1) FLARELESS MALE
 (2) FLARELESS BULKHEAD MALE
 SAE# 080601



PART NUMBER	T1(UNF/UN-2A)	T2(UNF/UN-2A)	L	Y(INCH)	H(INCH)
C2700-LN-04-04	7/16-20	7/16-20	48.0	11/16	11/16
C2700-LN-06-06	9/16-18	9/16-18	50.3	13/16	13/16
C2700-LN-08-08	3/4-16	3/4-16	56.4	1	1
C2700-LN-10-10	7/8-14	7/8-14	63.0	1-1/8	1-1/8
C2700-LN-12-12	1-1/16-12	1-1/16-12	69.1	1-3/8	1-3/8
C2700-LN-16-16	1-5/16-12	1-5/16-12	69.1	1-5/8	1-5/8

C2701-LN SERIES (90 ELBOW)
 (1) FLARELESS MALE
 (2) FLARELESS BULKHEAD MALE
 SAE# 080701

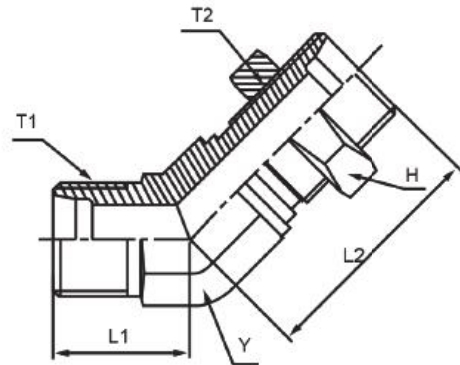


PART NUMBER	T1(UNF/UN-2A)	T2(UNF/UN-2A)	L1	L2	Y(INCH)	H(INCH)
C2701-LN-02-02	5/16-24	5/16-24	20.3	34.5	7/16	9/16
C2701-LN-03-03	3/8-24	3/8-24	23.9	36.6	7/16	5/8
C2701-LN-04-04	7/16-20	7/16-20	24.1	38.6	7/16	11/16
C2701-LN-05-05	1/2-20	1/2-20	26.7	42.2	9/16	3/4
C2701-LN-06-06	9/16-18	9/16-18	27.4	43.2	9/16	13/16
C2701-LN-08-08	3/4-16	3/4-16	33.8	50	3/4	1
C2701-LN-10-10	7/8-14	7/8-14	38.6	57.7	7/8	1-1/8
C2701-LN-12-12	1-1/16-12	1-1/16-12	41.7	63	1-1/16	1-3/8
C2701-LN-14-14	1-3/16-12	1-3/16-12	43.2	64.8	1-5/16	1-1/2
C2701-LN-16-16	1-5/16-12	1-5/16-12	43.9	66.3	1-5/16	1-5/8
C2701-LN-20-20	1-5/8-12	1-5/8-12	51.3	73.4	1-5/8	1-7/8
C2701-LN-24-24	1-7/8-12	1-7/8-12	55.9	80.5	1-7/8	2-1/8
C2701-LN-32-32	2-1/2-12	2-1/2-12	60.7	95.8	2-1/2	2-3/4-1/2

FITTINGS & ADAPTERS

C2702-LN SERIES (45 ELBOW)
 (1) FLARELESS MALE
 (2) FLARELESS BULKHEAD MALE

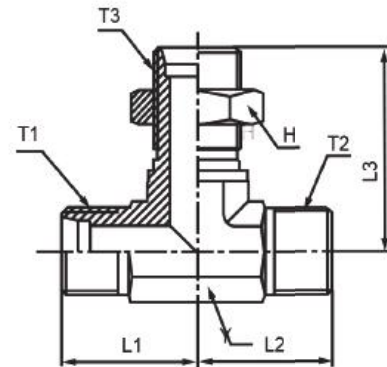
SAE# 080801



PART NUMBER	T1(UNF/UN-2A)	T2(UNF/UN-2A)	L1	L2	Y(INCH)	H(INCH)
C2702-LN-02-02	5/16-24	5/16-24	16.3	32.5	7/16	9/16
C2702-LN-03-03	3/8-24	3/8-24	16.3	33.8	7/16	5/8
C2702-LN-04-04	7/16-20	7/16-20	17.8	36.8	7/16	11/16
C2702-LN-05-05	1/2-20	1/2-20	19.1	36.8	9/16	3/4
C2702-LN-06-06	9/16-18	9/16-18	21.1	39.6	9/16	13/16
C2702-LN-08-08	3/4-16	3/4-16	24.9	46	3/4	1
C2702-LN-10-10	7/8-14	7/8-14	27.4	52.1	7/8	1-1/8
C2702-LN-12-12	1-1/16-12	1-1/16-12	32.3	57.2	1-1/16	1-3/8
C2702-LN-14-14	1-3/16-12	1-3/16-12	34	58.7	1-5/16	1-1/2
C2702-LN-16-16	1-5/16-12	1-5/16-12	34.5	60.5	1-5/16	1-5/8
C2702-LN-20-20	1-5/8-12	1-5/8-12	36.8	61.2	1-5/8	1-7/8
C2702-LN-24-24	1-7/8-12	1-7/8-12	38.6	61.5	1-7/8	2-1/8
C2702-LN-32-32	2-1/2-12	2-1/2-12	46.5	65.5	2-1/2	2-3/4

C2703-LN SERIES (TEE)
 (1)&(2) FLARELESS MALE
 (3) FLARELESS BULKHEAD MALE

SAE# 080959

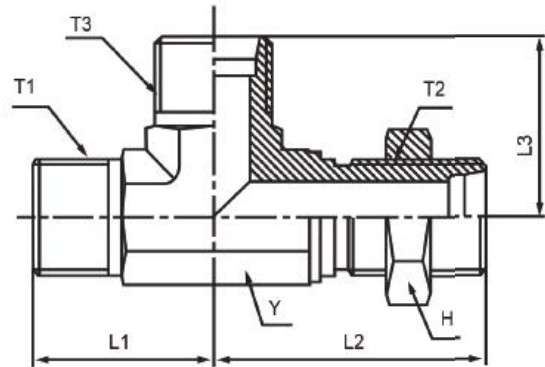


PART NUMBER	T1/T2(UNF/UN-2A)	T3(UNF/UN-2A)	L1(L2)	L3	Y(INCH)	H(INCH)
C2703-LN-02-02-02	5/16-24	5/16-24	20.3	34.5	7/16	9/16
C2703-LN-03-03-03	3/8-24	3/8-24	23.9	36.6	7/16	5/8
C2703-LN-04-04-04	7/16-20	7/16-20	24.1	38.6	7/16	11/16
C2703-LN-05-05-05	1/2-20	1/2-20	26.7	42.2	9/16	3/4
C2703-LN-06-06-06	9/16-18	9/16-18	27.4	43.2	9/16	13/16
C2703-LN-08-08-08	3/4-16	3/4-16	33.8	50	3/4	1
C2703-LN-10-10-10	7/8-14	7/8-14	38.6	57.7	7/8	1-1/8
C2703-LN-12-12-12	1-1/16-12	1-1/16-12	41.7	63	1-1/16	1-3/8
C2703-LN-14-14-14	1-3/16-12	1-3/16-12	43.2	64.8	1-5/16	1-1/2
C2703-LN-16-16-16	1-5/16-12	1-5/16-12	43.9	66.3	1-5/16	1-5/8
C2703-LN-20-20-20	1-5/8-12	1-5/8-12	51.3	73.4	1-5/8	1-7/8
C2703-LN-24-24-24	1-7/8-12	1-7/8-12	55.9	80.5	1-7/8	2-1/8
C2703-LN-32-32-32	2-1/2-12	2-1/2-12	60.7	95.8	2-1/2	2-3/4

FITTINGS & ADAPTERS

C2704-LN SERIES (TEE)
 (1)&(3) FLARELESS MALE
 (2) FLARELESS BULKHEAD MALE

SAE# 080958

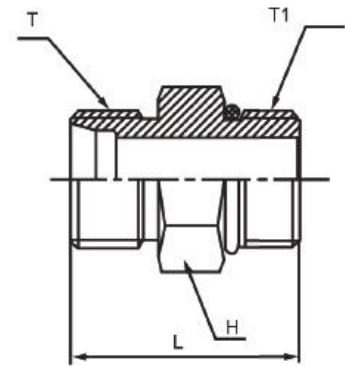


PART NUMBER	T1/T3(UNF/UN-2A)	T2(UNF/UN-2A)	L1(L3)	L2	Y(INCH)	H(INCH)
C2704-LN-02-02-02	5/16-24	5/16-24	20.3	34.5	7/16	9/16
C2704-LN-03-03-03	3/8-24	3/8-24	23.9	36.6	7/16	5/8
C2704-LN-04-04-04	7/16-20	7/16-20	24.1	38.6	7/16	11/16
C2704-LN-05-05-05	1/2-20	1/2-20	26.7	42.2	9/16	3/4
C2704-LN-06-06-06	9/16-18	9/16-18	27.4	43.2	9/16	13/16
C2704-LN-08-08-08	3/4-16	3/4-16	33.8	50	3/4	1
C2704-LN-10-10-10	7/8-14	7/8-14	38.6	57.7	7/8	1-1/8
C2704-LN-12-12-12	1-1/16-12	1-1/16-12	41.7	63	1-1/16	1-3/8
C2704-LN-14-14-14	1-3/16-12	1-3/16-12	43.2	64.8	1-5/16	1-1/2
C2704-LN-16-16-16	1-5/16-12	1-5/16-12	43.9	66.3	1-5/16	1-5/8
C2704-LN-20-20-20	1-5/8-12	1-5/8-12	51.3	73.4	1-5/8	1-7/8
C2704-LN-24-24-24	1-7/8-12	1-7/8-12	55.9	80.5	1-7/8	2-1/8
C2704-LN-32-32-32	2-1/2-12	2-1/2-12	60.7	95.8	2-1/2	2-3/4

FITTINGS & ADAPTERS

C6400 SERIES
 (1) FLARELESS MALE
 (2) O-RING MALE BOSS

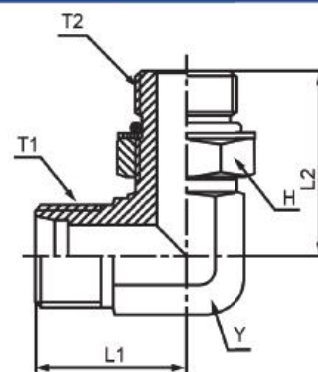
SAE# 080120



PART NUMBER	T(UNF/UN-2A)	T1(UNF/UN-2A)	L	H(INCH)
C6400-02-02-O	5/16-24	5/16-24	25.2	7/16
C6400-03-03-O	3/8-24	3/8-24	26.4	1/2
C6400-04-02-O	7/16-20	5/16-24	27.2	1/2
C6400-04-04-O	7/16-20	7/16-20	28.8	9/16
C6400-04-05-O	7/16-20	1/2-20	28.8	5/8
C6400-04-06-O	7/16-20	9/16-18	30.3	11/16
C6400-05-05-O	1/2-20	1/2-20	28.8	5/8
C6400-06-06-O	9/16-18	9/16-18	30.7	11/16
C6400-06-08-O	9/16-18	3/4-16	32.8	7/8
C6400-08-06-O	3/4-16	9/16-18	34.0	13/16
C6400-08-08-O	3/4-16	3/4-16	35.1	7/8
C6400-08-10-O	3/4-16	7/8-14	38.4	1
C6400-08-12-O	3/4-16	1-1/16-12	42.4	1-1/4
C6400-10-10-O	7/8-14	7/8-14	39.9	1
C6400-12-08-O	1-1/16-12	3/4-16	44.7	1-1/8
C6400-12-12-O	1-1/16-12	1-1/16-12	45.5	1-1/4
C6400-12-16-O	1-1/16-12	1-5/16-12	46.2	1-1/2
C6400-16-12-O	1-5/16-12	1-1/16-12	46.2	1-1/2
C6400-16-16-O	1-5/16-12	1-5/16-12	46.3	1-1/2
C6400-20-20-O	1-5/8-12	1-5/8-12	48.3	1-7/8
C6400-24-24-O	1-7/8-12	1-7/8-12	50.0	2-1/8
C6400-32-32-O	2-1/2-12	2-1/2-12	54.1	2-3/4

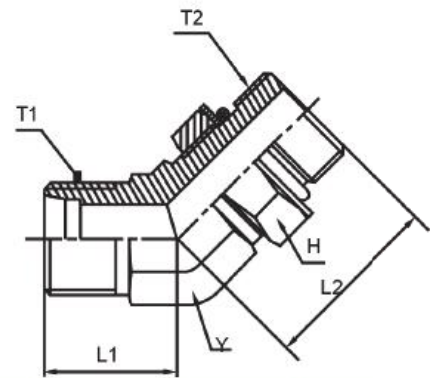
FITTINGS & ADAPTERS

C6801 SERIES (90 ELBOW)
 (1) FLARELESS MALE
 (2) ADJUSTABLE O-RING
 SAE# 080220



PART NUMBER	T1(UNF/UN-2A)	T2(UNF/UN-2A)	L1	L2	Y(INCH)	H(INCH)
C6801-03-03-NWO	3/8-24	3/8-24	21.1	23.9	7/16	1/2
C6801-04-04-NWO	7/16-20	7/16-20	22.6	26.2	7/16	9/16
C6801-06-06-NWO	9/16-18	9/16-18	26.7	31.8	9/16	11/16
C6801-06-08-NWO	9/16-18	3/4-16	29.0	36.8	3/4	7/8
C6801-08-06-NWO	3/4-16	9/16-18	31.8	33.5	3/4	11/16
C6801-08-08-NWO	3/4-16	3/4-16	31.8	36.8	3/4	7/8
C6801-08-10-NWO	3/4-16	7/8-14	34.3	43.2	7/8	1
C6801-08-12-NWO	3/4-16	1-1/16-12	36.3	49.3	1-1/16	1-1/4
C6801-10-10-NWO	7/8-14	7/8-14	36.1	43.2	7/8	1
C6801-12-08-NWO	1-1/16-12	3/4-16	40.1	41.2	1-1/16	7/8
C6801-12-10-NWO	1-1/16-12	7/8-14	40.1	47.2	1-1/16	1
C6801-12-12-NWO	1-1/16-12	1-1/16-12	40.1	49.3	1-1/16	1-1/4
C6801-16-16-NWO	1-5/16-12	1-5/16-12	43.9	52.1	1-5/16	1-1/2
C6801-20-20-NWO	1-5/8-12	1-5/8-12	48.0	57.2	1-5/8	1-7/8
C6801-24-24-NWO	1-7/8-12	1-7/8-12	51.3	60.7	1-7/8	2-1/8

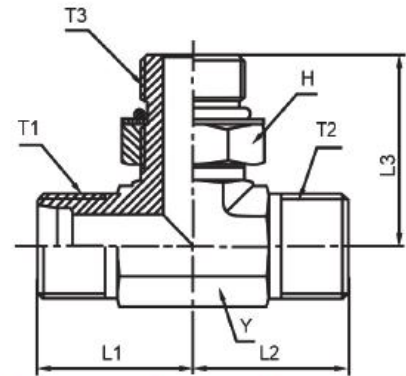
C6802 SERIES (45 ELBOW)
 (1) FLARELESS MALE
 (2) ADJUSTABLE O-RING
 SAE# 080320



PART NUMBER	T1(UNF-2A)	T2(UNF-2A)	L1	L2	Y(INCH)	H(INCH)
C6802-04-04-NWO	7/16-20	7/16-20	17.8	26.7	7/16	9/16
C6802-06-06-NWO	9/16-18	9/16-18	21.1	29.0	9/16	11/16
C6802-08-08-NWO	3/4-16	3/4-16	24.9	33.0	3/4	7/8
C6802-10-10-NWO	7/8-14	7/8-14	27.4	38.6	7/8	1
C6802-12-12-NWO	1-1/16-12	1-1/16-12	32.3	43.9	1-1/16	1-1/4
C6802-16-16-NWO	1-5/16-12	1-5/16-12	34.5	47.2	1-5/16	1-1/2
C6802-20-20-NWO	1-5/8-12	1-5/8-12	36.8	48.5	1-5/8	1-7/8

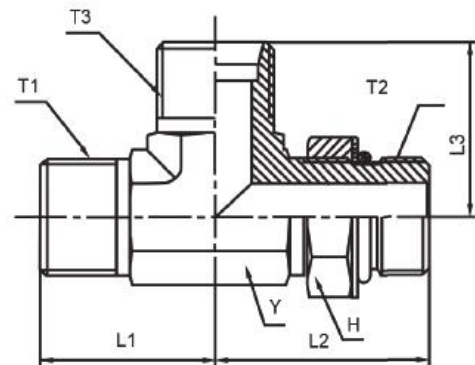
FITTINGS & ADAPTERS

C6803 SERIES (TEE)
 (1)&(2) FLARELESS MALE
 (3) ADJUSTABLE O-RING
 SAE# 080429






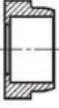

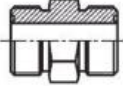
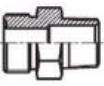

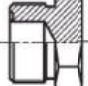

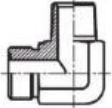

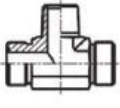

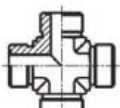

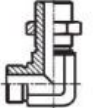

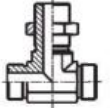
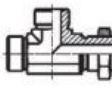


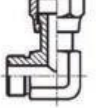
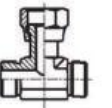
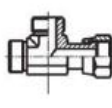
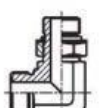
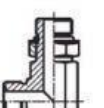


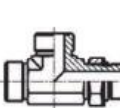
PART NUMBER	T1/T2(UNF-2A)	T3(UNF-2A)	L1(L2)	L3	Y(INCH)	H(INCH)
C6803-04-04-04-NWO	7/16-20	7/16-20	22.6	26.2	7/16	9/16
C6803-06-06-06-NWO	9/16-18	9/16-18	26.7	31.8	9/16	11/16
C6803-08-08-08-NWO	3/4-16	3/4-16	31.8	36.8	3/4	7/8
C6803-10-10-10-NWO	7/8-14	7/8-14	36.1	43.2	7/8	1
C6803-12-12-12-NWO	1-1/16-12	1-1/16-12	40.1	49.3	1-1/16	1-1/4

C6804 SERIES(TEE)
 (1)&(3) FLARELESS MALE
 (2) ADJUSTABLE O-RING
 SAE# 080428

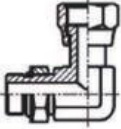




PART NUMBER	T1/T3(UNF-2A)	T2(UNF-2A)	L1(L3)	L2	Y(INCH)	H(INCH)
C6804-04-04-04-NWO	7/16-20	7/16-20	22.6	22.6	7/16	9/16
C6804-06-06-06-NWO	9/16-18	9/16-18	26.7	31.8	9/16	11/16
C6804-08-08-08-NWO	3/4-16	3/4-16	31.8	36.8	3/4	7/8
C6804-10-10-10-NWO	7/8-14	7/8-14	36.1	43.2	7/8	1
C6804-12-12-12-NWO	1-1/16-12	1-1/16-12	40.1	49.3	1-1/16	1-1/4

O-RING FACE SEAL

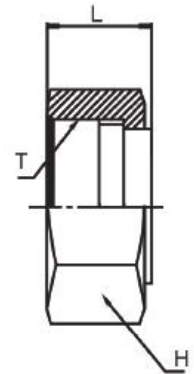
(520112)  FS0304 CAP NUT P177	(520118)  FS0306 TUBE NUT P178	(520110)  FS0318 TUBE NUT P179	(520115)  FS0319 TUBE SLEEVE P180	(520104)  FS0403 (1) MALE ORFS (2) BORE P181
(520101)  FS2403 (1)&(2) MALE ORFS P182	(520123)  FS2404 (1) MALE ORFS (2) MALE PIPE P183	(520109)  FS2406 (1) FEMALE ORFS (2) MALE ORFS P184	(520109)  FS2408 MALE ORFS PLUG P185	(520201)  FS2500 (1)&(2) MALE ORFS P186
(520401)  FS2501 (1) MALE ORFS (2) MALE PIPE P187	(520201)  FS2503 (1) MALE ORFS (2) MALE PIPE P188	(520401)  FS2601 (1)&(2) MALE ORFS (3) MALE PIPE P189	(520401)  FS2603 (1), (2)&(3) MALE ORFS P190	(520201)  FS2650 (1)-(3) MALE ORFS P191
(520601)  FS2700-LN (1) MALE ORFS (2) BULKHEAD ORFS P192	(520701)  FS2701-LN (1) MALE ORFS (2) BULKHEAD ORFS P193	(520801)  FS2702-LN (1) MALE ORFS (2) BULKHEAD ORFS P194	(520959)  FS2703-LN (1)&(2) MALE ORFS (3) BULKHEAD ORFS P195	(520958)  FS2704-LN (1)&(3) MALE ORFS (2) BULKHEAD ORFS P196
(520120)  FS6400 (1) MALE ORFS (2) MALE O-RING P197	(520221)  FS6400-L (1) MALE ORFS (2) MALE O-RING P198	(520433)  FS6500 (1) MALE ORFS (2) ORFS FEMALE SWIVEL P199	(520433)  FS6600 (1)&(2) MALE ORFS (2) ORFS FEMALE SWIVEL P200	(520432)  FS6602 (1)&(3) MALE ORFS (2) ORFS FEMALE SWIVEL P201
(520220)  FS6801 (1) MALE ORFS (2) ADJUSTABLE O-RING P202	(520320)  FS6801-L (1) MALE ORFS (2) ADJUSTABLE O-RING P203	(520429)  FS6802 (1) MALE ORFS (2) ADJUSTABLE O-RING P204	(520429)  FS6803 (1)&(2) MALE ORFS (3) ADJUSTABLE O-RING P205	(520428)  FS6804 (1)&(3) MALE ORFS (2) ADJUSTABLE O-RING P206

O-RING FACE SEAL

(520281)				
				
FS6809 (1) ADJUSTABLE O-RING (2) ORFS FEMALE SWIVEL	FS-MJIC2403 (1) 3/8" MALE TUBE (2) MALE ORFS	FS-MJIC6504 (1) ORFS FEMALE SWIVEL (2) 3/8" FEMALE SWIVEL	P207	P208

FITTINGS & ADAPTERS

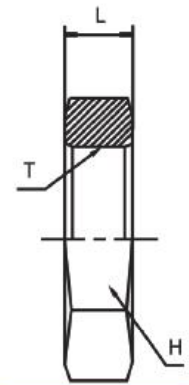
FS0304 SERIES
CAP NUT
SAEJ1453 520112



PART NUMBER	T(UNF/UN- 2B)	L	H(INCH)
FS0304-C-04	9/16-18	16.9	11/16
FS0304-C-06	11/16-16	18.9	13/16
FS0304-C-08	13/16-16	22.9	15/16
FS0304-C-10	1-14	25.4	1-1/8
FS0304-C-12	1-3/16-12	28	1-3/8
FS0304-C-16	1-7/16-12	27.2	1-5/8
FS0304-C-20	1-11/16-12	29.8	1-7/8
FS0304-C-24	2-12	29.8	2-1/4

FS0306 SERIES(BULKHEAD LOCKNUT)

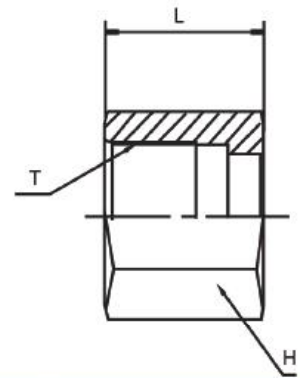
SAE# 520118



PART NUMBER	TUBE OD	T(UNF/UN-2B)	L	H(INCH)
FS0306-04	1/4	9/16-18	6.9	13/16
FS0306-06	3/8	11/16-16	7.9	1
FS0306-08	1/2	13/16-16	8.9	1-1/8
FS0306-10	5/8	1-14	10.4	1-5/16
FS0306-12	3/4	1-3/16-12	10.4	1-1/2
FS0306-16	1	1-7/16-12	10.4	1-3/4
FS0306-20	1-1/4	1-11/16-12	10.4	2
FS0306-24	1-1/2	2-12	10.4	2-3/8

FITTINGS & ADAPTERS

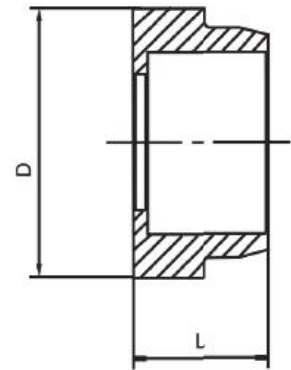
FS0318 SERIES
TUBE NUT
SAE# 520110



PART NUMBER	T(UNF/UN- 2B)	L	H(INCH)
FS0318-04	9/16-18	14.7	11/16
FS0318-06	11/16-16	17.0	13/16
FS0318-08	13/16-16	21.0	15/16
FS0318-10	1-14	23.5	1-1/8
FS0318-12	1-3/16-12	26.0	1-3/8
FS0318-16	1-7/16-12	27.8	1-5/8
FS0318-20	1-11/16-12	27.8	1-7/8
FS0318-24	2-12	27.8	2-1/4

FS0319 SERIES
TUBE SLEEVE

SAE# 520115

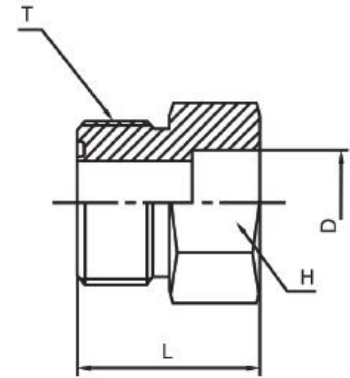


PART NUMBER	TUBE OD	L	D
FS0319-04	1/4	9.5	12.75
FS0319-06	3/8	9.5	15.75
FS0319-08	1/2	9.5	18.92
FS0319-10	5/8	10.5	23.44
FS0319-12	3/4	14	27.86
FS0319-16	1	15.5	34.21
FS0319-20	1-1/4	15.5	40.56
FS0319-24	1-1/2	15.5	48.51

FITTINGS & ADAPTERS

FS0403 SERIES
 (1) MALE ORFS
 (2) BORE

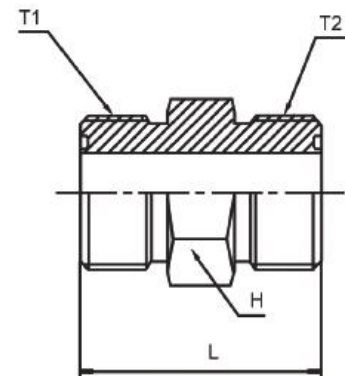
SAE# 520104



PART NUMBER	T(UNF/UN-2A)	TUBE OD	L	D	H(INCH)
FS0403-04-04	9/16-18	1/4	21.8	6.5	5/8
FS0403-04-06	9/16-18	3/8	21.8	9.7	5/8
FS0403-06-06	11/16-16	3/8	22.9	9.7	3/4
FS0403-06-10	11/16-16	5/8	22.9	16.0	7/8
FS0403-08-06	13/16-16	3/8	24.6	9.7	7/8
FS0403-08-08	13/16-16	1/2	24.6	12.9	7/8
FS0403-08-10	13/16-16	5/8	24.6	16.0	7/8
FS0403-10-08	1-14	1/2	27.2	12.9	1-1/16
FS0403-10-10	1-14	5/8	27.2	16.0	1-1/16
FS0403-12-10	1-3/16-12	5/8	29.5	16.0	1-1/4
FS0403-12-12	1-3/16-12	3/4	33.5	19.2	1-1/4
FS0403-16-12	1-7/16-12	3/4	38.6	19.2	1-1/2
FS0403-16-16	1-7/16-12	1	38.6	25.6	1-1/2
FS0403-20-20	1-11/16-12	1-1/4	38.6	32.0	1-3/4
FS0403-24-20	2-12	1-1/4	38.6	32.0	2-1/8
FS0403-24-24	2-12	1-1/2	38.6	38.3	2-1/8

FS2403 SERIES(STRAIGHT UNION) (1)&(2) MALE ORFS

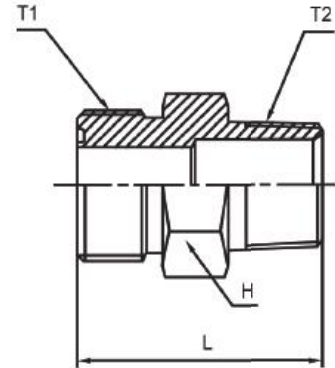
SAE# 520101



PART NUMBER	T1(UNF/UN-2A)	T2(UNF/UN-2A)	L	H(INCH)
FS2403-04-04	9/16-18	9/16-18	27.4	5/8
FS2403-06-04	11/16-16	9/16-18	29.7	3/4
FS2403-06-06	11/16-16	11/16-16	31	3/4
FS2403-08-06	13/16-16	11/16-16	33.8	7/8
FS2403-08-08	13/16-16	13/16-16	35.3	7/8
FS2403-10-08	1-14	13/16-16	39.9	1-1/16
FS2403-10-10	1-14	1-14	42.7	1-1/16
FS2403-12-08	1-3/16-12	13/16-16	42.9	1-1/4
FS2403-12-10	1-3/16-12	1-14	45.7	1-1/4
FS2403-12-12	1-3/16-12	1-3/16-12	47.2	1-1/4
FS2403-16-12	1-7/16-12	1-3/16-12	48.8	1.1/2
FS2403-16-16	1-7/16-12	1-7/16-12	49.3	1.1/2
FS2403-20-16	1-11/16-12	1-7/16-12	51.3	1-3/4
FS2403-20-20	1-11/16-12	1-11/16-12	51.3	1-3/4
FS2403-24-24	2-12	2-12	53.1	2-1/8

FITTINGS & ADAPTERS

FS2404 SERIES(STRAIGHT UNION)
 (1) MALE ORFS
 (2) MALE PIPE
 SAE#

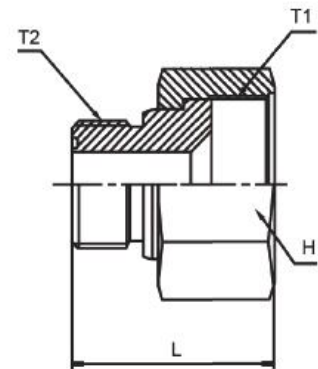


PART NUMBER	T1(UNF/UN-2A)	T2(NPTF)	L	H(INCH)
FS2404-04-02	9/16-18	1/8-27	27.4	5/8
FS2404-04-04	9/16-18	1/4-18	31.9	5/8
FS2404-04-06	9/16-18	3/8-18	32.7	3/4
FS2404-06-02	11/16-16	1/8-27	29.6	3/4
FS2404-06-04	11/16-16	1/4-18	34.1	3/4
FS2404-06-06	11/16-16	3/8-18	34.1	3/4
FS2404-06-08	11/16-16	1/2-14	40	7/8
FS2404-08-04	13/16-16	1/4-18	36.8	7/8
FS2404-08-06	13/16-16	3/8-18	36.8	7/8
FS2404-08-08	13/16-16	1/2-14	41.7	7/8
FS2404-08-12	13/16-16	3/4-14	42.9	1-1/8
FS2404-10-08	1-14	1/2-14	46.1	1-1/16
FS2404-10-12	1-14	3/4-14	46.1	1-1/16
FS2404-12-08	1-3/16-12	1/2-14	49.2	1-1/4
FS2404-12-12	1-3/16-12	3/4-14	49.2	1-1/4
FS2404-12-16	1-3/16-12	1-11-1/2	54	1-5/16
FS2404-16-12	1-7/16-12	3/4-14	50.9	1-1/2
FS2404-16-16	1-7/16-12	1-11-1/2	55.7	1-1/2
FS2404-16-20	1-7/16-12	1-1/4-11-1/2	58.4	1-11/16
FS2404-20-16	1-11/16-12	1-11-1/2	57.7	1-3/4
FS2404-20-20	1-11/16-12	1-1/4-11-1/2	58.4	1-3/4
FS2404-24-24	2-12	1-1/2-11-1/2	61	2-1/8

FS2406 SERIES (REDUCER ASSEMBLY)

- (1) FEMALE ORFS
- (2) MALE ORFS

SAE# 520123

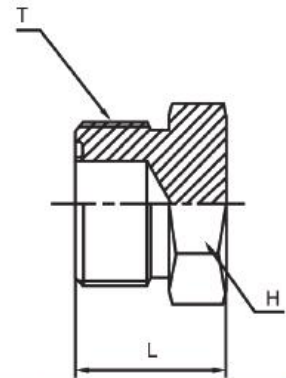


PART NUMBER	T1(UNF/UN-2B)	T2(UNF/UN-2A)	L	H(INCH)
FS2406-06-04	11/16-16	9/16-18	29.1	13/16
FS2406-08-04	13/16-16	9/16-18	32.9	15/16
FS2406-08-06	13/16-16	11/16-16	33.7	15/16
FS2406-10-04	1-14	9/16-18	36.4	1-1/8
FS2406-10-06	1-14	11/16-16	37.7	1-1/8
FS2406-10-08	1-14	13/16-16	39.2	1-1/8
FS2406-12-04	1-3/16-12	9/16-18	39.4	1-3/8
FS2406-12-06	1-3/16-12	11/16-16	40.7	1-3/8
FS2406-12-08	1-3/16-12	13/16-16	42.2	1-3/8
FS2406-12-10	1-3/16-12	1-14	44	1-3/8
FS2406-16-08	1-7/16-12	13/16-16	44.0	1-5/8
FS2406-16-12	1-7/16-12	1-3/16-12	48	1-5/8
FS2406-20-12	1-11/16-12	1-3/16-12	48.3	1-7/8
FS2406-20-16	1-11/16-12	1-7/16-12	53.2	1-7/8
FS2406-24-16	2-12	1-7/16-12	48.9	2-1/4
FS2406-24-20	2-12	1-11/16-12	48.9	2-1/4

FITTINGS & ADAPTERS

FS2408 SERIES
MALE ORFS PLUG

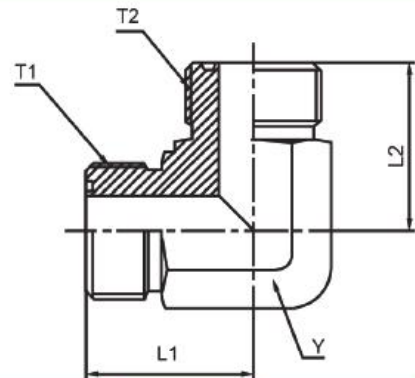
SAE# 520109



PART NUMBER	T(UNF/UN-2A)	L	H(INCH)
FS2408-04	9/16-18	16.7	5/8
FS2408-06	11/16-16	19.1	3/4
FS2408-08	13/16-16	21.7	7/8
FS2408-10	1-14	25.9	1-1/16
FS2408-12	1-3/16-12	27.4	1-1/4
FS2408-16	1-7/16-12	27.9	1-1/2
FS2408-20	1-11/16-12	27.9	1-3/4
FS2408-24	2-12	27.9	2-1/8

FS2500 SERIES (90 ELBOW)
(1)&(2) MALE ORFS

SAE# 520201



PART NUMBER	T1(UNF/UN-2A)	T2(UNF/UN-2A)	L1	L2	Y(INCH)
FS2500-04-04	9/16-18	9/16-18	21.6	21.6	9/16
FS2500-06-06	11/16-16	11/16-16	24.9	24.9	3/4
FS2500-08-08	13/16-16	13/16-16	28.0	28.0	3/4
FS2500-10-10	1-14	1-14	33.3	33.3	1-1/16
FS2500-12-12	1-3/16-12	1-3/16-12	37.3	37.3	1-3/16
FS2500-16-16	1-7/16-12	1-7/16-12	41.7	41.7	1-7/16
FS2500-20-20	1-11/16-12	1-11/16-12	44.7	44.7	1-5/8
FS2500-24-24	2-12	2-12	48.8	48.8	1-7/8

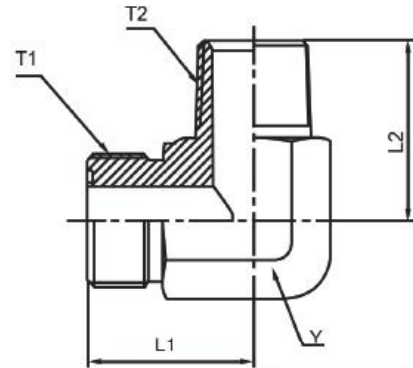
FITTINGS & ADAPTERS

FS2501 SERIES (90 ELBOW)

(1) MALE ORFS

(2) MALE PIPE

SAE#



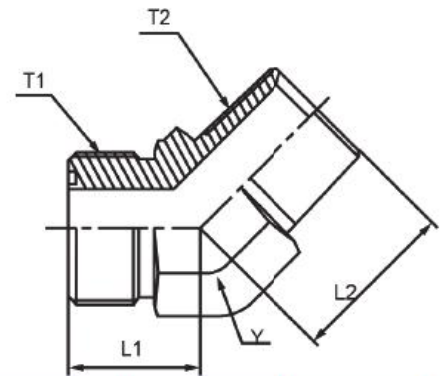
PART NUMBER	T1(UNF/UN-2A)	T2(NPTF)	L1	L2	Y(INCH)
FS2501-04-02	9/16-18	1/8-27	21.6	19.8	9/16
FS2501-04-04	9/16-18	1/4-18	21.6	28.5	9/16
FS2501-04-06	9/16-18	3/8-18	24.6	31	3/4
FS2501-04-08	9/16-18	1/2-14	27.7	37.3	7/8
FS2501-06-04	11/16-16	1/4-18	24.9	27.7	3/4
FS2501-06-06	11/16-16	3/8-18	27.7	31	3/4
FS2501-06-08	11/16-16	1/2-14	27.9	37.3	7/8
FS2501-08-04	13/16-16	1/4-18	27.9	31	3/4
FS2501-08-06	13/16-16	3/8-18	27.9	31	3/4
FS2501-08-08	13/16-16	1/2-14	27.9	37.3	7/8
FS2501-08-12	13/16-16	3/4-14	33.5	40.4	1-1/16
FS2501-10-08	1-14	1/2-14	33.3	37.3	1-1/16
FS2501-10-12	1-14	3/4-14	35.8	40.4	1-1/16
FS2501-10-16	1-14	1-11-1/2	39.6	50	1-5/16
FS2501-12-08	1-3/16-12	1/2-14	37.3	40.4	1-3/16
FS2501-12-12	1-3/16-12	3/4-14	37.3	40.4	1-3/16
FS2501-12-16	1-3/16-12	1-11-1/2	41.2	50.0	1-5/16
FS2501-16-12	1-7/16-12	3/4-14	41.7	45.2	1-7/16
FS2501-16-16	1-7/16-12	1-11-1/2	41.7	50.0	1-7/16
FS2501-20-16	1-11/16-12	1-11-1/2	44.7	59.0	1-5/8
FS2501-20-20	1-11/16-12	1-1/4-11-1/2	44.7	60.5	1-5/8
FS2501-24-20	2-12	1-1/4-11-1/2	48.8	66.0	1-7/8
FS2501-24-24	2-12	1-1/2-11-1/2	48.8	67.0	1-7/8

FS2503 SERIES (45 ELBOW)

(1) MALE ORFS

(2) MALE PIPE

SAE#

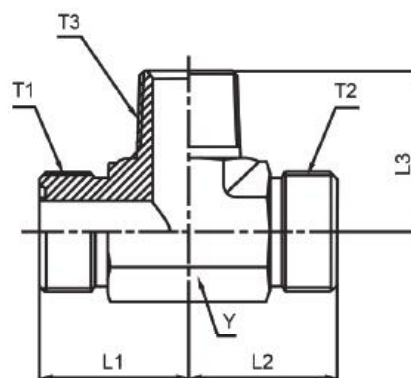


PART NUMBER	T1(UNF/UN-2A)	T2(NPTF)	L1	L2	Y(INCH)
FS2503-04-02	9/16-18	1/8-27	16	16.3	9/16
FS2503-04-04	9/16-18	1/4-18	16	21.8	9/16
FS2503-06-04	11/16-16	1/4-18	18.8	21.8	3/4
FS2503-06-06	11/16-16	3/8-18	18.8	24.1	3/4
FS2503-08-06	13/16-16	3/8-18	20.3	24.1	3/4
FS2503-08-08	13/16-16	1/2-14	20.3	29.7	7/8
FS2503-10-08	1-14	1/2-14	23.4	29.9	1-1/16
FS2503-12-12	1-3/16-12	3/4-14	25.9	33.0	1-3/16
FS2503-16-16	1-7/16-12	1-11-1/2	30.0	39.6	1-7/16
FS2503-20-20	1-11/16-12	1-1/4-11-1/2	32	42.4	1-5/8

FITTINGS & ADAPTERS

FS2601 SERIES (TEE)
 (1)&(2) MALE ORFS
 (3) MALE PIPE

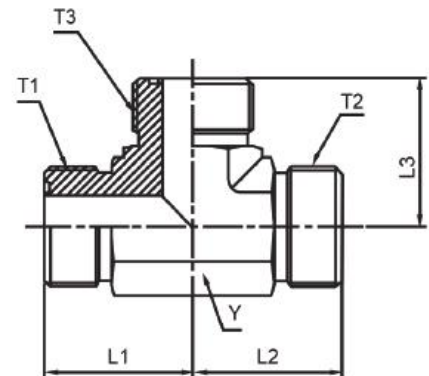
SAE#



PART NUMBER	T1 T2(UNF/UN-2A)	T3(NPTF)	L1(L2)	L3	Y(INCH)
FS2601-04-04-04	9/16-18	1/4-18	21.6	27.7	9/16
FS2601-06-06-04	11/16-16	1/4-18	24.9	27.7	3/4
FS2601-06-06-06	11/16-16	3/8-18	24.9	31.0	3/4
FS2601-08-08-06	13/16-16	3/8-18	27.9	31.0	3/4
FS2601-08-08-08	13/16-16	1/2-14	27.9	37.3	7/8
FS2601-12-12-12	1-3/16-12	3/4-14	37.3	40.4	1-3/16
FS2601-16-16-16	1-7/16-12	1-11-1/2	41.7	50.0	1-7/16
FS2601-20-20-20	1-11/16-12	1-1/4-11-1/2	44.7	60.5	1-5/8

FS2603 SERIES (1)(2)&(3) MALE ORFS

SAE# 520401

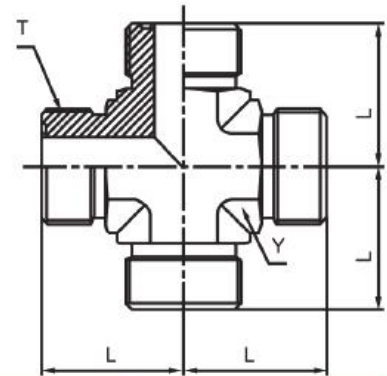


PART NUMBER	T1(UNF/UN-2A)	T2(UNF/UN-2A)	T3(UNF/UN-2A)	L1	L2	L3	Y(INCH)
FS2603-04-04-04	9/16-18	9/16-18	9/16-18	21.6	21.6	21.6	9/16
FS2603-06-06-06	11/16-16	11/16-16	11/16-16	24.9	24.9	24.9	3/4
FS2603-08-08-08	13/16-16	13/16-16	13/16-16	27.9	27.9	27.9	3/4
FS2603-10-10-10	1-14	1-14	1-14	33.3	33.3	33.3	1-1/16
FS2603-12-12-12	1-3/16-12	1-3/16-12	1-3/16-12	37.3	37.3	37.3	1-3/16
FS2603-12-12-16	1-3/16-12	1-3/16-12	1-7/16-12	41.1	41.1	41.6	1-7/16
FS2603-16-16-12	1-7/16-12	1-7/16-12	1-3/16-12	41.7	41.7	41.7	1-7/16
FS2603-16-16-16	1-7/16-12	1-7/16-12	1-7/16-12	41.7	41.7	41.7	1-7/16
FS2603-20-20-16	1-11/16-12	1-11/16-12	1-7/16-12	44.7	44.7	44.7	1-5/8
FS2603-20-20-20	1-11/16-12	1-11/16-12	1-11/16-12	44.7	44.7	44.7	1-5/8
FS2603-24-24-24	2-12	2-12	2-12	48.8	48.8	48.8	1-7/8

FITTINGS & ADAPTERS

FS2650 SERIES(ACROSS)
(1)~(4) MALE ORFS

SAE# 520201



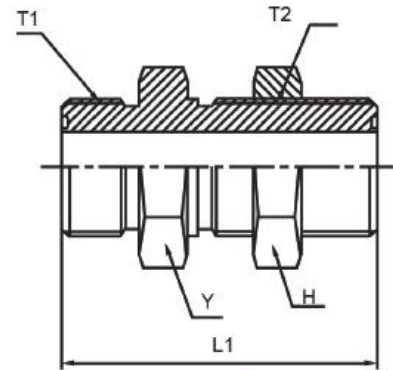
PART NUMBER	T(UNF/UN- 2A)	L	Y(INCH)
FS2650-04-04-04-04	9/16-18	21.6	9/16
FS2650-06-06-06-06	11/16-16	24.9	3/4
FS2650-08-08-08-08	13/16-16	27.9	3/4
FS2650-10-10-10-10	1-14	33.3	1-1/16
FS2650-12-12-12-12	1-3/16-12	37.3	1-3/16
FS2650-16-16-16-16	1-7/16-12	41.7	1-7/16
FS2650-20-20-20-20	1-11/16-12	44.7	1-5/8
FS2650-24-24-24-24	2-12	48.8	1-7/8

FS2700-LN SERIES (BULKHEAD UNION)

(1) MALE ORFS

(2) BULKHEAD ORFS

SAE# 520601



PART NUMBER	T1(UNF/UN-2A)	T2(UNF/UN-2A)	L1	Y(INCH)	H(INCH)
FS2700-LN-04-04	9/16-18	9/16-18	48.3	13/16	13/16
FS2700-LN-06-06	11/16-16	11/16-16	53.1	1	1
FS2700-LN-08-08	13/16-16	13/16-16	58.4	1-1/8	1-1/8
FS2700-LN-10-10	1-14	1-14	66.6	1-5/16	1-5/16
FS2700-LN-12-12	1-3/16-12	1-3/16-12	69.1	1-1/2	1-1/2
FS2700-LN-16-16	1-7/16-12	1-7/16-12	70.1	1-3/4	1-3/4
FS2700-LN-20-20	1-11/16-12	1-11/16-12	70.1	2	2
FS2700-LN-24-24	2-12	2-12	70.1	2-3/8	2-3/8

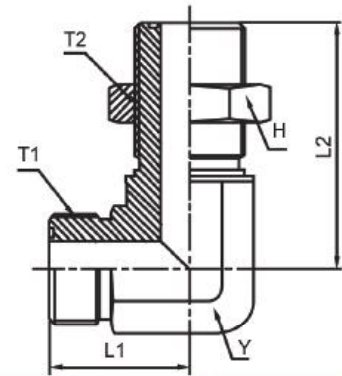
FITTINGS & ADAPTERS

FS2701-LN SERIES (90 ELBOW)

(1) MALE ORFS

(2) BULKHEAD ORFS

SAE# 520701



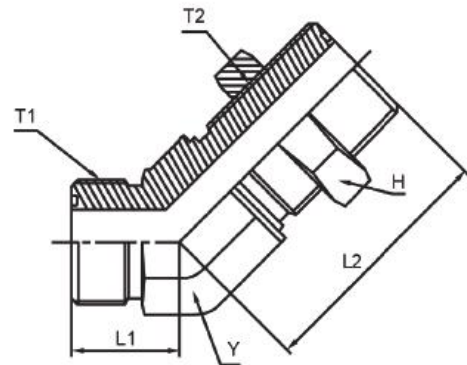
PART NUMBER	T1(UNF/UN-2A)	T2(UNF/UN-2A)	L1	L2	Y(INCH)	H(INCH)
FS2701-LN-04-04	9/16-18	9/16-18	22.6	47	9/16	13/16
FS2701-LN-06-06	11/16-16	11/16-16	26	52	3/4	1
FS2701-LN-06-08	11/16-16	13/16-16	27.4	55.4	3/4	1-1/8
FS2701-LN-08-06	13/16-16	11/16-16	29.0	53	3/4	1
FS2701-LN-08-08	13/16-16	13/16-16	29.0	55.4	3/4	1-1/8
FS2701-LN-08-10	13/16-16	1-14	32	63	1-1/16	1-5/16
FS2701-LN-10-10	1-14	1-14	34.5	63	1-1/16	1-5/16
FS2701-LN-12-12	1-3/16-12	1-3/16-12	38.5	67.2	1-3/16	1-1/2
FS2701-LN-16-16	1-7/16-12	1-7/16-12	42.4	71.1	1-7/16	1-3/4
FS2701-LN-20-20	1-11/16-12	1-11/16-12	45.5	75.4	1-5/8	2
FS2701-LN-24-24	2-12	2-12	49.5	79.5	1-7/8	2-3/8
FS2701-LN-L-08-08	13/16-16	13/16-16	29.0	93.5	3/4	1-1/8

FS2702-LN SERIES (45 ELBOW)

(1) MALE ORFS

(2) BULKHEAD ORFS

SAE# 520801

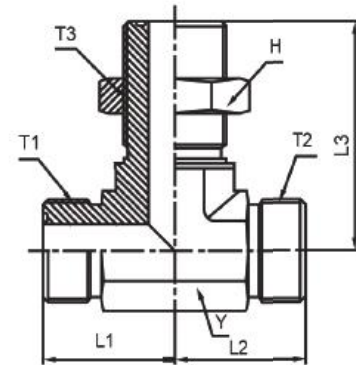


PART NUMBER	T1(UNF/UN-2A)	T2(UNF/UN-2A)	L1	L2	Y(INCH)	H(INCH)
FS2702-LN-04-04	9/16-18	9/16-18	16	43.9	9/16	13/16
FS2702-LN-06-06	11/16-16	11/16-16	18.8	48.5	3/4	1
FS2702-LN-08-08	13/16-16	13/16-16	20.3	51.1	3/4	1-1/8
FS270-LN2-10-10	1-14	1-14	23.4	56.6	1-1/16	1-5/16
FS270-LN2-12-12	1-3/16-12	1-3/16-12	25.9	60.7	1-3/16	1-1/2
FS270-LN2-16-16	1-7/16-12	1-7/16-12	30	65.3	1-7/16	1-3/4
FS2702-LN-20-20	1-11/16-12	1-11/16-12	32	67.1	1-5/8	2
FS2702-LN-24-24	2-12	2-12	36.8	67.1	1-7/8	2-3/8

FITTINGS & ADAPTERS

FS2703-LN SERIES (TEE)
 (1)&(2) MALE ORFS
 (3) BULKHEAD ORFS

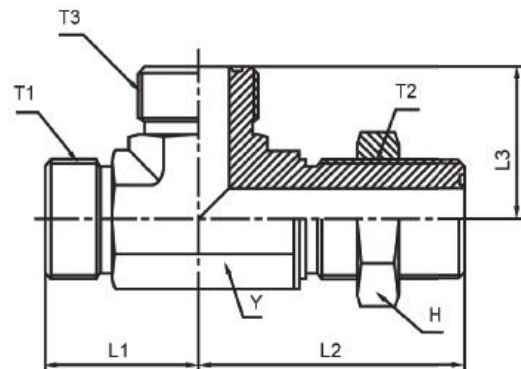
SAE# 520959



PART NUMBER	T1 T2(UNF/UN-2A)	T3(UNF/UN-2A)	L1(L2)	L3	Y(INCH)	H(INCH)
FS2703-LN-04-04-04	9/16-18	9/16-18	22.6	47	9/16	13/16
FS2703-LN-06-06-06	11/16-16	11/16-16	26	52	3/4	1
FS2703-LN-08-08-08	13/16-16	13/16-16	29.0	55.4	3/4	1-1/8
FS2703-LN-10-10-10	1-14	1-14	34.5	63	1-1/16	1-5/16
FS2703-LN-12-12-12	1-3/16-12	1-3/16-12	38.5	67.2	1-3/16	1-1/2
FS2703-LN-16-16-16	1-7/16-12	1-7/16-12	42.4	71.1	1-7/16	1-3/4
FS2703-LN-20-20-20	1-11/16-12	1-11/16-12	45.5	75.4	1-5/8	2
FS2703-LN-24-24-24	2-12	2-12	49.5	79.5	1-7/8	2-3/8

FS2704-LN SERIES (TEE)
 (1)&(3) MALE ORFS
 (2) BULKHEAD ORFS

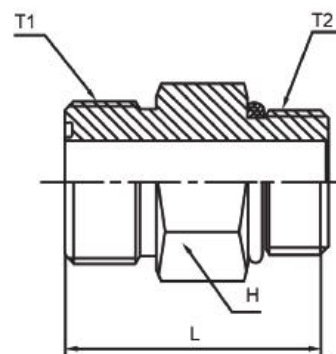
SAE# 520958



PART NUMBER	T1 T3(UNF/UN-2A)	T2(UNF/UN-2A)	L1(L3)	L2	Y(INCH)	H(INCH)
FS2704-LN-04-04-04	9/16-18	9/16-18	22.6	47	9/16	13/16
FS2704-LN-06-06-06	11/16-16	11/16-16	26	52	3/4	1
FS2704-LN-08-08-08	13/16-16	13/16-16	29.0	55.4	3/4	1-1/8
FS2704-LN-10-10-10	1-14	1-14	34.5	63	1-1/16	1-5/16
FS2704-LN-12-12-12	1-3/16-12	1-3/16-12	38.5	67.2	1-3/16	1-1/2
FS2704-LN-16-16-16	1-7/16-12	1-7/16-12	42.4	71.1	1-7/16	1-3/4
FS2704-LN-20-20-20	1-11/16-12	1-11/16-12	45.5	75.4	1-5/8	2
FS2704-LN-24-24-24	2-12	2-12	49.5	79.5	1-7/8	2-3/8

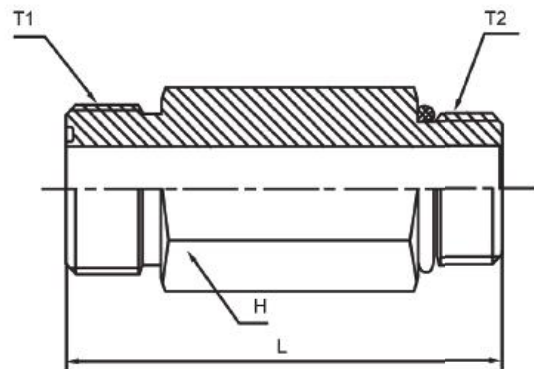
FITTINGS & ADAPTERS

FS6400 SERIES
 (1) MALE ORFS
 (2) MALE O-RING
 SAE# 520120



PART NUMBER	T1(UNF/UN-2A)	T2(UNF/UN-2A)	L	H(INCH)
FS6400-04-04-O	9/16-18	7/16-20	28.8	5/8
FS6400-04-05-O	9/16-18	1/2-20	28.7	5/8
FS6400-04-06-O	9/16-18	9/16-18	30.5	3/4
FS6400-04-08-O	9/16-18	3/4-16	33.7	7/8
FS6400-06-04-O	11/16-16	7/16-20	34.1	3/4
FS6400-06-05-O	11/16-16	1/2-20	30.8	3/4
FS6400-06-06-O	11/16-16	9/16-18	31.8	3/4
FS6400-06-08-O	11/16-16	3/4-16	35.1	7/8
FS6400-06-10-O	11/16-16	7/8-14	38.8	1
FS6400-06-12-O	11/16-16	1-1/16-12	42.8	1-1/4
FS6400-08-04-O	13/16-16	7/16-20	36.4	7/8
FS6400-08-06-O	13/16-16	9/16-18	37.4	7/8
FS6400-08-08-O	13/16-16	3/4-16	36.6	7/8
FS6400-08-10-O	13/16-16	7/8-14	40.5	1
FS6400-08-12-O	13/16-16	1-1/16-12	44.5	1-1/4
FS6400-08-16-O	13/16-16	1-5/16-12	45.6	1-1/2
FS6400-10-08-O	1-14	3/4-16	45.2	1-1/16
FS6400-10-10-O	1-14	7/8-14	43.1	1-1/16
FS6400-10-12-O	1-14	1-1/16-12	47.2	1-1/4
FS6400-12-08-O	1-3/16-12	3/4-16	48.5	1-1/4
FS6400-12-10-O	1-3/16-12	7/8-14	50.6	1-1/4
FS6400-12-12-O	1-3/16-12	1-1/16-12	48.7	1-1/4
FS6400-12-16-O	1-3/16-12	1-5/16-12	49.7	1-1/2
FS6400-16-12-O	1-7/16-12	1-1/16-12	54.3	1-1/2
FS6400-16-16-O	1-7/16-12	1-5/16-12	50.3	1-1/2
FS6400-16-20-O	1-7/16-12	1-5/8-12	52.3	1-7/8
FS6400-20-16-O	1-11/16-12	1-5/16-12	57.9	1-3/4
FS6400-20-20-O	1-11/16-12	1-5/8-12	52.3	1-7/8
FS6400-20-24-O	1-11/16-12	1-7/8-12	54.0	2-1/8
FS6400-24-20-O	2-12	1-5/8-12	54.0	2-1/8
FS6400-24-24-O	2-12	1-7/8-12	54.0	2-1/8

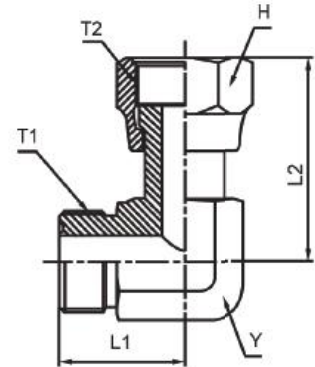
FS6400-L SERIES
 (1) MALE ORFS
 (2) MALE O-RING
 SAE#



PART NUMBER	T1(UNF/UN-2A)	T2(UNF/UN-2A)	L	H(INCH)
FS6400-L-04-04-O	9/16-18	7/16-20	52.7	5/8
FS6400-L-06-06-O	11/16-16	9/16-18	57.7	3/4
FS6400-L-08-08-O	13/16-16	3/4-16	67.9	7/8
FS6400-L-10-10-O	1-14	7/8-14	79.5	1-1/16
FS6400-L-12-12-O	1-3/16-12	1-1/16-12	95.5	1-1/4
FS6400-L-16-16-O	1-7/16-12	1-5/16-12	105.1	1-1/2
FS6400-L-20-20-O	1-11/16-12	1-5/8-12	120.85	1-7/8

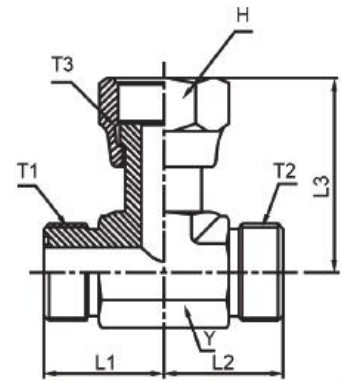
FITTINGS & ADAPTERS

FS6500 SERIES (90 ELBOW)
 (1) MALE ORFS
 (2) ORFS FEMALE SWIVEL
 SAE# 520221



PART NUMBER	T1(UNF/UN-2A)	T2(UNF/UN-2B)	L1	L2	Y(INCH)	H(INCH)
FS6500-04-04	9/16-18	9/16-18	21.5	34.6	9/16	11/16
FS6500-06-06	11/16-16	11/16-16	24.9	38.7	3/4	13/16
FS6500-08-08	13/16-16	13/16-16	27.9	49.0	3/4	15/16
FS6500-10-10	1-14	1-14	33.3	54.3	1-1/16	1-1/8
FS6500-12-12	1-3/16-12	1-3/16-12	37.3	60.8	1-3/16	1-3/8
FS6500-16-16	1-7/16-12	1-7/16-12	41.7	68.2	1-7/16	1-5/8
FS6500-20-20	1-11/16-12	1-11/16-12	44.7	72.8	1-5/8	1-7/8
FS6500-24-24	2-12	2-12	48.8	76.1	1-7/8	2-1/4

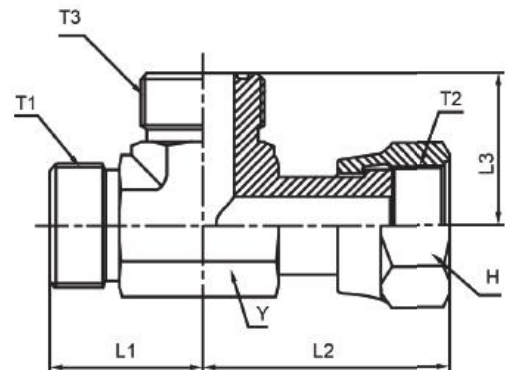
FS6600 SERIES (TEE)
 (1)&(2) MALE ORFS
 (3) ORFS FEMALE SWIVEL
 SAE# 520433



PART NUMBER	T1 T2(UNF/UN-2A)	T3(UNF/UN-2B)	L1 (L2)	L3	Y(INCH)	H(INCH)
FS6600-04-04-04	9/16-18	9/16-18	21.6	34.6	9/16	11/16
FS6600-06-06-06	11/16-16	11/16-16	25.0	38.7	3/4	13/16
FS6600-08-08-08	13/16-16	13/16-16	29.0	49.0	3/4	15/16
FS6600-10-10-10	1-14	1-14	33.3	54.3	1-1/16	1-1/8
FS6600-12-12-12	1-3/16-12	1-3/16-12	37.3	60.8	1-3/16	1-3/8
FS6600-16-16-16	1-7/16-12	1-7/16-12	41.7	68.2	1-7/16	1-5/8
FS6600-20-20-20	1-11/16-12	1-11/16-12	44.7	72.8	1-5/8	1-7/8
FS6600-24-24-24	2-12	2-12	48.8	76.1	1-7/8	2-1/4

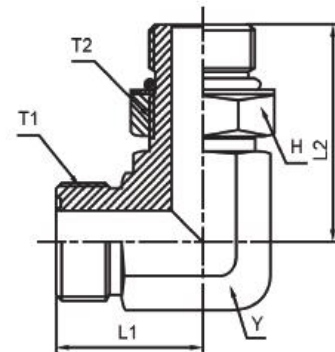
FITTINGS & ADAPTERS

FS6602 SERIES(TEE)
 (1)&(3) MALE ORFS
 (2) ORFS FEMALE SWIVEL
 SAE# 520432



PART NUMBER	T1 T3(UNF/UN-2A)	T2(UNF/UN-2B)	L1(L3)	L2	Y(INCH)	H(INCH)
FS6602-04-04-04	9/16-18	9/16-18	21.6	34.6	9/16	11/16
FS6602-06-06-06	11/16-16	11/16-16	24.9	38.7	3/4	13/16
FS6602-08-08-08	13/16-16	13/16-16	27.9	49.0	3/4	15/16
FS6602-10-10-10	1-14	1-14	33.3	54.3	1-1/16	1-1/8
FS6602-12-12-12	1-3/16-12	1-3/16-12	37.3	60.8	1-3/16	1-3/8
FS6602-16-16-16	1-7/16-12	1-7/16-12	41.7	68.2	1-7/16	1-5/8
FS6602-20-20-20	1-11/16-12	1-11/16-12	44.7	72.8	1-5/8	1-7/8
FS6602-24-24-24	2-12	2-12	48.8	76.1	1-7/8	2-1/4

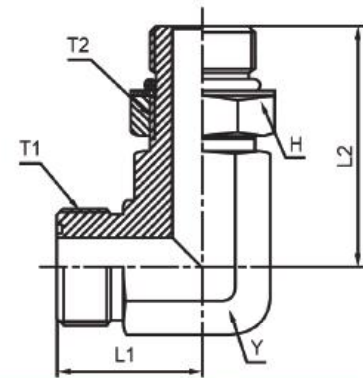
FS6801 SERIES (90 ELBOW)
 (1) MALE ORFS
 (2) ADJUSTABLE O-RING
 SAE# 520220



PART NUMBER	T1(UNF/UN-2A)	T2(UNF/UN-2A)	L1	L2	Y(INCH)	H(INCH)
FS6801-04-04-NWO	9/16-18	7/16-20	21.6	32.8	9/16	5/8
FS6801-04-06-NWO	9/16-18	9/16-18	23.4	36.8	3/4	3/4
FS6801-04-08-NWO	9/16-18	3/4-16	24.6	40.6	3/4	15/16
FS6801-06-04-NWO	11/16-16	7/16-20	25.0	34.8	3/4	5/8
FS6801-06-06-NWO	11/16-16	9/16-18	24.9	36.8	3/4	3/4
FS6801-06-08-NWO	11/16-16	3/4-16	26.4	40.6	3/4	15/16
FS6801-06-10-NWO	11/16-16	7/8-14	29.2	50.0	1-1/16	1-1/16
FS6801-06-12-NWO	11/16-16	1-1/16-12	31.8	55.1	1-3/16	1-3/8
FS6801-06-16-NWO	11/16-16	1-5/16-12	35.6	59.7	1-7/16	1-5/8
FS6801-08-06-NWO	13/16-16	9/16-18	28.0	36.6	3/4	3/4
FS6801-08-08-NWO	13/16-16	3/4-16	28.0	40.6	3/4	15/16
FS6801-08-10-NWO	13/16-16	7/8-14	30.7	50.0	1-1/16	1-1/16
FS6801-08-12-NWO	13/16-16	1-1/16-12	33.5	55.1	1-3/16	1-3/8
FS6801-10-08-NWO	1-14	3/4-16	33.3	45.7	1-1/16	15/16
FS6801-10-10-NWO	1-14	7/8-14	33.3	50.0	1-1/16	1-1/16
FS6801-10-12-NWO	1-14	1-1/16-12	35.8	55.1	1-3/16	1-3/8
FS6801-12-08-NWO	1-3/16-12	3/4-16	37.3	46.7	1-3/16	15/16
FS6801-12-10-NWO	1-3/16-12	7/8-14	37.3	51.1	1-3/16	1-1/16
FS6801-12-12-NWO	1-3/16-12	1-1/16-12	37.3	55.1	1-3/16	1-3/8
FS6801-12-16-NWO	1-3/16-12	1-5/16-12	41.2	59.7	1-7/16	1-5/8
FS6801-16-12-NWO	1-7/16-12	1-1/16-12	41.7	58.9	1-7/16	1-3/8
FS6801-16-14-NWO	1-7/16-12	1-3/16-12	41.7	58.9	1-7/16	1-1/2
FS6801-16-16-NWO	1-7/16-12	1-5/16-12	41.7	59.7	1-7/16	1-5/8
FS6801-16-20-NWO	1-7/16-12	1-5/8-12	44.7	62.2	1-5/8	1-7/8
FS6801-20-16-NWO	1-11/16-12	1-5/16-12	44.7	62.2	1-5/8	1-5/8
FS6801-20-20-NWO	1-11/16-12	1-5/8-12	44.7	62.2	1-5/8	1-7/8
FS6801-20-24-NWO	1-11/16-12	1-7/8-12	48.8	65.8	1-7/8	2-1/8
FS6801-24-20-NWO	2-12	1-5/8-12	48.8	65.8	1-7/8	1-7/8
FS6801-24-24-NWO	2-12	1-7/8-12	48.8	65.8	1-7/8	2-1/8

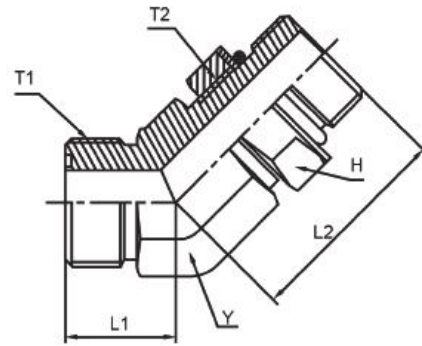
FITTINGS & ADAPTERS

FS6801-L SERIES(90 ELBOW)
 (1) MALE ORFS
 (2) ADJUSTABLE O-RING
 SAE#



PART NUMBER	T1(UNF/UN-2A)	T2(UNF/UN-2A)	L1	L2	Y(INCH)	H(INCH)
FS6801-L-04-04-NWO	9/16-18	7/16-20	21.6	56.6	9/16	5/8
FS6801-L-06-06-NWO	11/16-16	9/16-18	25.0	66.3	3/4	3/4
FS6801-L-08-08-NWO	13/16-16	3/4-16	27.9	74.9	3/4	15/16
FS6801-L-10-10-NWO	1-14	7/8-14	33.3	89.2	1-1/16	1-1/16
FS6801-L-12-12-NWO	1-3/16-12	1-1/16-12	37.3	100.84	1-3/16	1-3/8
FS6801-L-16-16-NWO	1-7/16-12	1-5/16-12	41.7	114.6	1-5/16	1-5/8

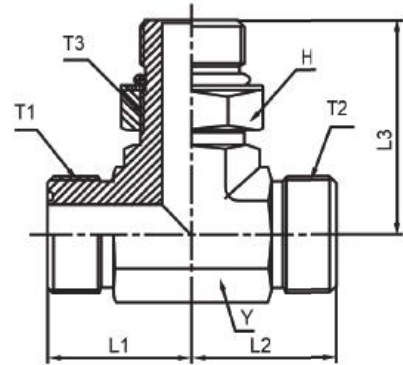
FS6802 SERIES (45 ELBOW)
 (1) MALE ORFS
 (2) ADJUSTABLE O-RING
 SAE# 520320



PART NUMBER	T1(UNF/UN-2A)	T2(UNF/UN-2A)	L1	L2	Y(INCH)	H(INCH)
FS6802-04-03-NWO	9/16-18	3/8-24	16.0	27.4	9/16	9/16
FS6802-04-04-NWO	9/16-18	7/16-20	16.0	30.0	9/16	5/8
FS6802-04-06-NWO	9/16-18	9/16-18	17.3	33.0	3/4	3/4
FS6802-06-04-NWO	11/16-16	7/16-20	18.80	31.0	3/4	5/8
FS6802-06-06-NWO	11/16-16	9/16-18	18.8	33.0	3/4	3/4
FS6802-06-08-NWO	11/16-16	3/4-15	18.8	36.3	3/4	15/16
FS6802-08-06-NWO	13/16-16	9/16-18	20.3	32.3	3/4	3/4
FS6802-08-08-NWO	13/16-16	3/4-15	20.3	36.3	3/4	15/16
FS6802-08-10-NWO	13/16-16	7/8-14	20.8	44.7	1-1/16	1-1/16
FS6802-10-08-NWO	1-14	3/4-15	23.4	40.4	1-1/16	15/16
FS6802-10-10-NWO	1-14	7/8-14	23.4	44.7	1-1/16	1-1/16
FS6802-10-12-NWO	1-14	1-1/13-12	24.4	50.0	1-3/16	1-3/8
FS6802-12-10-NWO	1-3/16-12	7/8-14	25.9	46.0	1-3/16	1-1/16
FS6802-12-12-NWO	1-3/16-12	1-1/13-12	25.9	50.0	1-3/16	1-3/8
FS6802-12-16-NWO	1-3/16-12	1-5/13-12	29.5	52.3	1-7/16	1-5/8
FS6802-16-12-NWO	1-7/16-12	1-1/13-12	30.0	51.8	1-7/16	1-3/8
FS6802-16-16-NWO	1-7/16-12	1-5/13-12	30.0	52.3	1-7/16	1-5/8
FS6802-16-20-NWO	1-7/16-12	1-5/8-12	32.0	53.6	1-5/8	1-7/8
FS6802-20-20-NWO	1-11/16-12	1-5/8-12	32.0	53.6	1-5/8	1-7/8
FS6802-24-24-NWO	2-12	1-7/8-12	36.8	53.6	1-7/8	2-1/8

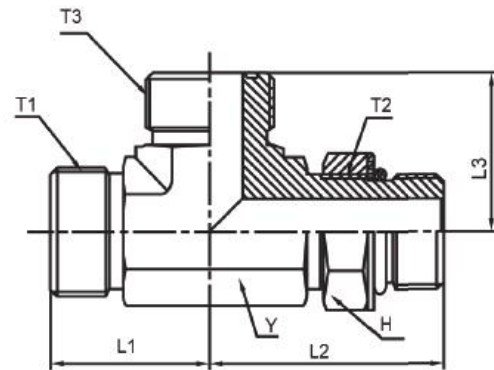
FITTINGS & ADAPTERS

FS6803 SERIES(TEE)
 (1)&(2) MALE ORFS
 (3) ADJUSTABLE O-RING
 SAE# 520429



PART NUMBER	T1 T2(UNF/UN-2A)	T3(UNF/UN-2A)	L1(L2)	L3	Y(INCH)	H(INCH)
FS6803-04-04-04-NWO	9/16-18	7/16-20	21.6	32.8	9/16	5/8
FS6803-06-06-06-NWO	11/16-16	9/16-18	24.9	36.8	3/4	3/4
FS6803-08-08-08-NWO	13/16-16	3/4-16	28.0	40.6	3/4	15/16
FS6803-10-10-10-NWO	1-14	7/8-14	33.3	50.0	1-1/16	1-1/16
FS6803-12-12-12-NWO	1-3/16-12	1-1/16-12	37.3	55.1	1-3/16	1-3/8
FS6803-16-16-16-NWO	1-7/16-12	1-5/16-12	41.7	59.7	1-7/16	1-5/8
FS6803-20-20-20-NWO	1-11/16-12	1-5/8-12	48.8	65.8	1-5/8	1-7/8

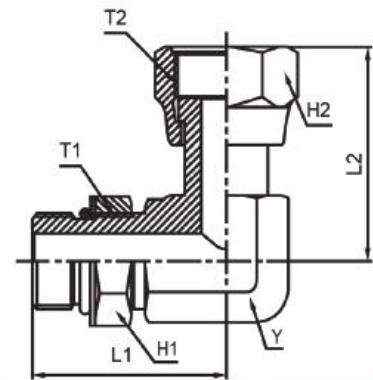
FS6804 SERIES (TEE)
 (1)&(3) MALE ORFS
 (2) ADJUSTABLE O-RING
 SAE# 520428



PART NUMBER	T1 T3(UNF/UNS/UN-2A)	T2(UNF/UN-2A)	L1 (L3)	L2	Y(INCH)	H(INCH)
FS6804-04-04-04-NWO	9/16-18	7/16-20	21.6	32.8	9/16	5/8
FS6804-06-06-06-NWO	11/16-16	9/16-18	24.9	36.8	3/4	3/4
FS6804-08-08-08-NWO	13/16-16	3/4-16	27.9	40.6	3/4	15/16
FS6804-10-10-10-NWO	1-14	7/8-14	33.3	50.0	1-1/16	1-1/16
FS6804-12-12-12-NWO	1-3/16-12	1-1/16-12	37.3	55.1	1-3/16	1-3/8
FS6804-16-16-16-NWO	1-7/16-12	1-5/16-12	41.7	59.7	1-7/16	1-5/8
FS6804-24-24-24-NWO	2-12	1-7/8-12	48.8	65.8	1-7/8	2-1/8

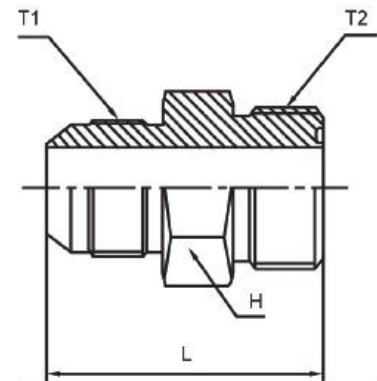
FITTINGS & ADAPTERS

FS6809 SERIES(90 ELBOW)
 (1) ADJUSTABLE O-RING
 (2) ORFS FEMALE SWIVEL
 SAE# 520281



PART NUMBER	T1(UNF/UN-2A)	T2(UNF/UN-2B)	L1	L2	Y(INCH)	H1(INCH)	H2(INCH)
FS6809-04-04-NWO	7/16-20	9/16-18	32.8	34.6	9/16	5/8	11/16
FS6809-06-06-NWO	9/16-18	11/16-16	36.8	38.6	3/4	3/4	13/16
FS6809-08-08-NWO	3/4-16	13/16-16	40.6	49.2	3/4	15/16	15/16
FS6809-10-10-NWO	7/8-14	1-14	50.0	54.3	1-1/16	1-1/16	1-1/8
FS6809-12-12-NWO	1-1/16-12	1-3/16-12	55.1	60.7	1-3/16	1-3/8	1-3/8
FS6809-16-16-NWO	1-5/16-12	1-7/16-12	59.7	68.2	1-7/16	1-5/8	1-5/8

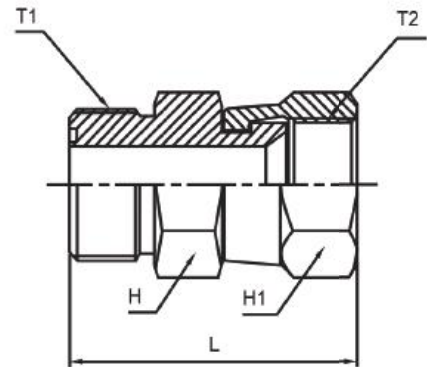
FS-MJIC2403 SERIES(STRAIGHT UNION)
 (1) 37 MALE TUBE
 (2) MALE ORFS
 SAE#



PART NUMBER	T1(UNF/UN-2A)	T2(UNF/UN-2A)	L	H(INCH)
FS-MJIC2403-04-04	9/16-18	7/16-20	31.7	5/8
FS-MJIC2403-06-06	11/16-16	9/16-18	34.0	3/4
FS-MJIC2403-08-08	13/16-16	3/4-16	39.4	7/8
FS-MJIC2403-10-10	1-14	7/8-14	46.5	1-1/16
FS-MJIC2403-12-12	1-3/16-12	1-1/16-12	52.1	1-1/4
FS-MJIC2403-16-16	1-7/16-12	1-5/16-12	54.9	1-1/2
FS-MJIC2403-20-20	1-11/16-12	1-5/8-12	58.1	1-3/4
FS-MJIC2403-24-24	2-12	1-7/8-12	63.1	2-1/8

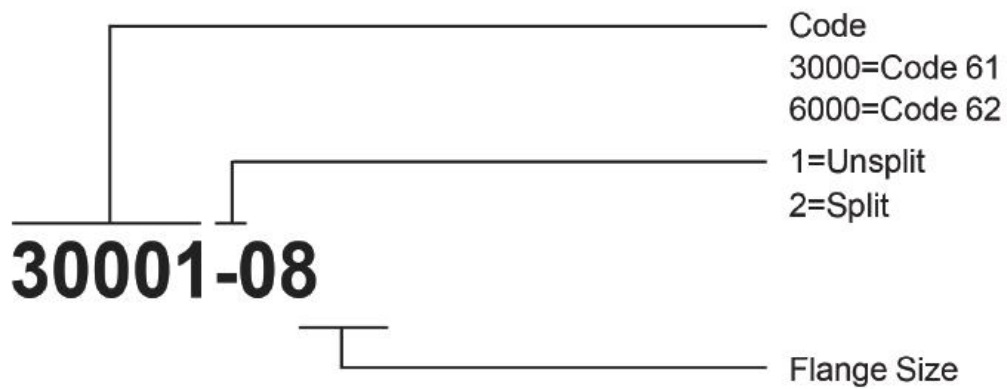
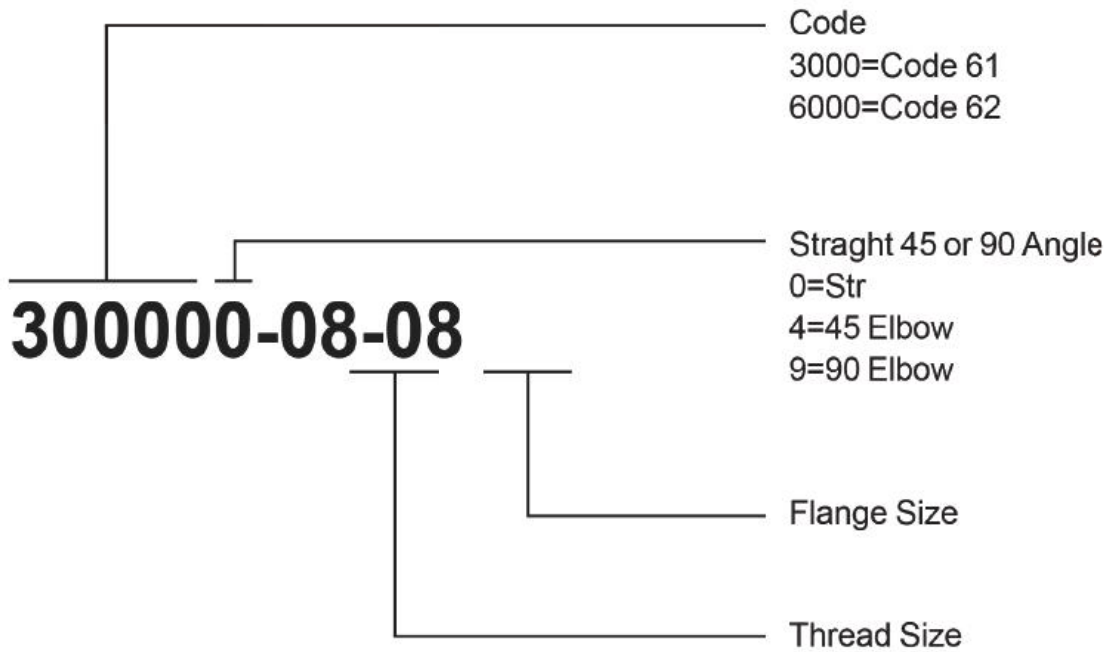
FITTINGS & ADAPTERS

FS-FJIC6504 SERIES (STRAIGHT UNION)
 (1) ORFS FEMALE SWIVEL
 (2) 37 FEMALE SWIVEL
 SAE#



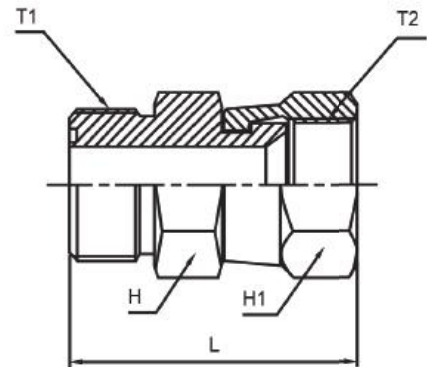
PART NUMBER	T1(UNF/UN-2A)	T2(UNF/UN-2B)	L	H(INCH)	H1(INCH)
FS-FJIC6504-04-04	9/16-18	7/16-20	34.5	5/8	9/16
FS-FJIC6504-06-06	11/16-16	9/16-18	39.3	3/4	11/16
FS-FJIC6504-08-08	13/16-16	3/4-16	44.5	7/8	7/8
FS-FJIC6504-10-10	1-14	7/8-14	51.8	1-1/16	1
FS-FJIC6504-12-12	1-3/16-12	1-1/16-12	57.8	1-1/4	1-1/4
FS-FJIC6504-16-16	1-7/16-12	1-5/16-12	61.7	1-1/2	1-1/2
FS-FJIC6504-20-20	1-11/16-12	1-5/8-12	68.0	1-3/4	2
FS-FJIC6504-24-24	2-12	1-7/8-12	78.1	2-1/8	2-1/4

FLANGE WDEX



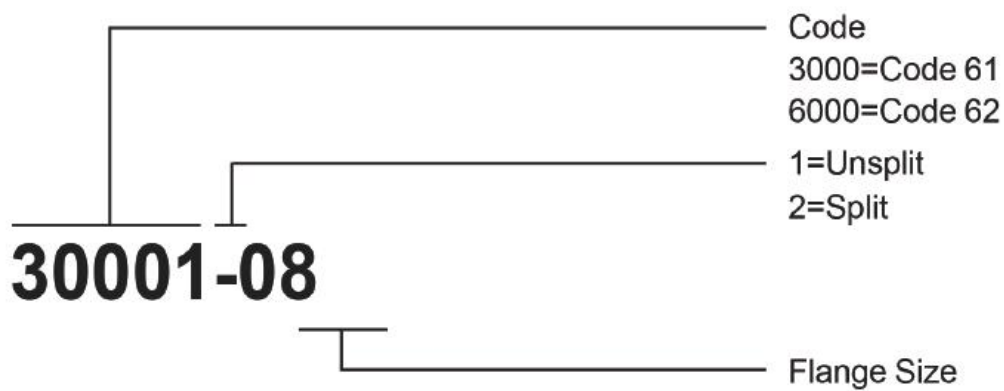
FLANGE

FS-FJIC6504 SERIES (STRAIGHT UNION)
 (1) ORFS FEMALE SWIVEL
 (2) 37 FEMALE SWIVEL
 SAE#



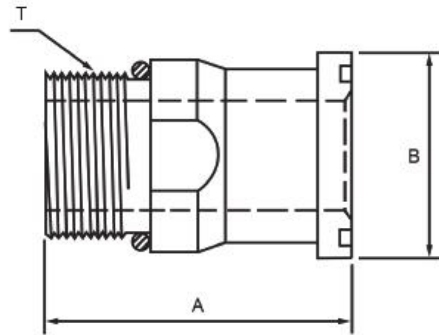
PART NUMBER	T1(UNF/UN-2A)	T2(UNF/UN-2B)	L	H(INCH)	H1(INCH)
FS-FJIC6504-04-04	9/16-18	7/16-20	34.5	5/8	9/16
FS-FJIC6504-06-06	11/16-16	9/16-18	39.3	3/4	11/16
FS-FJIC6504-08-08	13/16-16	3/4-16	44.5	7/8	7/8
FS-FJIC6504-10-10	1-14	7/8-14	51.8	1-1/16	1
FS-FJIC6504-12-12	1-3/16-12	1-1/16-12	57.8	1-1/4	1-1/4
FS-FJIC6504-16-16	1-7/16-12	1-5/16-12	61.7	1-1/2	1-1/2
FS-FJIC6504-20-20	1-11/16-12	1-5/8-12	68.0	1-3/4	2
FS-FJIC6504-24-24	2-12	1-7/8-12	78.1	2-1/8	2-1/4

FLANGE WDEX



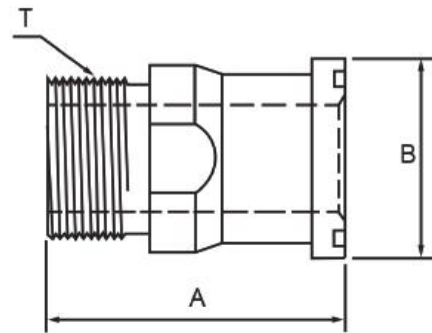
FLANGE

300001
600001



Part Number	TUBE O.D.	FLANGE SIZE	A	B	T
CODE 61					
300001-08-08	1/2	1/2	63.4	30.18	3/4-16
300001-12-12	3/4	3/4	66.4	38.1	1 1/16-12
300001-16-12	1	3/4	73.3	38.1	1 5/16-12
300001-12-16	3/4	1	69.7	44.45	1 1/16-12
300001-16-16	1	1	66.4	44.45	1 5/16-12
300001-20-16	1 1/4	1	79.6	44.45	1 5/8-12
300001-16-20	1	1 1/4	70.5	50.8	1 5/16-12
300001-20-20	1 1/4	1 1/4	79.6	50.8	1 5/8-12
300001-24-20	1 1/2	1 1/4	87.2	50.8	1 7/8-12
300001-20-24	1 1/4	1 1/2	83.9	60.45	1 5/8-12
300001-24-24	1 1/2	1 1/2	79.9	60.45	1 7/8-12
300001-32-24	2	1 1/2	92.2	60.45	2 1/2-12
300001-24-32	1 1/2	2	96.4	71.37	1 7/8-12
300001-32-32	2	2	92.3	71.37	2 1/2-12
CODE 62					
600001-08-08	1/2	1/2	63.5	31.75	3/4-16
600001-12-12	3/4	3/4	66.6	41.28	1 1/16-12
600001-16-12	1	3/4	73.2	41.28	1 5/16-12
600001-12-16	3/4	1	69.9	47.63	1 1/16-12
600001-16-16	1	1	66.6	47.63	1 5/16-12
600001-20-16	1 1/4	1	87.4	47.63	1 5/8-12
600001-16-20	1	1 1/4	79.3	53.98	1 5/16-12
600001-20-20	1 1/4	1 1/4	76.2	53.98	1 5/8-12
600001-24-20	1 1/2	1 1/4	87.4	53.98	1 7/8-12
600001-20-24	1 1/4	1 1/2	84.1	63.5	1 5/8-12
600001-24-24	1 1/2	1 1/2	81	63.5	1 7/8-12
600001-32-24	2	1 1/2	110.2	63.5	2 1/2-12
600001-24-32	1 1/2	2	99.1	79.38	1 7/8-12
600001-32-32	2	2	95.3	79.38	2 1/2-12

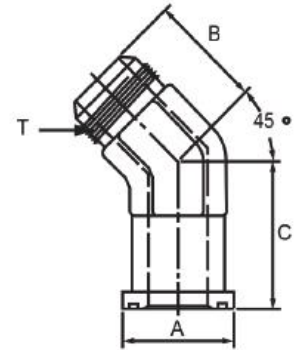
300002
600002



PART NUMBER	TUBE O.D.	FLANGE SIZE	A	B	T
CODE 61					
300002-08-08	1/2	1/2	62.2	30.18	13/16-16
300002-12-12	3/4	3/4	69.9	38.1	13/16-12
300002-16-12	1	3/4	69.9	38.1	17/16-12
300002-12-16	3/4	1	71.1	44.45	13/16-12
300002-16-16	1	1	71.1	44.45	17/16-12
300002-20-16	1 1/4	1	71.1	44.45	1 11/16-12
300002-16-20	1	1 1/4	71.1	50.8	17/16-12
300002-20-20	1 1/4	1 1/4	71.1	50.8	1 11/16-12
300002-24-20	1 1/2	1 1/4	81.3	50.8	2-12
300002-20-24	1 1/4	1 1/2	88.9	60.33	1 11/16-12
300002-24-24	1 1/2	1 1/2	88.9	60.33	2-12
300002-24-32	1 1/2	2	84.6	71.43	2-12
CODE 62					
600002-08-08	1/2	1/2	65.5	31.75	13/16-12
600002-12-12	3/4	3/4	69.9	41.28	13/16-12
600002-16-12	1	3/4	69.9	41.28	17/16-12
600002-12-16	3/4	1	71.1	47.63	13/16-12
600002-16-16	1	1	71.1	47.63	17/16-12
600002-20-16	1 1/4	1	81.3	47.63	1 11/16-12
600002-16-20	1	1 1/4	77.5	53.98	17/16-12
600002-20-20	1 1/4	1 1/4	77.5	53.98	1 11/16-12
600002-24-20	1 1/2	1 1/4	83.8	53.98	2-12
600002-20-24	1 1/4	1 1/2	88.9	63.5	1 11/16-12
600002-24-24	1 1/2	1 1/2	88.9	63.5	2-12
600002-24-32	1 1/2	2	91	79.38	2-12

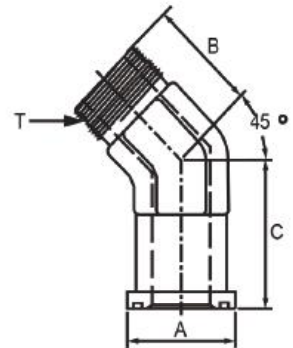
FLANGE

300040
600040



PART NUMBER	TUBE O.D.	FLANGE SIZE	A	B	C	T
CODE 61						
300040-12-12	3/4	3/4	38.1	38.5	40.1	1 1/16-12
300040-16-16	1	1	44.45	37.3	47	1 5/16-12
300040-20-20	1 1/4	1 1/4	50.8	40.4	51.8	1 5/8-12
300040-24-24	1 1/2	1 1/2	60.33	45.2	60.5	1 7/8-12
300040-32-32	2	2	71.43	56.4	76.2	2 1/2-12
CODE 62						
600040-12-12	3/4	3/4	41.28	32.5	40.1	1 1/16-12
600040-16-16	1	1	47.63	37.3	47	1 5/16-12
600040-20-20	1 1/4	1 1/4	53.98	40.4	51.8	1 5/8-12
600040-24-24	1 1/2	1 1/2	63.5	45.2	60.5	1 7/8-12
600040-32-32	2	2	79.38	56.4	76.2	2 1/2-12

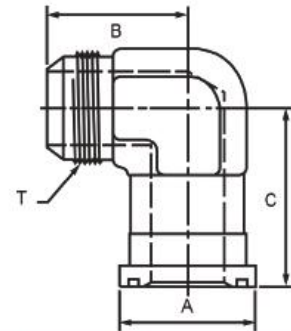
300042
600042



PART NUMBER	TUBE O.D.	FLANGE SIZE	A	B	C	T
CODE 61						
300042-12-12	3/4	3/4	38.1	32.5	40.1	1 3/16-12
300042-16-16	1	1	44.45	37.3	47	1 7/16-12
300042-20-20	1 1/4	1 1/4	50.8	40.4	51.8	1 11/16-12
300042-24-24	1 1/2	1 1/2	60.33	45.2	60.5	2-12
CODE 62						
600042-12-12	3/4	3/4	71.28	32.5	40.1	1 3/16-12
600042-16-16	1	1	47.63	37.3	47	1 7/16-12
600042-20-20	1 1/4	1 1/4	53.98	40.4	51.8	1 11/16-12
600042-24-24	1 1/2	1 1/2	63.5	45.2	60.5	2-12

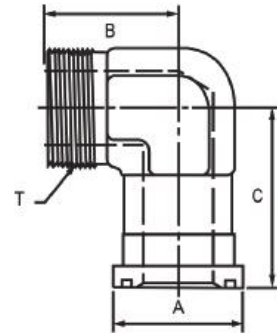
FLANGE

300090
600090



Part Number	TUBE O.D.	FLANGE SIZE	A	B	C	T
CODE 61						
300090-08-08	1/2	3/4	38.1	42.2	54.1	3/4-16
300090-12-12	3/4	3/4	38.1	42.2	54.1	1 1/16-12
300090-16-12	1	3/4	38.1	42.2	54.1	1 5/16-12
300090-12-16	3/4	1	44.45	46	60.2	1 1/16-12
300090-16-16	1	1	44.45	46	60.2	1 5/16-12
300090-20-16	1 1/4	1	44.45	46	60.2	1 5/8-12
300090-16-20	1	1 1/4	50.8	52.3	66.6	1 5/16-12
300090-20-20	1 1/4	1 1/4	50.8	52.3	66.6	1 5/8-12
300090-20-24	1 1/4	1 1/2	60.33	59.2	80	1 5/8-12
300090-24-24	1 1/2	1 1/2	60.33	59.2	80	1 7/8-12
300090-32-24	2	1 1/2	60.33	59.2	80	2 1/2-12
300090-24-32	1 1/2	2	71.43	77.7	108	1 7/8-12
300090-32-32	2	2	71.43	77.7	108	2 1/2-12
CODE 62						
600090-08-08	1/2	1/2	31.75	42.2	54.1	3/4-16
600090-08-12	1/2	3/4	41.28	42.2	54.1	3/4-16
600090-12-12	3/4	3/4	41.28	42.2	54.1	1 1/16-12
600090-16-12	1	3/4	41.28	42.2	54.1	1 5/16-12
600090-12-16	3/4	1	47.63	46	60.2	1 1/16-12
600090-16-16	1	1	47.63	46	60.2	1 5/16-12
600090-20-16	1 1/4	1	47.63	46	60.2	1 5/8-12
600090-16-20	1	1 1/4	53.98	52.3	70.1	1 5/16-12
600090-20-20	1 1/4	1 1/4	53.98	52.3	70.1	1 5/8-12
600090-24-20	1 1/2	1 1/4	53.98	55.6	70.1	1 7/8-12
600090-20-24	1 1/4	1 1/2	63.5	59.2	80	1 5/8-12
600090-24-24	1 1/2	1 1/2	63.5	59.2	80	1 7/8-12
600090-32-24	2	1 1/2	63.5	77.7	108	2 1/2-12
600090-24-32	1 1/2	2	77.7	77.7	108	1 7/8-12
600090-32-32	2	2	77.7	77.7	108	2 1/2-12

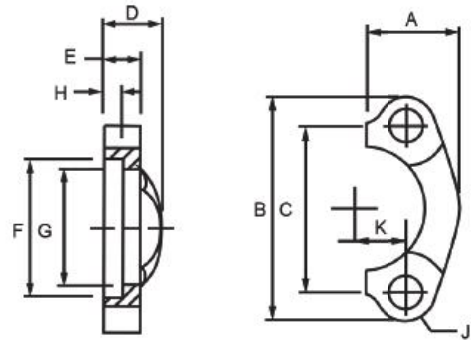
300092
600092



PART NUMBER	TUBE O.D.	FLANGE SIZE	A	B	C	T
CODE 61						
300092-12-12	3/4	3/4	38.1	54.1	42.2	1 3/16-12
300092-16-12	1	3/4	38.1	54.1	42.2	1 7/16-12
300092-12-16	3/4	1	44.45	60.2	46	1 3/16-12
300092-16-16	1	1	44.45	60.2	46	1 7/16-12
300092-20-16	1 1/4	1	44.45	60.2	46	1 11/16-12
300092-16-20	1	1 1/4	50.8	66.6	52.3	1 7/16-12
300092-20-20	1 1/4	1 1/4	50.8	66.6	52.3	1 11/16-12
300092-24-20	1 1/2	1 1/4	50.8	66.6	52.3	2-12
300092-20-24	1 1/4	1 1/2	60.3	80	59.2	1 11/16-12
300092-24-24	1 1/2	1 1/2	60.3	80	59.2	2-12
CODE 62						
600092-12-12	3/4	3/4	41.28	54.1	42.2	1 3/16-12
600092-16-12	1	3/4	41.28	54.1	42.2	1 7/16-12
600092-12-16	3/4	1	47.63	60.2	46	1 11/16-12
600092-16-16	1	1	47.63	60.2	46	1 7/16-12
600092-20-16	1 1/4	1	47.63	60.2	46	1 11/16-12
600092-16-20	1	1 1/4	53.98	66.6	52.3	1 7/16-12
600092-20-20	1 1/4	1 1/4	53.98	66.6	52.3	1 11/16-12
600092-24-20	1 1/2	1 1/4	53.98	66.6	52.3	2-12
600092-20-24	1 1/4	1 1/2	63.5	80	59.2	1 11/16-12
600092-24-24	1 1/2	1 1/2	63.5	80	59.2	2-12

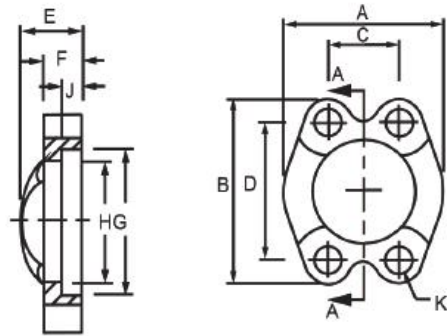
FLANGE

30002
60002
SPLIT FLANGE



PART NUMBER	FLANGE SIZE	A	B	C	D	E	F	G	H	J	K
CODE 61 SPLIT FLANGE											
30002-08	0.5	21.8	53.8	38.1	19.1	12.7	30.96	24.3	6.22	8.7	8.74
30002-12	0.75	24.9	65.0	47.63	22.4	14.2	38.89	32.1	6.22	10.3	11.11
30002-16	1.0	28.2	69.9	52.37	23.9	15.7	45.24	38.5	7.49	10.3	13.09
30002-20	1.25	35.3	79.2	58.72	22.4	14.2	51.59	43.7	7.49	11.9	15.09
30002-24	1.5	40.1	93.7	69.85	25.4	15.7	61.11	50.8	7.49	13.5	17.86
30002-32	2.0	47.2	101.7	77.77	26.2	15.7	72.24	62.7	9.02	13.5	21.44
30002-40	2.5	53.1	114.3	88.9	38.1	19.1	84.94	74.9	9.02	13.5	25.4
30002-48	3.0	64.3	134.9	106.38	41.1	22.4	102.39	90.9	9.02	16.7	30.96
30002-56	3.5	68.6	152.4	120.65	28.4	22.4	115.09	102.4	10.72	16.7	34.93
30002-64	4.0	74.9	162.1	130.18	35.1	25.4	127.79	115.1	10.72	16.7	38.89
CODE 62 SPLIT FLANGE											
60002-08	0.5	22.6	56.4	40.49	22.4	15.7	32.54	24.6	7.24	8.7	9.12
60002-12	0.75	29	71.4	50.80	28.4	19.1	42.06	32.5	8.26	10.3	11.91
60002-16	1.0	33.8	81.0	57.15	33.3	23.9	48.41	38.9	9.02	11.9	13.89
60002-20	1.25	37.6	95.3	66.68	38.1	26.9	54.76	44.7	9.78	13.5	15.88
60002-24	1.5	46.5	112.8	79.38	42.9	30.2	64.29	51.6	12.07	16.7	18.26
60002-32	2.0	55.9	133.4	96.82	52.3	36.6	80.16	67.6	12.07	19.8	22.23

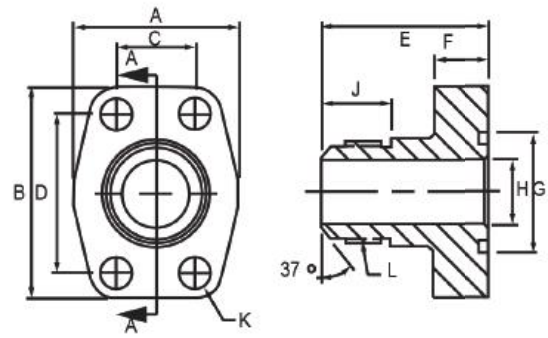
30001
60001
UNSPLIT FLANGE



PART NUMBER	FLANGE SIZE	A	B	C	D	E	F	G	H	J	K
CODE 61 UNSPLIT FLANGE											
30001-08	0.5	46	53.8	17.48	38.1	19.1	12.7	30.96	24.3	6.22	8.7
30001-12	0.75	52.3	65.0	22.23	47.63	22.4	14.2	39.89	32.1	6.22	10.3
30001-16	1.0	58.7	69.9	26.19	52.37	23.9	15.7	45.24	38.5	7.49	10.3
30001-20	1.25	73.2	79.2	30.18	58.72	22.4	14.2	51.59	43.7	7.49	11.9
30001-24	1.5	82.6	93.7	35.71	69.85	25.4	15.7	61.11	50.8	7.49	13.5
30001-32	2.0	96.8	101.6	42.88	77.77	26.2	15.7	72.24	62.7	9.02	13.5
30001-40	2.5	108.7	114.3	50.8	88.9	38.1	19.1	84.94	74.9	9.02	13.5
30001-48	3.0	131.1	134.9	61.93	106.38	41.1	22.4	102.39	90.9	9.02	16.7
30001-56	3.5	139.7	152.4	69.85	120.65	28.4	22.4	115.09	102.4	10.72	16.7
30001-64	4.0	152.4	162.1	77.77	130.18	35.1	25.4	127.79	115.1	10.72	16.7
CODE 62 UNSPLIT FLANGE											
60001-08	0.5	47.2	56.4	18.24	40.49	22.4	15.7	32.54	24.6	7.24	8.7
60001-12	0.75	60.5	71.4	23.83	50.80	28.4	19.1	42.06	32.5	8.26	10.3
60001-16	1.0	69.9	81.0	27.79	57.15	33.3	23.9	48.41	38.9	9.02	11.9
60001-20	1.25	77.7	95.3	31.75	66.68	38.1	26.9	54.76	44.5	9.78	13.5
60001-24	1.5	95.3	112.8	36.53	79.38	42.9	30.2	64.29	51.6	12.07	16.7
60001-32	2.0	114.3	133.4	44.45	96.82	52.3	36.6	80.16	67.6	12.07	19.8

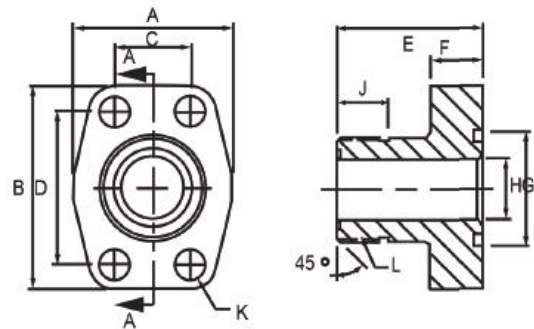
FLANGE

F300000
F600000

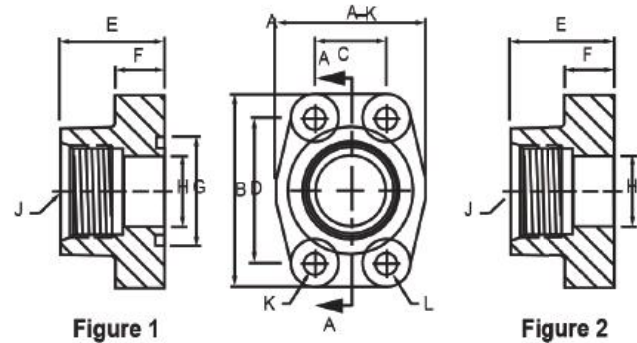


PART NO.	PAD SIZE	A	B	C	D	E	F	G	H	J	K	L UN/UNF-2A
CODE 61 MALE JIC												
F300000-08-08	0.5	46.0	54.1	17.48	38.1	44.5	16.00	25.40	10.01	16.7	8.7	3/4-16
F300000-12-12	0.75	50.0	65.0	22.23	47.63	53.8	18.03	31.75	15.52	21.9	10.5	11/16-12
F300000-16-16	1.0	55.1	69.9	26.19	52.37	55.4	18.03	39.62	21.44	23.1	10.5	15/16-12
F300000-20-20	1.25	68.1	79.2	30.18	58.72	62.0	21.08	44.45	27.38	24.3	11.9	15/8-12
F300000-24-24	1.5	78.0	93.0	35.71	69.85	71.4	24.89	53.72	33.48	27.5	13.5	17/8-12
CODE 62 MALE JIC												
F600000-08-08	0.5	46.0	56.1	18.26	40.49	44.5	16.00	25.40	10.01	16.7	8.7	3/4-16
F600000-12-12	0.75	55.1	71.1	23.80	50.80	58.7	21.08	31.75	15.52	21.9	10.5	1-1/16-12
F600000-16-16	1.0	65.0	81.0	27.76	57.15	66.5	24.89	39.62	21.44	23.1	12.5	1-5/16-12
F600000-20-20	1.25	78.0	95.3	31.75	66.68	71.4	26.92	44.45	27.38	24.3	13.5	1-5/8-12
F600000-24-24	1.5	94.0	112.0	36.50	79.38	82.6	29.97	53.72	33.48	27.5	16.7	1-7/8-12

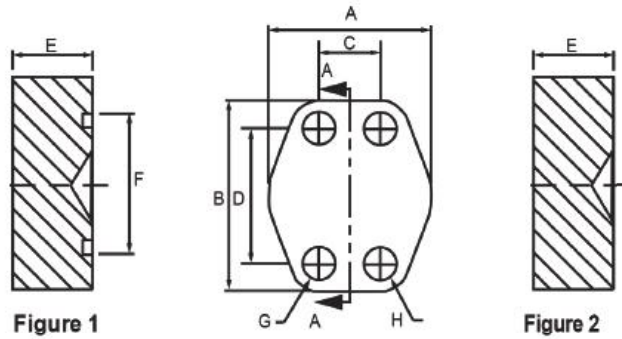
F300002
F600002



PART NO.	PAD SIZE	A	B	C	D	E	F	G	H	J	K	L UN/UNF-2A
CODE 61 NALE ORFS												
F300002-08-08	0.5	46.0	54.1	17.48	38.1	44.5	16.00	25.40	10.01	12.8	8.7	13/16-16
F300002-12-12	0.75	50.00	65.0	22.23	47.63	50.8	18.03	31.75	15.52	17.0	10.5	13/16-12
F300002-16-16	1.0	55.1	69.9	26.19	52.37	50.8	18.03	39.62	20.60	17.5	10.5	17/16-12
F300002-20-20	1.25	68.1	79.2	30.18	58.72	57.2	21.08	44.45	26.01	17.5	11.9	1 11/16-12
F300002-24-24	1.5	78.1	93.0	35.71	69.85	63.5	24.89	53.72	32.00	17.5	13.5	2-12
CODE 62 NALE ORFS												
F600002-08-08	0.5	46.0	56.1	18.26	40.49	44.5	16.00	25.40	10.01	12.8	8.7	13/16-16
F600002-12-12	0.75	55.1	71.1	23.80	50.80	57.2	21.08	31.75	15.52	17.0	10.5	1 3/16-12
F600002-16-16	1.0	65.0	81.0	27.76	57.15	63.5	24.89	39.62	20.60	17.5	12.5	1 7/16-12
F600002-20-20	1.25	78.0	95.3	31.75	66.68	66.5	26.92	44.45	26.01	17.5	13.5	1 11/16-12
F600002-24-24	1.5	94.0	112.0	36.50	79.38	73.2	29.97	53.72	32.00	17.5	16.7	2-12



PART NO. O-RING FIG.1	PART NO. FLAT FACE FIG.2	PORT SIZE	PAD SIZE	A	B	C	D	E	F	G	H	J UN/ UNF-2B	K	L UNC-2B
CODE 61 SAE STRAIGHT THREAD														
W46-08-08	W106-08-08	0.5	0.5	46.0	54.1	17.48	38.10	36.1	16.00	25.40	12.75	3/4-16	8.7	5/16-18
W46-12-12	W106-12-12	0.75	0.75	50.0	65.0	22.23	47.63	36.1	18.03	31.75	19.10	1 1/16-12	10.3	3/8-16
W46-16-16	W106-16-16	1.0	1.0	55.1	69.9	26.19	52.37	38.1	18.03	39.62	25.45	1 5/16-12	10.3	3/8-16
W46-20-20	W106-20-20	1.25	1.25	68.1	79.2	30.18	58.72	40.9	21.08	44.45	31.80	1 5/8-12	11.9	7/16-14
W46-24-24	W106-24-24	1.5	1.5	78.0	93	35.71	69.85	45.0	24.89	53.72	38.15	1 7/8-12	13.5	1/2-13
W46-32-32	W106-32-32	2.0	2.0	89.9	101.6	42.88	77.77	45.0	24.89	63.25	50.85	2 1/2-12	13.5	1/2-13
CODE 62 SAE STRAIGHT THREAD														
W48-08-08	W49-08-08	0.5	0.5	46.0	56.1	18.24	40.49	36.1	16.00	25.40	12.75	3/4-16	8.7	5/16-18
W48-12-12	W49-12-12	0.75	0.75	55.1	71.1	23.80	50.80	35.1	21.08	31.75	19.10	1 1/8-12	10.3	3/8-16
W48-16-16	W49-16-16	1.0	1.0	65.0	81.0	27.76	57.15	41.9	24.89	39.62	25.45	1 5/16-12	12.5	7/16-14
W48-20-20	W49-20-20	1.25	1.25	78.0	95.3	31.75	66.68	45.0	26.92	44.45	31.80	1 5/8-12	13.5	1/2-13
W48-24-24	W49-24-24	1.5	1.5	94.0	112.0	36.5	79.38	50.0	29.97	53.72	38.15	1 7/8-12	16.7	5/8-11
W48-32-32	W49-32-32	2.0	2.0	114.3	134.1	44.45	96.82	65.0	37.08	63.25	50.85	2 1/2-12	19.8	3/4-10



PART NO. O-RING FIG.1	PART NO. FLAT FACE FIG.1	PAD SIZE	A	B	C	D	E	F	G	L UNC-2B
CODE 61 BLANKING										
W36-08-08	W37-08-08	0.5	46.1	54.0	17.48	38.10	19.05	25.40	8.7	5/16-18
W36-12-12	W37-12-12	0.75	52.4	65.1	22.23	47.63	19.05	31.75	10.3	3/8-16
W36-16-16	W37-16-16	1.0	58.8	69.9	26.19	52.4	22.35	39.62	10.3	3/8-16
W36-20-20	W37-20-20	1.25	73.0	79.4	30.18	58.75	23.88	44.45	11.9	7/16-14
W36-24-24	W37-24-24	1.5	82.6	93.7	35.71	69.85	30.23	53.72	13.5	1/2-13
W36-32-32	W37-32-32	2.0	96.9	101.6	42.88	77.8	36.58	63.25	13.5	1/2-13
W36-40-40	W37-40-40	2.5	108.7	114.3	50.8	88.9	46.23	76.07	13.5	1/2-13
W36-48-48	W37-48-48	3.0	131.0	135.0	61.93	106.38	55.63	91.82	16.7	5/8-11
W36-56-56	W37-56-56	3.5	139.7	152.4	69.85	130.65	36.58	104.01	16.7	5/8-11
W36-64-64	W37-64-64	4.0	152.4	162.1	77.77	130.18	36.58	116.71	16.7	5/8-11
CODE 62 BLANKING										
W38-08-08	W39-08-08	0.5	49.3	58.4	18.24	40.49	31.75	25.40	8.7	5/16-18
W38-12-12	W39-12-12	0.75	63.5	74.9	23.80	50.80	31.75	31.75	10.3	3/8-16
W38-16-16	W39-16-16	1.0	69.9	81.0	27.76	57.15	38.10	39.62	12.5	7/16-14
W38-20-20	W39-20-20	1.25	77.7	95.3	31.75	66.68	36.32	44.45	13.5	1/2-13
W38-24-24	W39-24-24	1.5	95.3	112.8	36.50	79.38	46.23	53.72	16.7	5/8-11
W38-32-32	W39-32-32	2.0	114.3	133.4	44.45	96.82	46.23	63.25	19.8	3/4-10
W38-40-40	W39-40-40	2.5	149.1	174.5	58.72	123.83	49.02	76.07	23.0	7/8-9
W38-48-48	W39-48-48	3.0	177.8	215.9	71.42	152.40	68.33	91.82	30.2	1 1/8-7

FLANGE

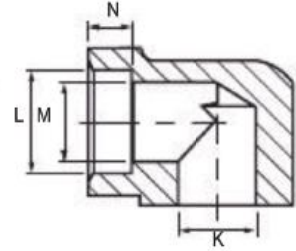
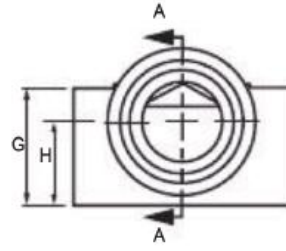
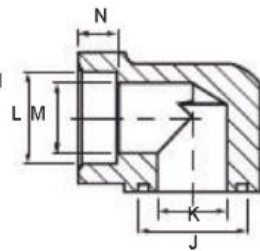
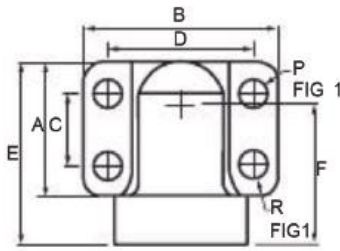
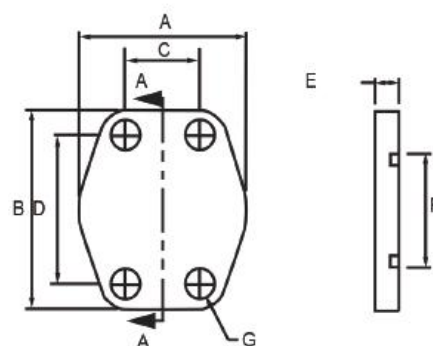


Figure 1

Figure 2

PART NO. O-RING FIG.1	PART NO. FLAT FACE FIG.2	PAD SIZE	A	B	C	D	E	F	G	H	J	K	L	M	N	P	L UNC-2B
CODE 62 ELBOW SOCKET WELD-PIPE																	
W186-12-12	W189-12-12	0.75	49.3	69.9	23.80	50.80	66.6	42.2	38.1	27.0	31.75	19.10	26.97	19.1	14.22	10.3	3/8-16
W186-16-16	W189-16-16	1.0	55.6	79.2	27.76	57.15	76.2	48.5	46.0	30.2	39.62	25.45	33.73	25.4	15.75	12.5	7/16-14
W186-20-20	W189-20-20	1.25	65.0	93.7	31.75	66.68	84.3	52.1	50.8	33.3	44.45	31.80	42.47	31.8	17.53	13.5	1/2-13
W186-24-24	W189-24-24	1.5	77.7	110.0	36.50	79.38	96.8	57.9	63.5	42.1	53.72	38.15	48.82	38.1	19.05	16.7	5/8-11
CODE 62 ELBOW SOCKET WELD-TUBE																	
W182-12-12	W187-12-12	0.75	49.3	69.9	23.80	50.80	66.5	42.2	38.1	27.0	31.75	19.10	19.10	15.9	14.22	10.3	3/8-16
W182-16-12	W187-16-12	0.75	49.3	69.9	23.80	50.80	66.5	42.2	38.1	27.0	31.75	19.10	25.45	19.1	15.75	10.3	3/8-16
W182-16-16	W187-16-16	1.0	55.6	79.2	27.76	57.15	76.2	48.5	46.0	30.2	39.62	25.45	25.45	22.2	15.75	12.5	7/16-14
W182-20-16	W187-20-16	1.0	55.6	79.2	27.76	57.15	76.2	48.5	46.0	30.2	39.62	25.45	31.80	25.4	17.53	12.5	7/16-14
W182-20-20	W187-20-20	1.25	65.0	93.7	31.75	66.68	84.3	52.1	50.8	33.3	44.45	31.80	31.80	29.6	17.53	13.5	1/2-13
W182-24-20	W187-24-20	1.25	65.0	93.7	31.75	66.68	84.3	52.1	50.8	33.3	44.45	31.80	38.15	31.8	19.05	13.5	1/2-13
W182-24-24	W187-24-24	1.5	77.7	110.0	36.50	79.38	96.8	57.9	63.5	42.1	53.72	38.15	38.15	34.9	19.05	16.7	5/8-11
W182-28-24	W187-28-24	1.5	77.7	110.0	36.50	79.38	96.8	57.9	63.5	42.1	53.72	38.15	44.45	38.1	19.05	16.7	5/8-11

SP
SPX



PART NO.	PAD SIZE	A	B	C	D	E	F	G
CODE 61 SHIPPING PLATE								
SP-08	0.5	46.0	53.8	17.48	38.10	8.38	25.40	8.7
SP-12	0.75	52.3	65.0	22.23	47.63	8.38	31.75	10.5
SP-16	1.0	58.7	69.9	26.19	52.40	8.38	39.62	10.5
SP-20	1.125	73.2	79.2	30.18	58.75	8.38	44.45	11.9
SP-24	1.5	82.6	93.7	35.71	69.85	8.38	53.72	13.5
SP-32	2.0	96.8	101.6	42.88	77.80	8.38	63.25	13.5
SP-40	2.5	108.7	114.3	50.80	88.90	8.38	76.07	13.5
SP-48	3.0	131.1	134.9	61.93	106.38	8.38	91.82	16.7
CODE 62 SHIPPING PLATE								
SPX-08	0.5	49.3	55.6	18.24	40.49	8.38	25.40	9.0
SPX-12	0.75	63.5	71.4	23.80	50.80	8.38	31.75	11.0
SPX-16	1.0	69.9	81.0	27.76	57.15	8.38	39.62	13.5
SPX-20	1.25	77.7	95.3	31.75	66.68	8.38	44.45	15.5
SPX24	1.5	95.3	112.8	36.50	79.38	8.38	53.72	17.5
SPX32	2.0	114.3	133.4	44.45	96.82	8.38	63.25	22.0

FLANGE

W25
W27

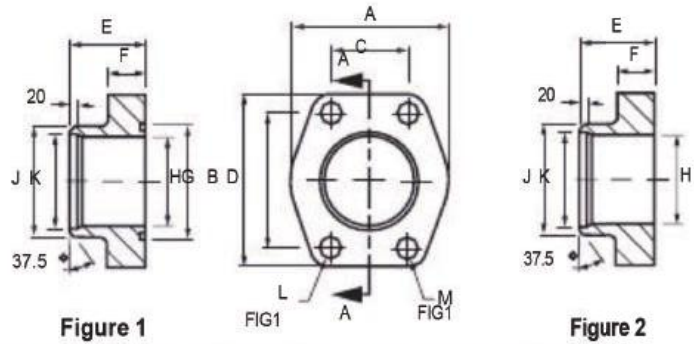


Figure 1

Figure 2

PART NO. O-RING FIG.1	PART NO. FLAT FACE FIG.2	PIPE SIZE	PAD SIZE	A	B	C	D	E	F	G	H	J	K	L	M UNC-2B
W27-8	W25-8	0.5	0.5	46.0	54.1	17.48	38.10	36.1	16.00	25.40	11.8	21.3	SCHEDULE40 ONLY	8.7	5/16-18
W27-12	W25-12	0.75	0.75	50.0	65.0	22.23	47.63	36.1	18.03	31.75	15.6	26.7		10.3	3/8-16
W27-16	W25-16	1.0	1.0	55.1	69.9	26.19	52.45	38.1	18.03	39.62	20.8	33.4		10.3	3/8-16
W27-20	W25-20	1.25	1.25	68.1	79.2	30.18	54.15	40.9	21.08	44.45	29.5	42.2		11.9	7/16-14
W27-24	W25-24	1.5	1.5	78.0	93.0	35.71	69.85	43.9	24.89	53.72	34.0	48.3		13.5	1/2-13
W27-32	W25-32	2.0	2.0	89.9	101.6	42.88	77.77	45.0	24.89	63.25	42.9	60.3		13.5	1/2-13
W27-40	W25-40	2.5	2.5	103.9	114.0	50.80	88.90	50.0	24.89	76.07	54.0	73.0		13.5	1/2-13
W27-48	W25-48	3.0	3.0	124.0	134.1	61.93	106.38	50.0	26.92	91.82	66.7	88.9		16.7	5/8-11

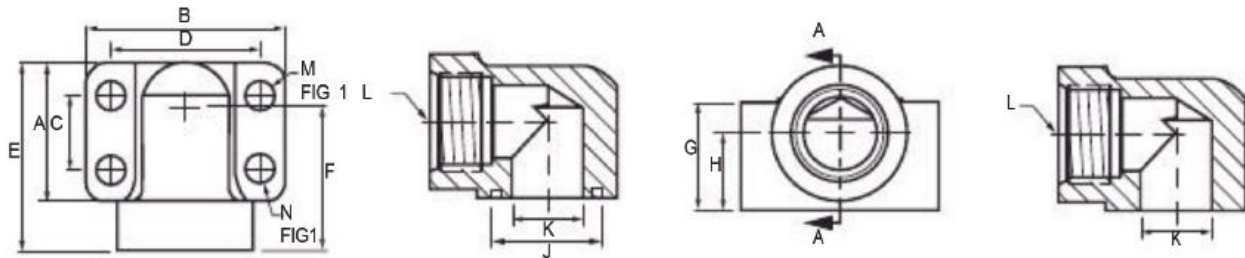


Figure 1

Figure 2

CODE 61 ELBOW SAE STRAIGHT THREAD

PART NO. O-RING FIG.1	PART NO. O-RING FIG.2	PIPE SIZE	A	B	C	D	E	F	G	H	J	K	L UNC-2B	M	N UNC-2B
W164-12-12	W165-12-12	0.75	47.9	65.0	22.23	47.63	57.9	36.6	31.8	22.2	31.75	19.10	1-1/16-12	10.3	3/8-16
W164-16-16	W165-16-16	1.0	49.3	69.9	26.19	52.37	66.5	42.2	38.1	27.0	39.62	25.45	1-5/16-12	10.3	3/8-16
W164-20-20	W165-20-20	1.25	55.6	79.2	30.18	58.72	76.2	48.5	46.0	30.2	44.45	31.80	1-5/8-12	11.9	7/16-14
W164-24-24	W165-24-24	1.5	65.0	93.7	35.71	69.85	89.6	52.1	50.8	33.3	53.72	38.15	1-7/8-12	13.5	1/2-13
W164-32-32	W165-32-32	2.0	77.7	110.0	42.88	77.77	96.8	57.9	63.5	42.1	37.85	50.85	2-1/2-12	13.5	1/2-13

CODE 61 ELBOW NPTF THREAD

PART NO. O-RING FIG.1	PART NO. O-RING FIG.2	PIPE SIZE	A	B	C	D	E	F	G	H	J	K	L NPTF	M	N UNC-2B
W168-12-12	W170-12-12	0.75	42.9	65.0	22.23	47.63	57.9	36.6	31.8	22.2	31.75	19.10	3/4-14	10.3	3/8-16
W168-16-16	W170-16-16	1.0	49.3	69.9	26.19	52.37	66.5	42.2	38.1	27.0	39.62	25.45	1-11/2	10.3	3/8-16
W168-20-20	W170-20-20	1.25	55.6	79.2	30.18	58.72	76.2	48.5	46.0	30.2	44.45	31.80	1-1/4-11-1/2	11.9	7/16-14
W168-24-24	W170-24-24	1.5	65.0	93.7	35.71	69.85	84.6	52.1	50.8	33.3	53.72	38.15	1-1/2-11-1/2	13.5	1/2-13
W168-32-32	W170-32-32	2.0	77.7	110.0	42.88	77.77	96.8	57.9	63.5	42.1	63.25	50.85	2-11/2	13.5	1/2-13

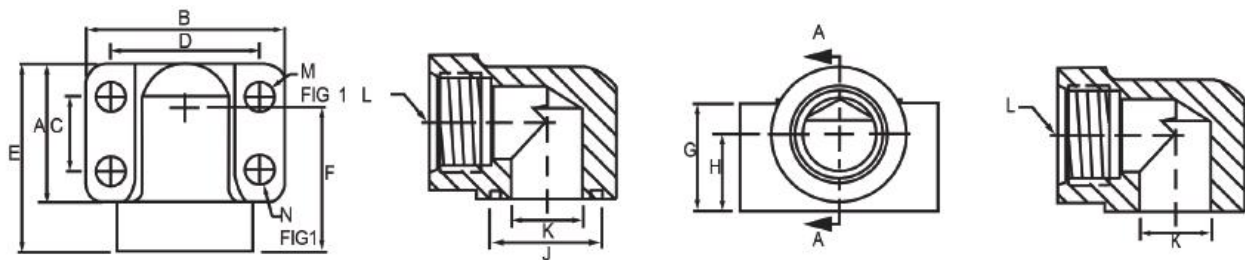


Figure 1

Figure 2

CODE 62 ELBOW SAE STRAIGHT THREAD

PART NO. O-RING FIG.1	PART NO. O-RING FIG.2	PIPE SIZE	A	B	C	D	E	F	G	H	J	K	L UNC-2B	M	N UNC-2B
W184-12-12	W185-12-12	0.75	49.3	69.9	23.80	50.80	66.5	42.2	38.1	27.0	31.75	19.10	1-1/16-12	10.3	3/8-16
W184-16-16	W185-16-16	1.0	55.6	79.2	27.76	27.76	76.2	48.5	46.0	30.2	39.62	25.45	1-5/16-12	12.5	7/16-14
W184-20-20	W185-20-20	1.25	65.0	93.7	31.75	31.75	84.3	52.1	50.8	33.3	44.45	31.80	1-5/8-12	13.5	1/2-13
W184-24-24	W185-24-24	1.5	77.7	110.0	36.50	36.50	96.8	57.9	63.5	42.1	53.72	38.15	1-7/8-12	16.7	5/8-11

CODE 62 ELBOW NPTF THREAD

PART NO. O-RING FIG.1	PART NO. O-RING FIG.2	PIPE SIZE	A	B	C	D	E	F	G	H	J	K	L NPTF	M	N UNC-2B
W188-12-12	W180-12-12	0.75	49.3	69.9	23.80	50.80	66.5	42.2	38.1	27.0	31.75	19.10	3/4-14	10.3	3/8-16
W188-16-16	W180-16-16	1.0	55.6	79.2	27.76	57.15	76.2	48.5	46.0	30.2	39.62	25.45	1-11/2	12.5	7/16-14
W188-20-20	W180-20-20	1.25	65.0	93.7	31.75	66.68	84.3	52.1	50.8	33.3	44.45	31.80	1-1/4-11-1/2	13.5	1/2-13
W188-24-24	W180-24-24	1.5	77.7	110.0	36.50	79.38	96.8	57.9	63.5	42.1	53.72	38.15	1-1/2-11-1/2	16.7	5/8-11

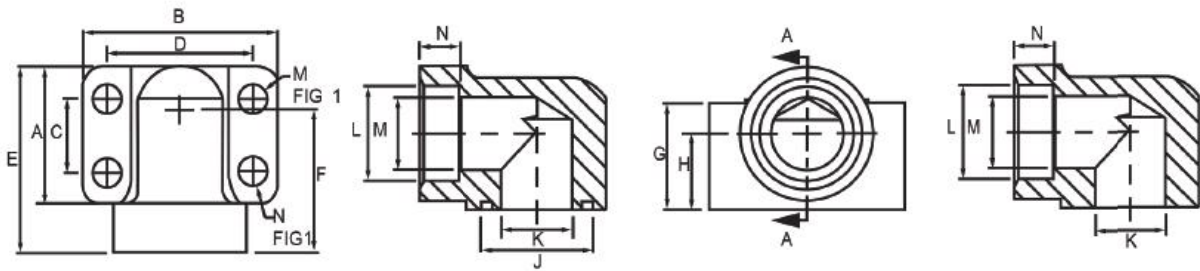


Figure 1

Figure 2

PART NO. O-RING FIG.1	PART NO. FLAT FACE FIG.2	PAD SIZE	A	B	C	D	E	F	G	H	J	K	L	M	N	P	M UNC-2B
CODE 61 ELBOW SOCKET WELD																	
W176-12-12	W169-12-12	0.75	42.9	65.0	22.23	47.63	57.9	36.6	31.8	22.2	31.75	19.10	26.97	19.1	14.22	10.3	3/8-16
W176-16-16	W169-16-16	1.0	49.3	69.9	26.19	52.37	66.5	42.2	38.1	27.0	39.62	25.45	33.73	25.4	14.22	10.3	3/8-16
W176-20-20	W169-20-20	1.25	55.6	79.2	30.18	58.72	76.2	48.5	46.0	30.2	44.45	31.80	42.47	31.8	15.75	11.9	7/16-14
W176-24-24	W169-24-24	1.5	65.0	93.7	35.71	69.85	84.6	52.1	50.8	33.3	53.72	38.15	48.82	38.1	17.53	13.5	1/2-13
W176-32-32	W169-32-32	2.0	77.7	110.0	42.88	77.77	96.8	57.9	63.5	42.1	63.25	50.85	61.11	50.8	19.05	13.5	1/2-13
CODE 61 ELBOW SOCKET WELD																	
W172-12-12	W177-12-12	0.75	42.9	65.0	22.23	47.63	57.9	36.6	31.8	22.2	31.75	19.10	19.10	15.9	7.92	10.3	3/8-16
W172-16-12	W177-16-12	0.75	42.9	65.0	22.23	47.63	57.9	36.6	31.8	22.2	31.75	19.10	25.45	19.1	11.13	10.3	3/8-16
W172-16-16	W177-16-16	1.0	49.3	69.9	26.19	52.37	66.5	42.2	38.1	27.0	39.62	25.45	25.45	22.2	11.13	10.3	3/8-16
W172-20-16	W177-20-16	1.0	49.3	69.9	26.19	52.37	66.5	42.2	38.1	27.0	39.62	25.45	31.80	25.4	12.70	10.3	3/8-16
W172-20-20	W177-20-20	1.25	55.6	79.2	30.18	58.72	76.2	48.5	46.0	30.2	44.45	31.80	31.80	28.6	12.70	11.9	7/16-14
W172-24-20	W177-24-20	1.25	55.6	79.2	30.18	58.72	76.2	48.5	46.0	30.2	44.45	31.80	38.15	31.8	14.27	11.9	7/16-14
W172-24-24	W177-24-24	1.5	65.0	93.7	35.71	69.85	84.6	52.1	50.8	33.3	53.72	38.15	38.15	34.9	14.27	13.5	1/2-13
W172-28-24	W177-28-24	1.5	65.0	93.7	35.71	69.85	84.6	52.1	50.8	33.3	53.72	38.15	44.50	38.1	14.27	13.5	1/2-13
W172-32-32	W177-32-32	2.0	77.7	110.0	42.88	77.77	96.8	57.9	63.5	42.1	63.25	50.85	50.85	47.6	15.88	13.5	1/2-13
W172-36-32	W177-36-32	2.0	77.7	110.0	42.88	77.77	96.89	57.9	63.5	42.1	63.25	50.85	57.2	50.8	15.88	13.5	1/2-13



CANGZHOU QC HYDRAULICS CO., LTD

SAE J514 STAINLESS STEEL HYDRAULIC ADAPTERS

QC HYDRAULICS IS A STAINLESS STEEL MANUFACTURER



Tianzhuangzi Village, Zhifangtou Township, Cang County,
Cangzhou City, Hebei Province, China.

E-mail: info@qchydraulics.com

Tel: +86-317-4953899

Fax: +86-317-4953796

Website: <http://www.qchydraulics.com/>